

Drawing



Tools for Chefs

Hendi B.V.
Steenoven 21
3911 TX Rhenen
The Netherlands

Batch #

000000 and up

Appliance part#

240441

Description

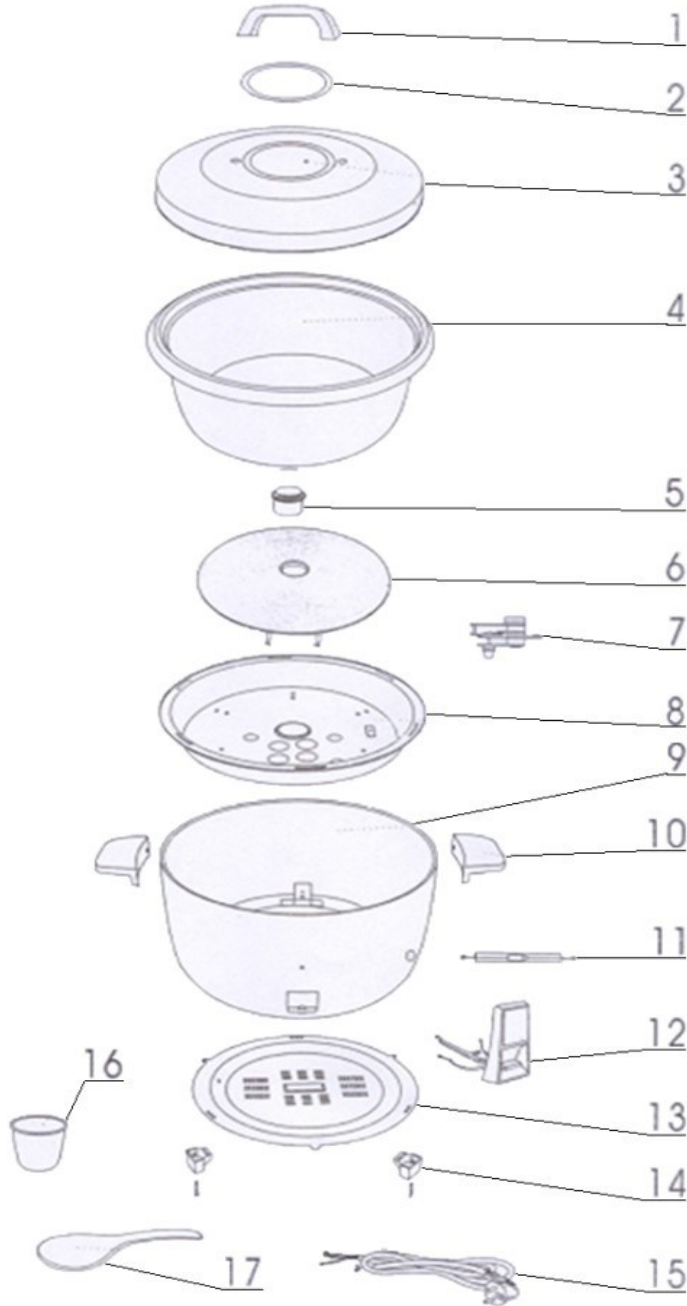
Rice steamer 4.2L

Date 15-06-2021


Revision #

1.0

Revision First Bill of Materials (BOM)



Bill of materials (BOM)

 <b style="font-size: 24px; margin-left: 10px;">HENDI <small style="color: green; margin-left: 10px;">Tools for Chefs</small> Hendi B.V. Steenoven 21 3911 TX Rhenen The Netherlands	Batch #	Appliance part#
	000000 and up	240441
	Description	
	Rice steamer 4.2L	


Date	15-06-2021	Revision #	1.0
Revision	First Bill of Materials (BOM)		

Item	Description	Part#	Quantity	Remark	Picture
1	Handle lid	959978	1		
2	Lid cover	n/a	1		
3	Lid	n/a	1	Incl item 1 and 2	
4	Aluminum pot	960059	1		
5	Thermo switch (magnetic)	960066	1		
6	Heating element	960073	1		
7	Thermostat	960080	1		
8	Mounting bracket	n/a	1		
9	Housing	n/a	1		
10	Handle	959985	2	Set of 2 pcs	
11	Thermal fuse	960042	1		
12	Switch (complete set)	960097	1		
13	Housing cover	n/a	1		
14	Feet	960127	3	Set of 3 pcs	
15	Power cord	n/a	1		
16	Measuring cup	959992	1		
17	Spoon	n/a	1		

n/a -> not available

nss -> not sold separately

Circuit diagram

 HENDI Tools for Chefs Hendi B.V. Steenoven 21 3911 TX Rhenen The Netherlands	Batch #	Appliance part#
	000000 and up	240441
	Description	
	Rice steamer 4.2L	

Date	15-06-2021	Revision #	1.0
Revision	First Bill of Materials (BOM)		

