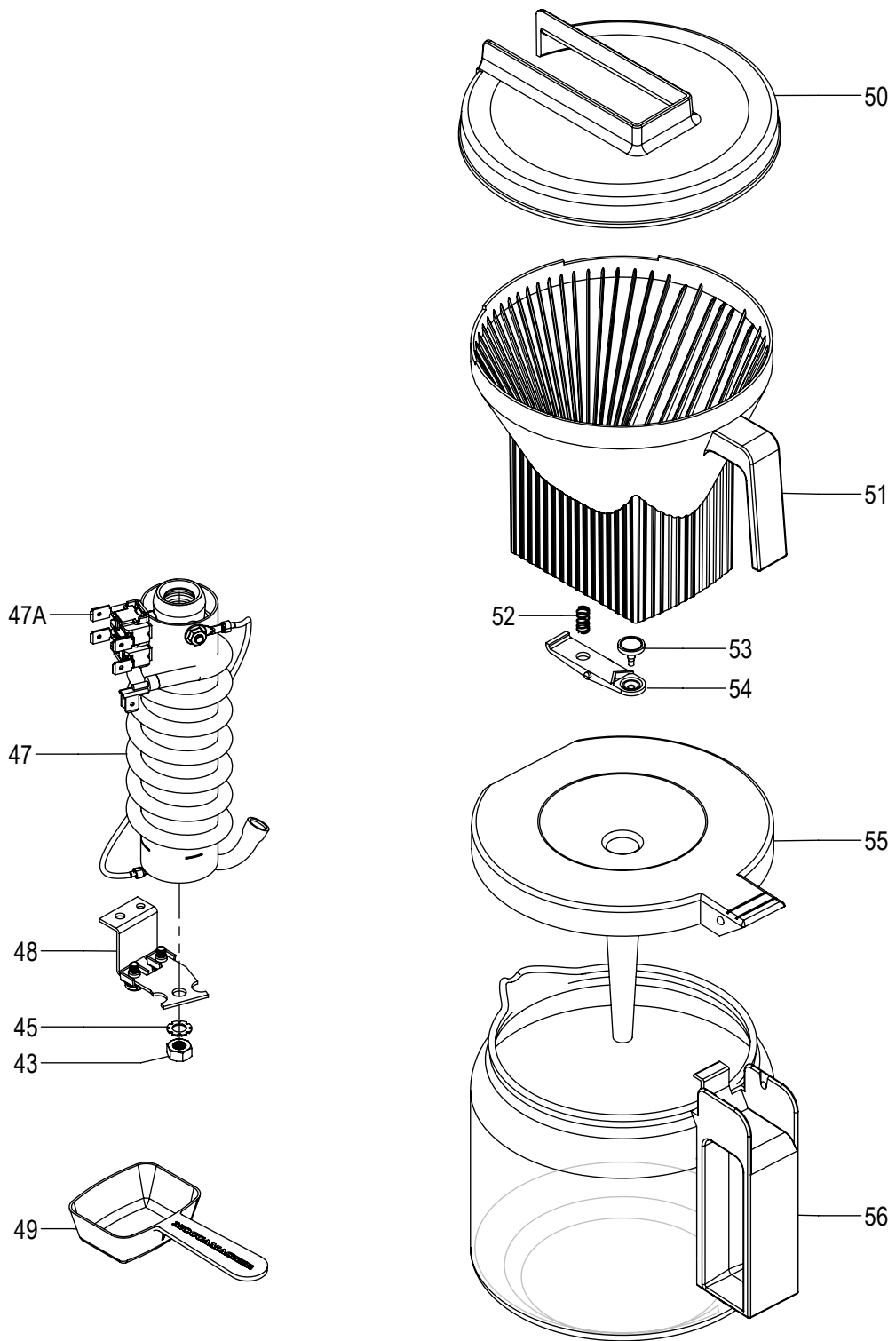

 AMERONGEN - NETHERLANDS	name	KBG741 AO	
	type		
	date	28-11-2013	
	drawn	SB	check
	format	A4	page 1/2
	draw. no.	596**	
	revision		



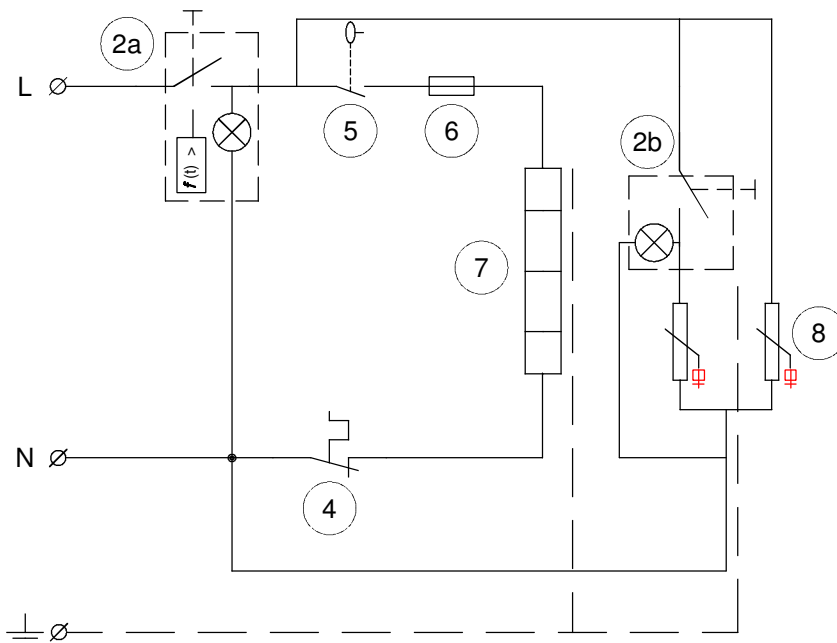
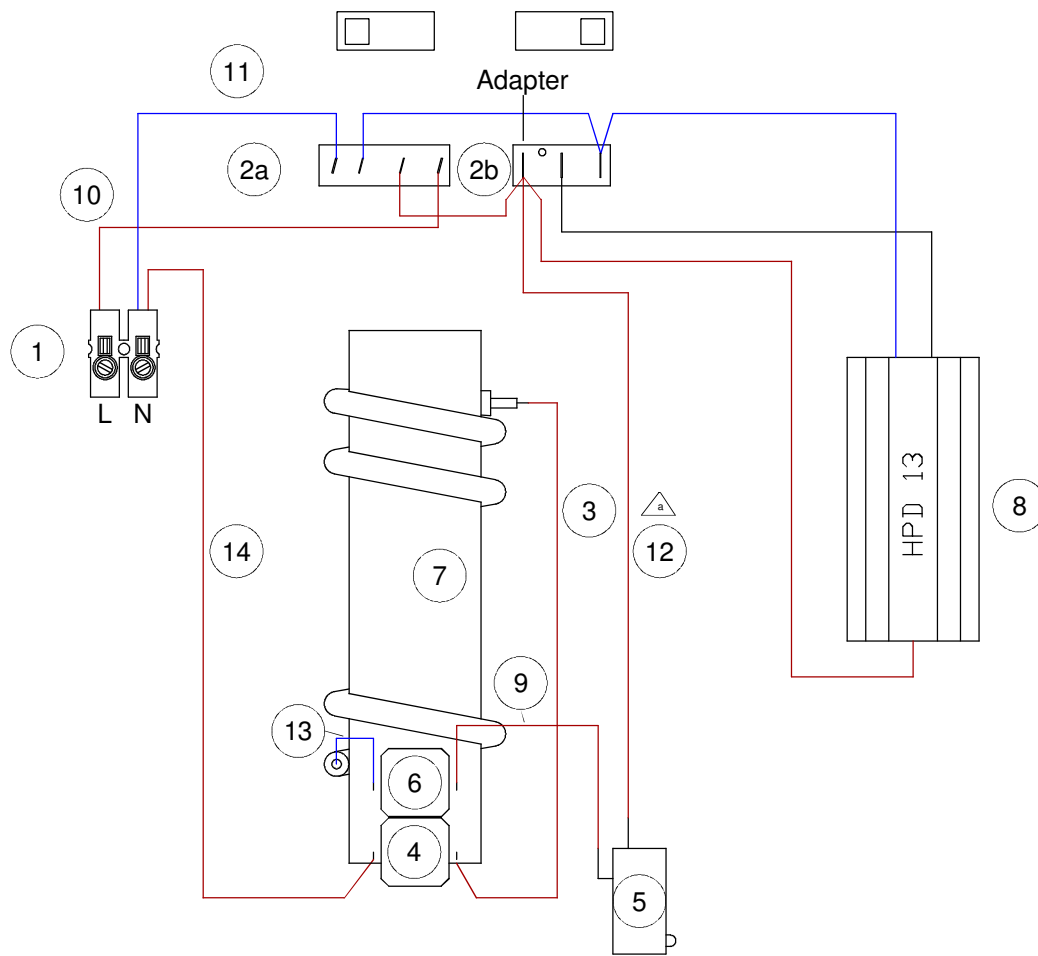
 AMERONGEN - NETHERLANDS	name	KBG741 AO	
	type		
	date	28-11-2013	
	drawn	SB	check
	format	A4	page 2/2
	draw. no.	596**	
	revision		

SPARES LIST FOR KBG(C) 741 AO

Item	Description	Code
001	Outletpipe, 9 holes, stainless steel (incl. 003)	53053
002	Rubber adapter	60015
003	Rubber closing pad	63011
004	Floathood	54131
005	Float	12235
006	Screw, 4,2x16, stainless steel, torx	70032
007	Rubber sealing washer	61190
008	Lid coldwater container	13012
009	Coldwater container, 1,25 Ltr.	11010
010A	Barrier (CSA US)	11305
010B	Fixationbracket	56601
011	Glass tube, 168,5 mm	31110
012	Switching pawl	54155
013	Tightening socket	12220
014	Fixingplate microswitch	54151
015	Screw, M3x16	73000
016	Microswitch assembly (incl. 014-016)	43341
L	Microswitch 16 Amp	43340
L	Microswitch assembly (CSA US) (incl. 014-016)	43331
L	Microswitch 16 Amp (CSA US)	43330
017	Screw, 2,9x6,5	73050
018	Rubber tube, 185 mm	60095
019	Handle left, with feet (incl. 025)	11716
L	Handle left, with feet (incl. 025) (CSA US)	11706
020	Housing, 184 mm	*****
021	Sealing ring, black	11405
022	Supply cord, 3x0,75mm ²	44018
L	Supply cord, 3x1,5 ENG	44064
L	Supply cord, 3x0,75mm ² AUS	44042
L	Supply cord, 2x1,25mm ² Japan	44008
L	Supply cord, 3x16 Awg (CSA US)	44026
023	Base 741 AO, 2 switches, with or without calc.	*****
024	Screw, 2,9x19	70065
025	Rubber foot	61150
026	Blockterminal 2-pole	46060
L	Blockterminal 2-pole (CSA US)	46075
027	Cord anchorage	78175
L	Cord anchorage (CSA US)	78177
028	Screw, 3,5x13	70055
029	Switch Tippmatic 120 V (AO) (small adapter)	43019
L	Switch Tippmatic 250 V (AO) (small adapter)	43020
L	Switch Tippmatic 120 V (AO) (large adapter)	43119
L	Switch Tippmatic 250 V (AO) (large adapter)	43125
030	Switch hotplate 120V, illuminated (small adapter)	43023
L	Switch hotplate 120V, non illuminated (large adapter)	43116
L	Switch hotplate 250V, illuminated (small adapter)	43021
L	Switch hotplate 250V, illuminated (large adapter)	43121

SPARES LIST FOR KBG(C) 741 AO

Item	Description	Code
031	Indicating lens, red	43671
032	Signal lamp	43670
033	Screw, 4,2x19 + lock washer	70081
034	Screw, M3x6 + lock washer	73031
035	Fastener, 2x9mm	78250
036	Bottom plate	11345
L	Bottom plate (CSA US)	11346
037	Screw, M3x6	71060
038	Filterbracket, assembled	12602
039	Screw, s40x30	71160
040	Hotplate, oven enamelled, black	52064
041	Hotplate-support	11415
042	Aluminum disk	55410
043	PTC hotplate element HPD13-2/24	41245
L	PTC hotplate element (CSA US)	41244
044	Tightening spring hotplate element	56976
045	Nut, M6	72035
046	Earth clip, M6	78151
047	Lock washer, M6	74025
048	Handle right, with feet (incl. 025)	11715
L	Handle right, with feet (incl. 025) (CSA US)	11705
049	Boiling element, 1450W/230V	45149
L	Boiling element, 1400W/120V	45113
049A	Thermostat/Thermofuse combination 145C	46265
050	Element bracket, assembly	51459
051	Measuring spoon	88104
052	Lid filter holder	13112
053	Filter holder, assembly (incl. 052-054)	13252
L	Filter holder	13250
054	Spring	56977
055	Rubber closing pad	60070
056	Closing arm	11980
057	Lid jug	13360
058	Glass jug, 1,25 Ltr.	30201



**TECHNI
VORM**
MOCCAMASTER

Industrieweg 20 P.O. box 34
3958 VR AMERONGEN 3958 ZT AMERONGEN
Tel: (0343) 453161 Mail: technivorm@tref.nl
Fax: (0343) 454685 www.technivorm.com

drawn by	EW	date	13-10-2006	revision / modification
checked by	FW	date	13-10-2006	a draad 12 gewijzigd 28-10-11
format	A4	sheet	1 of 2	b
remark	timer switch 40 min.			c

drawing name
741

drawing number
74180