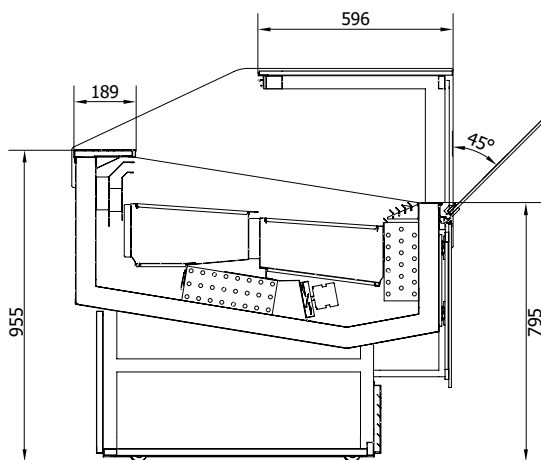
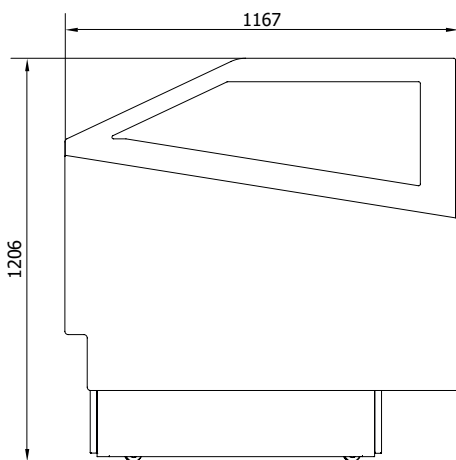




# Aura Series

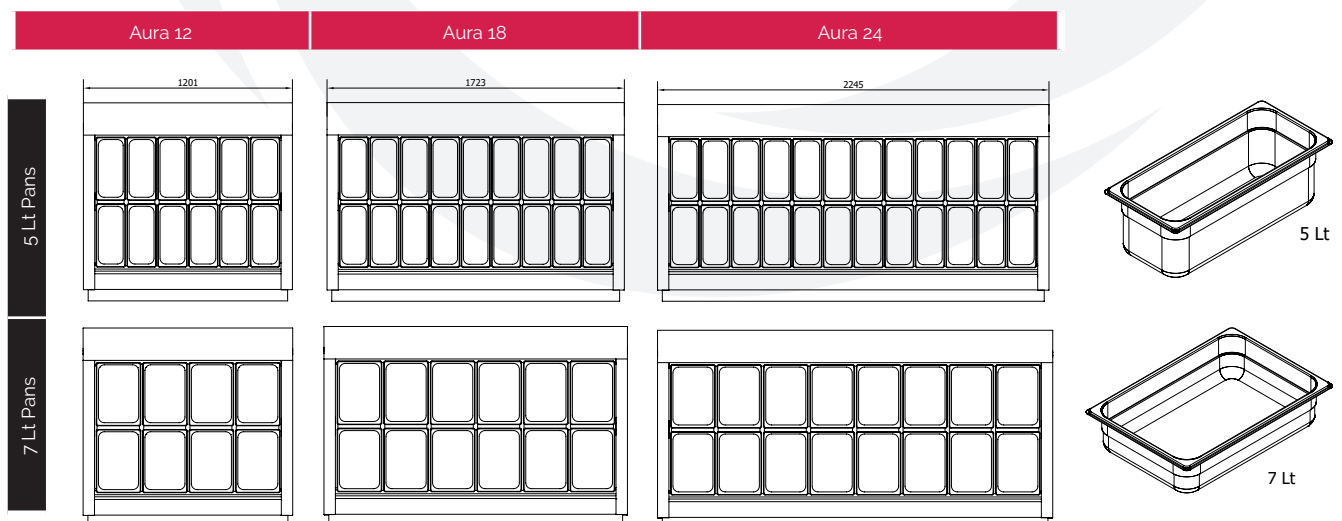
Aura 12 | Aura 18 | Aura 24



- Double evaporator and semi-hermetic compressor
- Automatic defrosting feature
- One-piece structure with ecological polyurethane insulation (HCFC & HFC free) with 60 mm thickness and 43 Kg/m<sup>3</sup>
- Electronic control board and digital thermometer
- Double laminated glass with built-in resistance for high humidity condensation
- Tilt-down front access with glazed glass up to 45° angle for easy routine maintenance and cleaning procedure
- Energy efficiency with sliding plexiglas doors
- Interior and exterior LED illuminations
- Special components' drawer design for easy access and maintenance

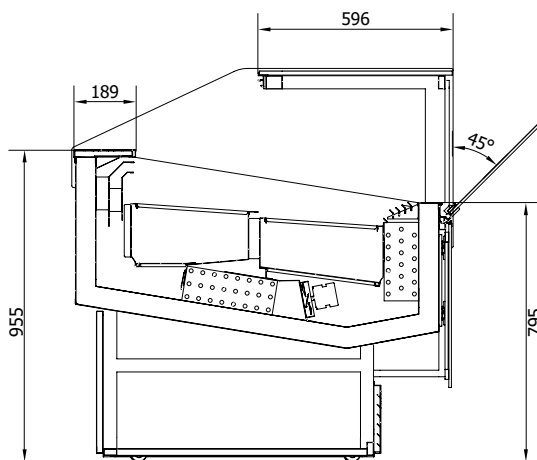
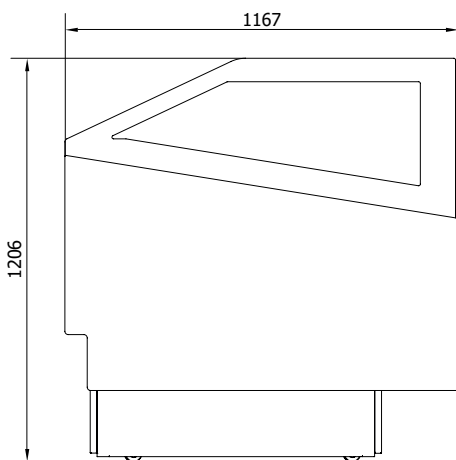
Features	Aura 12	Aura 18	Aura 24
Dimension mm	1201 x 1167 x 1206	1723 x 1167 x 1206	2245 x 1167 x 1206
Pan Capacity Lt	12 x 5 lt - 8 x 7 lt	18 x 5 lt - 12 x 7 lt	24 x 5 lt - 16 x 7 lt
Power Consumption (Standard) W	1850 W	2400 W	3300 W
Power Consumption (Defrost) W	2200 W	2800 W	5300 W
Refrigerant	R404a / R449a	R404a / R449a	R404a / R449a
Operation Temperature °C	-2 / -22 °C	-2 / -22 °C	-2 / -22 °C
Power Supply	400 V / 3 Ph / 50 Hz	400 V / 3 Ph / 50 Hz	400 V / 3 Ph / 50 Hz
Compressor Type	Semi-hermetic	Semi-hermetic	Semi-hermetic
Defrost	Automatic + Manual	Automatic + Manual	Automatic + Manual
Defrost Type	Hot Gas	Hot Gas	Hot Gas

- Available for cake display
- Cooling capacity is dependent on the ambient conditions
- Crystal is entitled to modify all parts without notice anytime if necessary



# Aura EC<sup>U</sup> Series

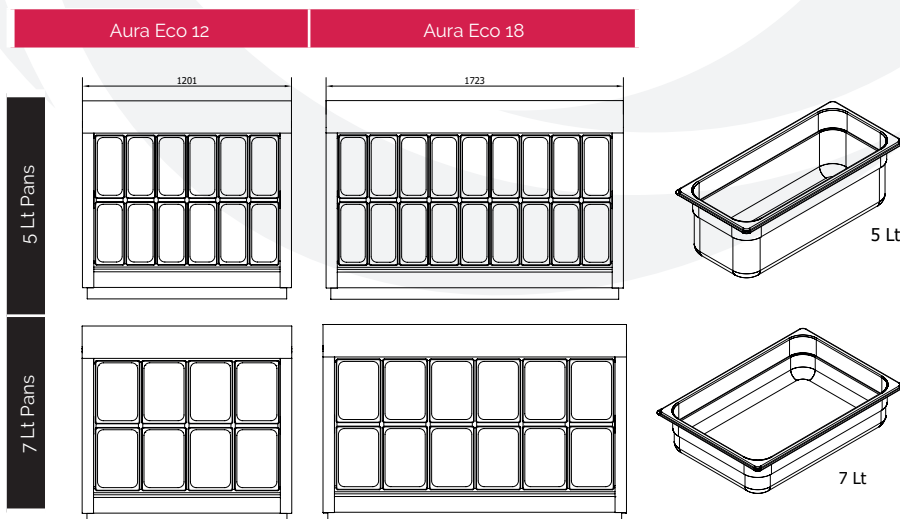
Aura Eco 12 | Aura Eco 18



- Gelato showcase with double evaporator and ventilation available in 2 capacities
- Smooth and silent operation with low energy consumption hermetic compressor
- One-piece structure with ecological polyurethane insulation (HCFC & HFC free) with 60 mm thickness and 43 Kg/m<sup>3</sup>
- Electronic control board and digital thermometer
- Double laminated glass with built-in resistance for high humidity condensation
- Tilt-down front access with glazed glass up to 45° angle for easy routine maintenance and cleaning procedure
- Energy efficiency with sliding plexiglas doors
- Interior and exterior LED illuminations
- Special components' drawer design for easy access and maintenance

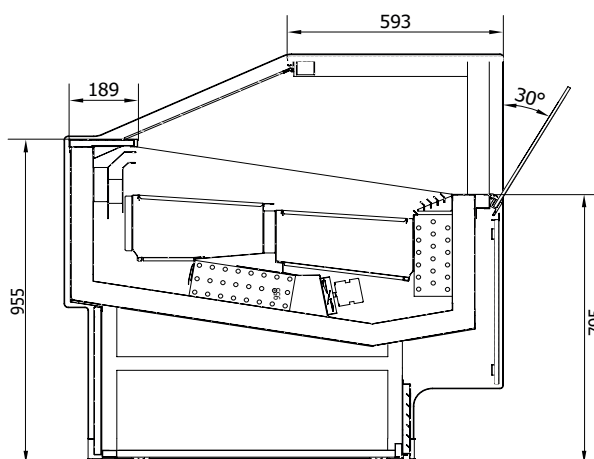
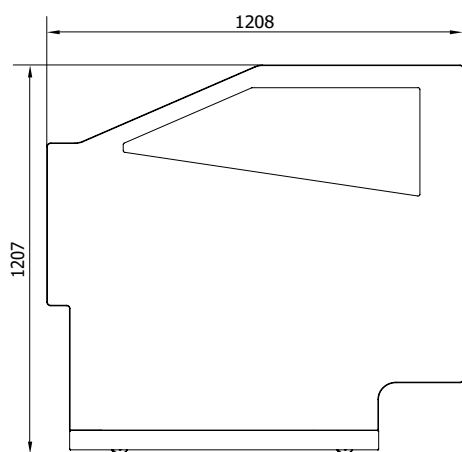
Features	Aura Eco 12	Aura Eco 18
Dimension mm	1201 x 1167 x 1206	1723 x 1167 x 1206
Pan Capacity Lt	12 x 5 lt - 8 x 7 lt	18 x 5 lt - 12 x 7 lt
Power Consumption (Standard) W	1800 W	2200 W
Refrigerant	R404a / R452a	R404a / R452a
Operation Temperature °C	-2 / -22 °C	-2 / -22 °C
Power Supply	220 V / 1 Ph / 50 Hz	220 V / 1 Ph / 50 Hz
Compressor Type	Hermetic	Hermetic

- Available for cake display
- Cooling capacity is dependent on the ambient conditions
- Crystal is entitled to modify all parts without notice anytime if necessary



# Nirvana Series

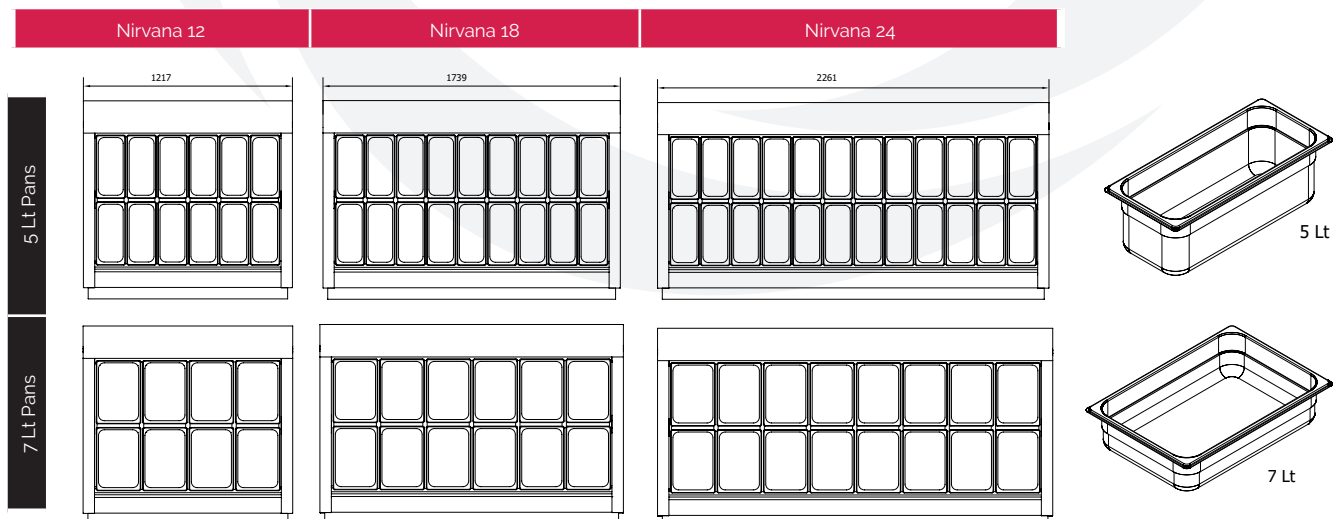
Nirvana 12 | Nirvana 18 | Nirvana 24



- Gelato showcase with double ventilation and all sides glass design available in 3 capacities
- Double evaporator and semi-hermetic compressor
- Automatic defrosting feature
- One-piece structure with ecological polyurethane insulation (HCFC & HFC free) with 60 mm thickness and 43 Kg/m<sup>3</sup>
- Electronic control board and digital thermometer
- Double laminated glass with built-in resistance for high humidity condensation
- Tilt-down front access with glazed glass up to 30° angle for easy routine maintenance and cleaning procedure
- Energy efficiency with sliding plexiglas doors
- Interior and exterior LED illuminations
- Special components' drawer design for easy access and maintenance

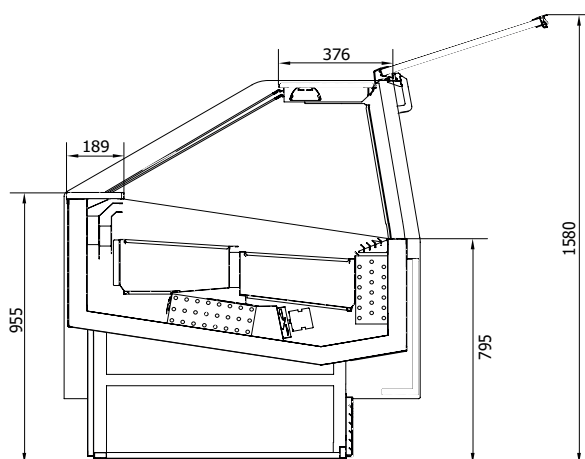
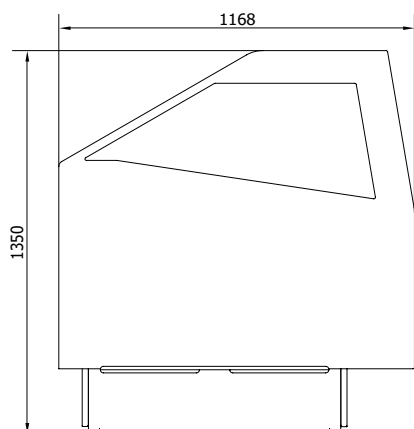
Features	Nirvana 12	Nirvana 18	Nirvana 24
Dimension mm	1217 x 1208 x 1207	1739 x 1208 x 1207	2261 x 1208 x 1207
Pan Capacity Lt	12 x 5 lt - 8 x 7 lt	18 x 5 lt - 12 x 7 lt	24 x 5 lt - 16 x 7 lt
Power Consumption (Standard) W	1850 W	2400 W	3300 W
Power Consumption (Defrost) W	2200 W	2800 W	5300 W
Refrigerant	R404a / R449a	R404a / R449a	R404a / R449a
Operation Temperature °C	-2 / -22 °C	-2 / -22 °C	-2 / -22 °C
Power Supply	400 V / 3 Ph / 50 Hz	400 V / 3 Ph / 50 Hz	400 V / 3 Ph / 50 Hz
Compressor Type	Semi-hermetic	Semi-hermetic	Semi-hermetic
Defrost	Automatic + Manual	Automatic + Manual	Automatic + Manual
Defrost Type	Hot Gas	Hot Gas	Hot Gas

- Available for cake display
- Cooling capacity is dependent on the ambient conditions
- Crystal is entitled to modify all parts without notice anytime if necessary



# Imperial Series

Imperial 12 | Imperial 18 | Imperial 24

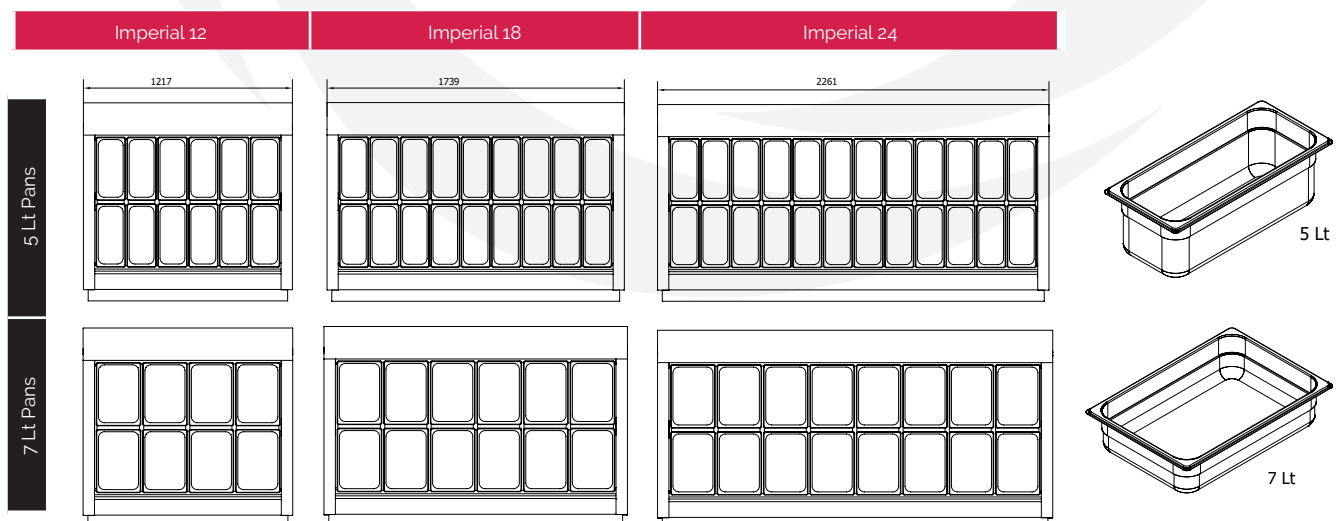




- Gelato showcase with double ventilation available in 3 capacities
- Double evaporator and semi-hermetic compressor
- One-piece structure with ecological polyurethane insulation (HCFC & HFC free) with 60 mm thickness and 43 Kg/m<sup>3</sup>
- Electronic control board and digital thermometer
- Double glazed tempered glass with built-in resistance for high humidity condensation
- Higher visibility with tilt-up front access glazed glass via hydraulic pistons
- Energy efficiency with sliding plexiglas doors
- Interior and exterior LED illuminations
- Special components' drawer design for easy access and maintenance

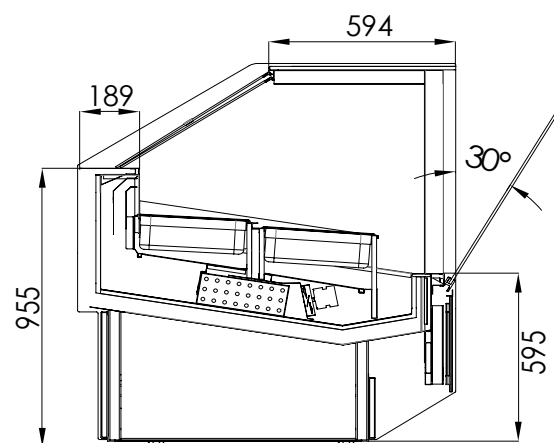
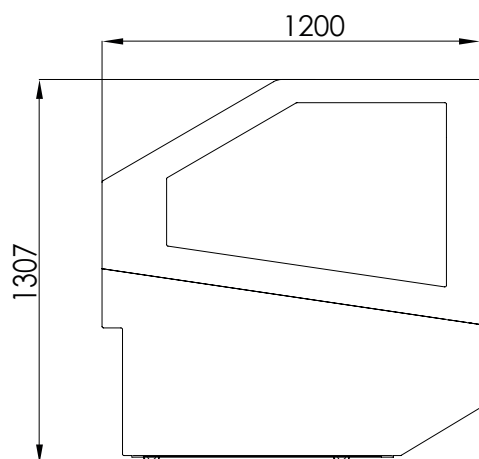
Features	Imperial 12	Imperial 18	Imperial 24
Dimension mm	1217 x 1168 x 1350	1739 x 1168 x 1350	2261 x 1168 x 1350
Pan Capacity Lt	12 x 5 lt - 8 x 7 lt	18 x 5 lt - 12 x 7 lt	24 x 5 lt - 16 x 7 lt
Power Consumption (Standard) W	1850 W	2400 W	3300 W
Power Consumption (Defrost) W	2200 W	2800 W	5300 W
Refrigerant	R404a / R449a	R404a / R449a	R404a / R449a
Operation Temperature °C	-2 / -22 °C	-2 / -22 °C	-2 / -22 °C
Power Supply	400 V / 3 Ph / 50 Hz	400 V / 3 Ph / 50 Hz	400 V / 3 Ph / 50 Hz
Compressor Type	Semi-hermetic	Semi-hermetic	Semi-hermetic
Defrost	Automatic + Manual	Automatic + Manual	Automatic + Manual
Defrost Type	Hot Gas	Hot Gas	Hot Gas

- Available for cake display
- Cooling capacity is dependent on the ambient conditions
- Crystal is entitled to modify all parts without notice anytime if necessary



# Amara Series

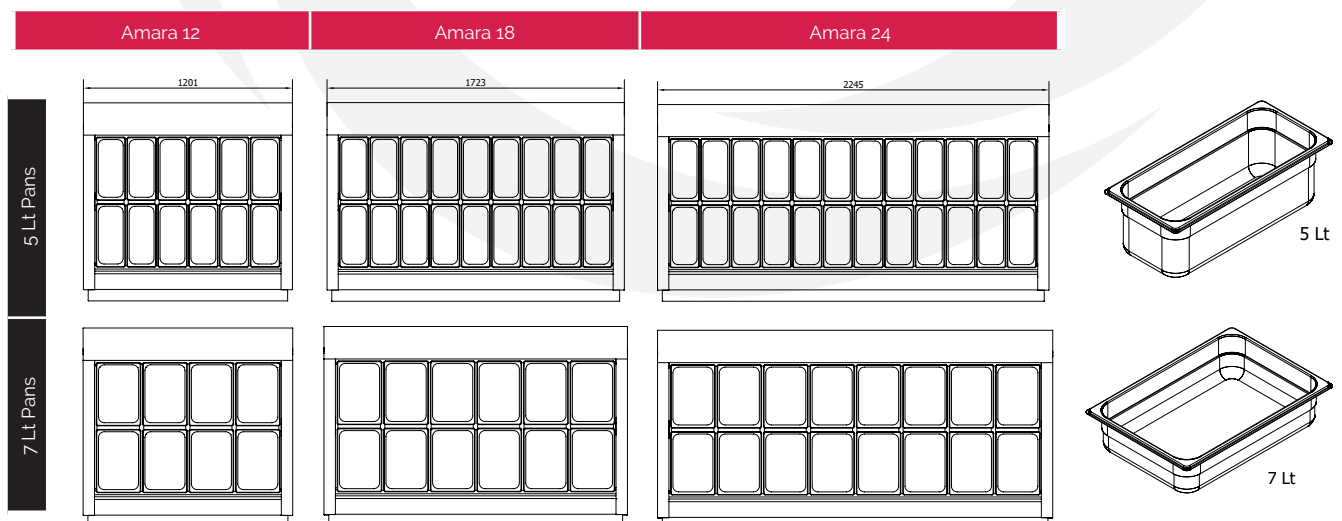
Amara 12 | Amara 18 | Amara 24



- Wide and deep range of view
- Semi-hermetic compressor and automatic defrosting feature
- One-piece structure with ecological polyurethane insulation (HCFC & HFC free) with 60 mm thickness and 43 Kg/m<sup>3</sup>
- Electronic control board and digital thermometer
- Double laminated glass with built-in resistance for high humidity condensation
- Tilt-down front access with glazed glass up to 30° angle for easy routine maintenance and cleaning procedure
- Energy efficiency with sliding plexiglas doors
- Interior and exterior LED illuminations
- Special components' drawer design for easy maintenance

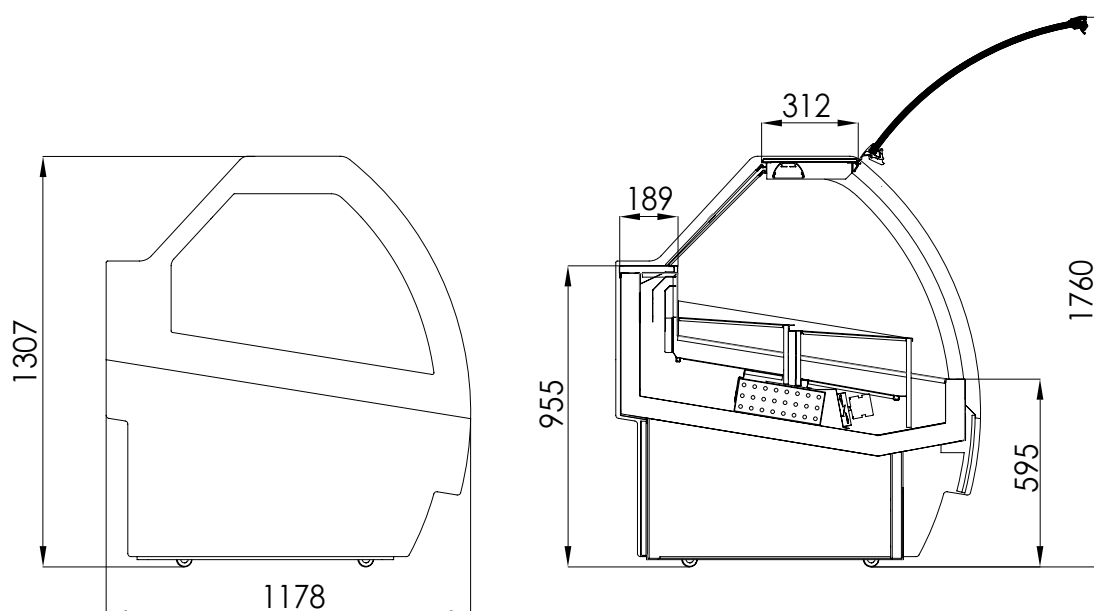
Features	Amara 12	Amara 18	Amara 24
Dimension mm	1201 x 1200 x 1307	1723 x 1200 x 1307	2245 x 1200 x 1307
Pan Capacity Lt	12 x 5 lt - 8 x 7 lt	18 x 5 lt - 12 x 7 lt	24 x 5 lt - 16 x 7 lt
Power Consumption (Standard) W	1850 W	2400 W	3300 W
Power Consumption (Defrost) W	2200 W	2800 W	5300 W
Refrigerant	R404a / R449a	R404a / R449a	R404a / R449a
Operation Temperature °C	-2 / -22 °C	-2 / -22 °C	-2 / -22 °C
Power Supply	400 V / 3 Ph / 50 Hz	400 V / 3 Ph / 50 Hz	400 V / 3 Ph / 50 Hz
Compressor Type	Semi-hermetic	Semi-hermetic	Semi-hermetic
Defrost	Automatic + Manual	Automatic + Manual	Automatic + Manual
Defrost Type	Hot Gas	Hot Gas	Hot Gas

- Available for cake display
- Cooling capacity is dependent on the ambient conditions
- Crystal is entitled to modify all parts without notice anytime if necessary



# Prime Series

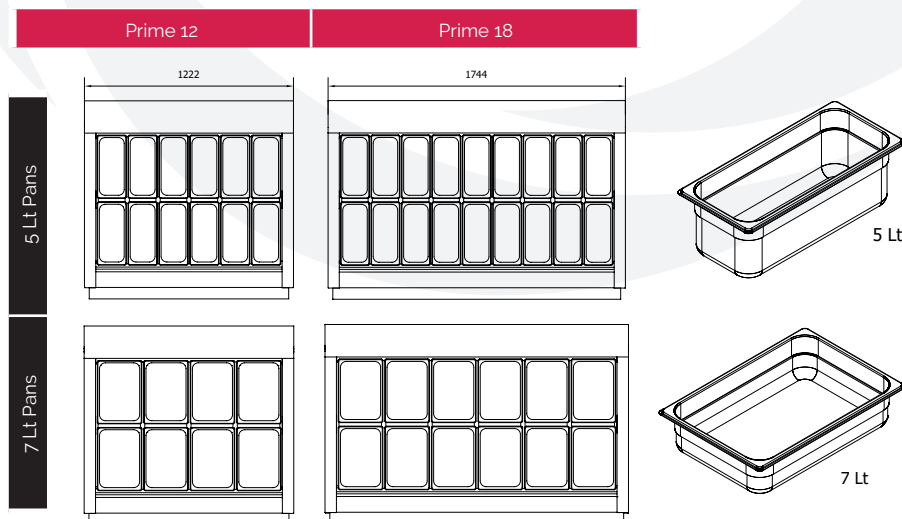
Prime 12 | Prime 18



- Wide and deep range of view
- Semi-hermetic compressor and automatic defrosting feature
- One-piece structure with ecological polyurethane insulation (HCFC & HFC free) with 60 mm thickness and 43 Kg/m<sup>3</sup>
- Electronic control board and digital thermometer
- Double glazed tempered curved glass with built-in resistance for high humidity condensation
- Tilt-up parabolic double glazed glass via hydraulic pistons
- Aesthetic design with curved front access for higher visibility
- Energy efficiency with sliding plexiglas doors
- Interior and exterior LED illuminations
- Special components' drawer design for easy access and maintenance

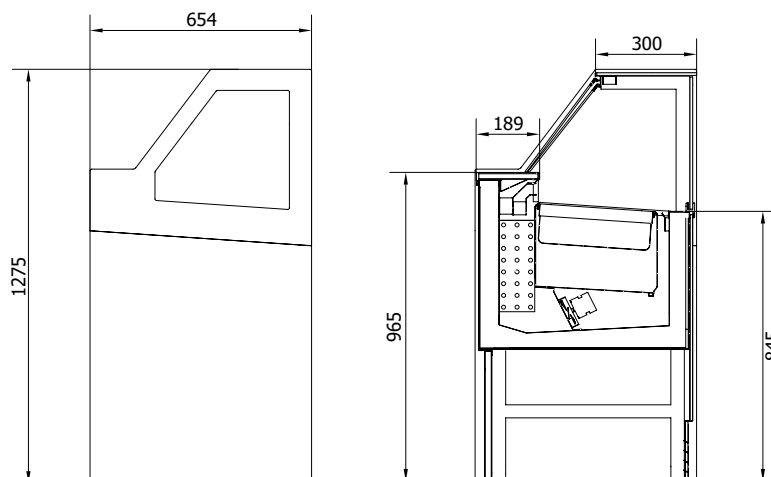
Features	Prime 12	Prime 18
Dimension mm	1222 x 1178 x 1307	1744 x 1178 x 1307
Pan Capacity Lt	12 x 5 lt - 8 x 7 lt	18 x 5 lt - 12 x 7 lt
Power Consumption (Standard) W	1850 W	2400 W
Power Consumption (Defrost) W	2200 W	2800 W
Refrigerant	R404a / R449a	R404a / R449a
Operation Temperature °C	-2 / -22 °C	-2 / -22 °C
Power Supply	400 V / 3 Ph / 50 Hz	400 V / 3 Ph / 50 Hz
Compressor Type	Semi-hermetic	Semi-hermetic
Defrost	Automatic + Manual	Automatic + Manual
Defrost Type	Hot Gas	Hot Gas

- Available for cake display
- Cooling capacity is dependent on the ambient conditions
- Crystal is entitled to modify all parts without notice anytime if necessary



# Slim Series

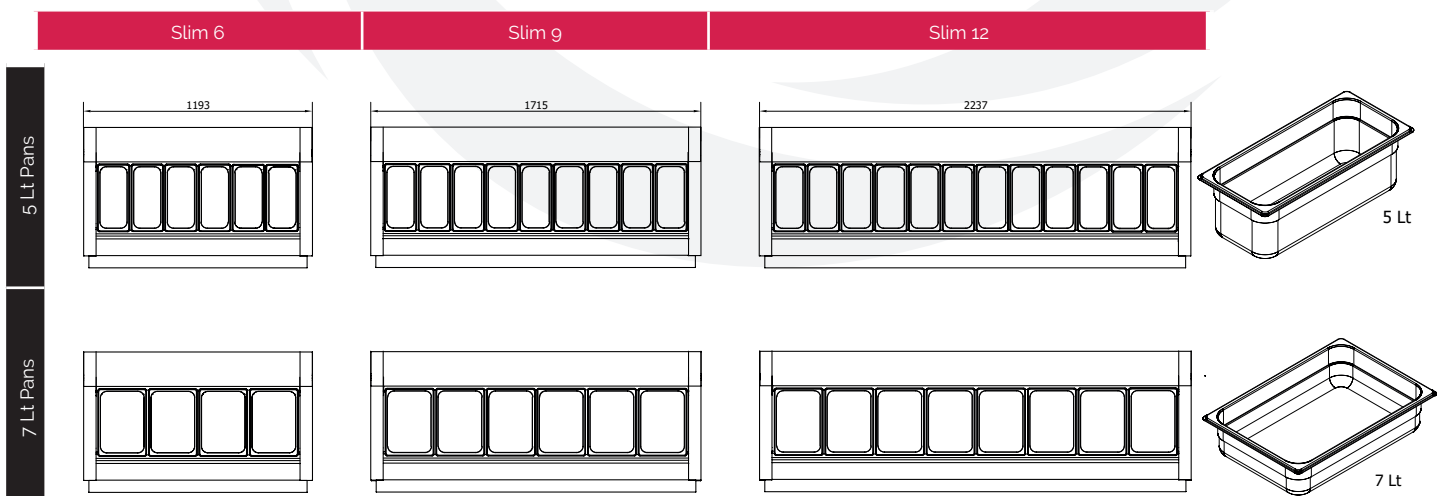
Slim 6 | Slim 9 | Slim 12



- Extra compact design with only 65 cm depth
- Ventilated gelato displays available in 3 capacities
- Automatic & manual defrosting features
- Electronic control board and digital thermometer
- One-piece structure with ecological polyurethane insulation (HCFC & HFC free) with 60 mm thickness and 43 Kg/m<sup>3</sup>
- Interior LED illuminations
- Energy efficiency with sliding plexiglas doors
- All sides glass with built-in resistance

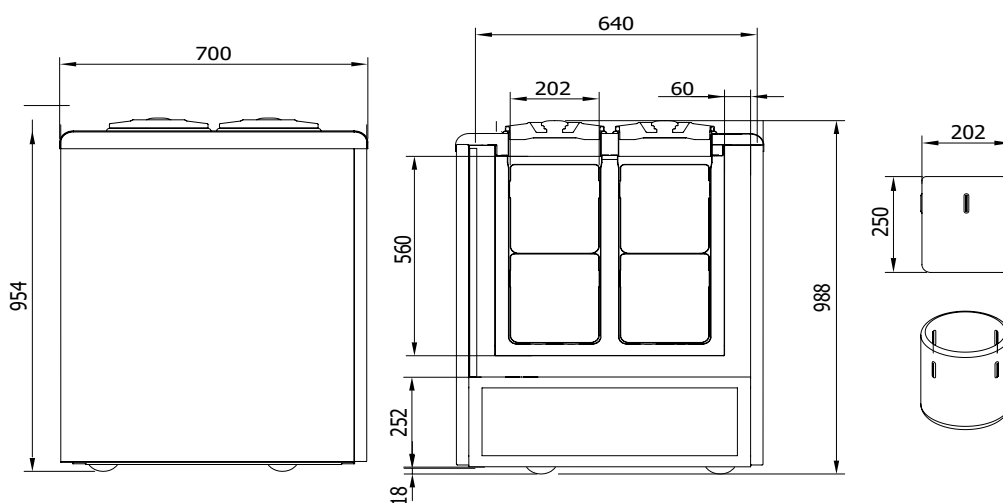
Features	Slim 6	Slim 9	Slim 12
Dimension mm	1193 x 654 x 1275	1715 x 654 x 1275	2237 x 654 x 1275
Pan Capacity Lt	6 x 5 lt - 4 x 7 lt	9 x 5 lt - 6 x 7 lt	12 x 5 lt - 8 x 7 lt
Power Consumption (Standard) W	1060 W	1440 W	1960 W
Power Consumption (Defrost) W	1550 W	2000 W	2540 W
Refrigerant	R404a / R452a	R404a / R452a	R404a / R452a
Operation Temperature °C	-2 / -22 °C	-2 / -22 °C	-2 / -22 °C
Power Supply	230 V / 1 Ph / 50-60 Hz	230 V / 1 Ph / 50-60 Hz	230 V / 1 Ph / 50-60 Hz
Compressor Type	Hermetic	Hermetic	Hermetic
Defrost	Automatic + Manual	Automatic + Manual	Automatic + Manual
Defrost Type	Hot Gas	Hot Gas	Hot Gas

- Cooling capacity is dependent on the ambient conditions
- Crystal is entitled to modify all parts without notice anytime if necessary



# Marash

Marash - S | Marash - G





- Individual container temperature control (Available in Marash-S series)
- Double container storage space
- Corian surface and touch screen user interface
- Cooling with glycol circulation (Available in Marash-G series)
- One-piece structure with ecological polyurethane insulation (HCFC & HFC free) with 60 mm thickness and 43 Kg/m<sup>3</sup>
- Electronic control board and digital thermometer
- Aesthetic design available in 5 capacities

Features	Marash 4	Marash 6	Marash 8	Marash 10	Marash 12
Dimension mm	1040 x 700 x 954	1290 x 700 x 954	1540 x 700 x 954	1790 x 700 x 954	2035 x 700 x 954
Pan Capacity Lt	8 x 10 Containers	12 x 10 Containers	16 x 10 Containers	20 x 10 Containers	24 x 10 Containers
Power Consumption (Standard) W	1200 W	1200 W	1500 W	1500 W	1500 W
Refrigerant	R404 / R449	R404 / R449	R404 / R449	R404 / R449	R 404 / R 449
Operation Temperature °C	-2 / -22 °C	-2 / -22 °C	-2 / -22 °C	-2 / -22 °C	-2 / - 22
Power Supply	220 V / 1 Ph /50 Hz	220 V / 1 Ph /50 Hz	220 V / 1 Ph /50 Hz	220 V / 1 Ph /50 Hz	220 V / 1 Ph /50 Hz
Compressor Type	Hermetic	Hermetic	Hermetic	Hermetic	Hermetic
Cooling Type	Glycol / Serpentine	Glycol / Serpentine	Glycol / Serpentine	Glycol / Serpentine	Glycol /Serpentine

- Cooling capacity is dependent on the ambient conditions
- Crystal is entitled to modify all parts without notice anytime if necessary

