

# PHILIPS

## Water Heater

Electrical

Instant

AWH1006/51(55LA)



## User manual

## Руководство пользователя



# TABLE OF CONTENTS




# EN

1. Buyer must-read	1	11. Electrical schematic diagrams	11
2. Product function	3	12. Packing list	11
3. Applicable water quality range	3	13. Service Life	11
4. Technical performance parameters	3	14. Disposal Rules	11
5. Name of parts	4	15. Guarantee & Service	11
6. Appearance and structure	4		
7. Product dimensions	5		
8. Installation and operation	5		
8.1 Precautions before installation	5		
8.2 Installation steps	6		
8.3 Method of use	8		
9. Maintenance	10		
10. Troubleshooting	10		

# 1. BUYER MUST-READ

Please read this manual carefully before use and preserve the instruction manual for future reference. Requirement that if not followed, could result in serious accident. The following contents are closely related to safety issue, please follow the requirement strictly.

 <b>WARNING</b>	 <b>ATTENTION</b>
Requirements that, if not followed, could result in serious injury or death.	This symbol indicates, that improper use may cause minor injuries to the user or damage to property.

	 <b>PROHIBITIONS</b>	 <b>Note</b>
This symbol indicates: Please pay attention! It is used in conjunction with the above "WARNING" and "ATTENTION" to draw your attention, please read it carefully and strictly comply with it.	This symbol indicates that this operation is prohibited!	This symbol indicates Please follow the instructions!

## SAFETY REGULATIONS

- Failure to follow the instruction of this manual may cause fire, resulting in property damage, personal injury or death.
- Must install the device according to the instruction manual, otherwise may cause water leakage, fire, electric shock.
- The installation and commissioning or maintenance must be carried out by factory authorized personnel to ensure that the machine is in normal working condition. Personal installation or maintenance without factory authorization resulting in the product cannot reach the normal state or performance, the factory is not responsible.
- Special groups such as children, the elderly, and the disabled should be supervised by normal adults.
- Do cut-off power supply before any maintenance or repair. Any modification or maintenance work must be carried out by authorized service people.

## WARNING

- Check and make sure the ground wire is well connected with ground otherwise the faulty and leakage can cause electric shock.
- Circuit construction should follow the Specification for urban cabling. Failure to follow the regulations can result in fire and electric shock.
- Please make sure to use 220V~50Hz power supply for electric water heater.
- Make sure to install a leakage protection switch, or the fixed line connected to it must be equipped with this such a device. When it is disconnected, the minimum distance between all touch points is 3mm. Whether the electric meter capacity, leakage protection switch, electric wire can meet the power requirements of the water heater, see the "Technical performance parameters", Leakage protection switch must be installed in a dry place 1.6 meters above the ground and ensure that water does not splash in this location while in use.
- Do not use power strips or removable sockets.
- Electric water heater must be installed indoors, where the ambient temperature is above 0C°. When the ambient temperature is below 5 C°, please make sure to take anti-freezing measures to prevent water leakage and electricity leakage accidents caused by damage of the internal fittings of the device due to freezing.
- A stream of hot water flowing out of the water heater may cause Scalding. Do not directly put any parts of your body under hot water when you turn it on. Adjust the water temperature first, and wait for the water flow and water temperature to stabilize before use.
- The safe service life of this device is 8 years! If the product is still used after this time, it may cause fire or injury due to the deterioration over time.

- In case of any abnormal condition of the grounding system other than the water heater, immediately stop using the water heater, disconnect all connections with the power supply circuit, and call the service hotline for professional check or repair offered by authorized personnel.
  - To prevent product damage or unexpected situations resulting in water leakage, the water heater installation and water use must have a floor drain which can drain smoothly. Once water heater stops working due to a fault, please immediately disconnect the power supply and contact professional after-sales service personnel (refer to the "Troubleshooting" section) Do not repair by yourself; incorrect repair methods may endanger personal safety or lead to property damage.
  - After the new device is installed, check the water inlet pipe joint and water heater to make sure no leakage before use. After confirming that everything is normal, the external power switch can be connected.
  - Children should be supervised to ensure that they cannot play with or approach the appliance personnel.
- 

## CAUTION

- The plumbing installation should be done in accordance with the regulations of the city where it is located; otherwise, it will cause water leakage.
  - Do not apply pressure to the connection part of the device, which may cause cracking, water leakage, falling, etc.
  - This home water heater is applied for domestic water use, and if used for commercial purposes, it may shorten the service life of the water heater.
  - After the water heater is installed and used, the user should carry out regular inspections and necessary maintenance according to the usage conditions. If there is any abnormality, stop using it immediately and call the company's service hotline to report for repair.
  - If any parts are soaked in water, they should be inspected or repaired by professionals before use.
  - Do not spray any flammable substances such as insecticides or perfumes around the product.
  - The water discharged from the water heater (including after heating by electricity) cannot be used for drinking.
  - When you use it for the first time or if you haven't used it for a long while, you must turn on the water first. The power should not be connected until you make sure the water outlet runs normal so as not to damage the water heater or cause accidents. The power must be cut off first before repairing and maintaining.
  - During the use of the water heater, the temperature of the power cable will rise, you will feel slightly hot, which is a normal phenomenon and can be used normally. If the power cord is damaged and needs to be replaced, a special power cord must be repaired and replaced by authorized personnel.
- 

## PROHIBITIONS

- Do not use external switching devices for power supply, such as timers or connections to circuits that are regularly switched on and off by general-purpose components, to avoid the danger of false resets of thermal cutouts.
- Do not touch the power supply with wet hands or spray water on the earth leakage protection switch or the appliance so as to prevent the electrical components from getting wet. The leakage protection switch should be installed in a place where it will not be splashed by water and out of the reach of children. If it is accidentally soaked, it must be inspected and approved by authorized personnel before it can be used again.
- It is forbidden to place flammable or explosive substances near the water heater.
- Power must be disconnected before any installation or operation or maintenance.
- Non-authorized personnel are not allowed to repair, maintain, disassemble or modify the water heater. Any service work must be carried out by authorized personnel.
- Do not install the water heater outdoors or where it can be exposed to direct sunlight.
- Do not install the water heater in an environment where it may freeze, as freezing will cause the tank and water pipes to break which may cause leaks.
- Do not connect to pipes other than water mains.
- Do not use the outlet water of other water heaters as the water inlet of this water heater.

**NOTE:** The above terms and conditions are subject to interpretation by the Company as permitted by law.

## 2. PRODUCT FUNCTION

- LED display shows the current water temperature and set water temperature.
- Multiple protection against leakage, over temperature, dry burning and low flow, etc.
- High quality cast aluminum heater, water and electricity separated, anti-rust, anti-corrosion, anti-fouling, long service life.
- Intelligent microcomputer heating system, constant temperature, set the temperature on demand, energy saving and power saving.
- Instantaneous heating, No need to wait, Continuous use.

## 3. APPLICABLE WATER QUALITY RANGE

Only applicable to municipal tap water, non-industrial water, well water, etc.

## 4. TECHNICAL PERFORMANCE PARAMETERS

Parameter	Model	AWH1006/51(55LA)
Rated Power, W		5500
Rated Voltage, V		220~
Rated Frequency, Hz		50
Rated pressure, MPa		0.6
Waterproof Grade		IPX4
Minimum Pressure, MPa		0.05
Temperature range, °C		30-55
Wire Requirements		2.5mm <sup>2</sup> copper wire
Meter Capacity, A		≥5(30)
Leakage Protection Switch, A		≥25

## 5. NAME OF PARTS

- |                                   |                           |                 |
|-----------------------------------|---------------------------|-----------------|
| 1.Heater                          | 2.Thermal circuit breaker | 3.Bottom shell  |
| 4.Outlet water temperature sensor | 5.Outlet pipe             | 6.Flow sensor   |
| 7.Silicon controlled              | 8.Shell                   | 9.Display panel |
| 10.Decorative cover               |                           |                 |

## 6. APPERANCE AND STRUCTURE

---

Parts of the appliance are as below:

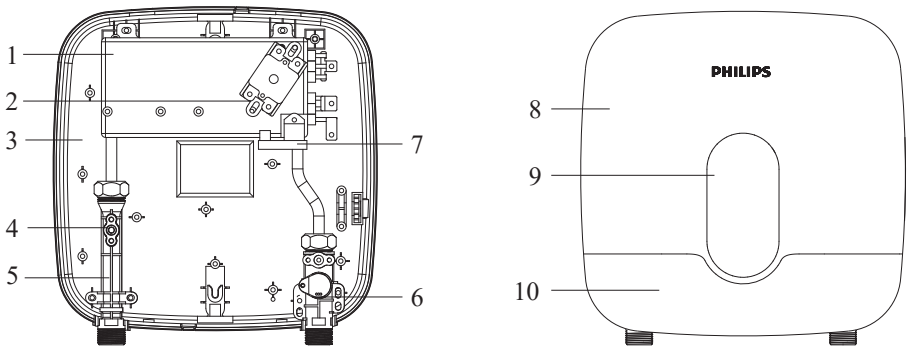


Figure A

**Note:**This diagram is for illustration purposes only. Please refer to the actual product for accuracy.

---

The operation panel is as below:

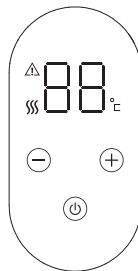


Figure B

## 7. PRODUCT DIMENSIONS

Main Dimensions, mm			
A	B	C	D
156	79	255	248

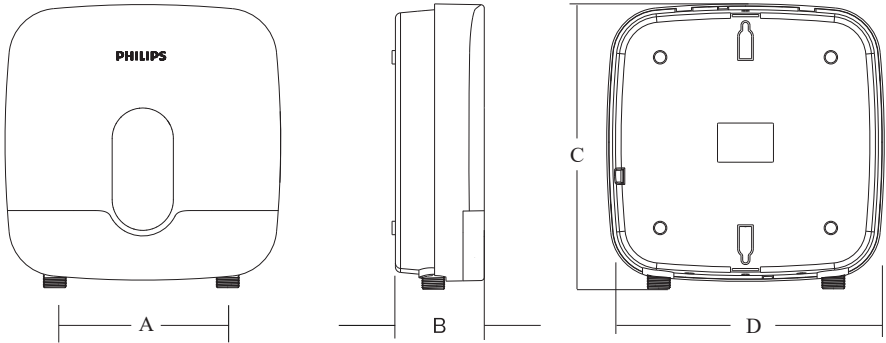


Figure C

## 8. INSTALLATION AND OPERATION

### 8.1 Precautions before installation

The electric water heater should be positioned and installed according to the user's environmental conditions and comprehensive consideration of the following factors:

- Avoid places where flammable gas leaks or environments with strong corrosive gases;
- Avoid places where strong electricity and strong magnetic fields could directly affect;
- Avoid areas exposed to direct sunlight, rain and wind;
- Try to avoid places prone to vibration;
- Try to shorten the distance between the electric water heater and the water intake location. If it exceeds 3 meters, the hot water pipeline should be insulated to reduce the heat loss of the pipeline;
- There must be a floor drain with sufficient drainage capacity near the installation site to avoid failure to drain;
- To facilitate future repairs, maintenance, relocation, etc., a certain space must be reserved around the installation
- The bearing capacity of the installation surface should be no less than 4 times the total mass of the electric water heater to ensure safety;
- Leakage protection switches must be installed, or the fixed lines connected to them must be equipped with such devices;
- The location of the leakage protection switch should be placed in a safe place where there will be no risk of electric shock and where water cannot be splashed. Check the leakage protection switch used in the electric water heater by visual inspection and using specialized measuring devices (phase meter, test pen, grounding resistance meter, etc.) to ensure that the live wire and neutral wire are installed correctly and grounded reliably, and ensure that the grounding resistance of the building's ground wire is less than 4Ω;
- Check whether the capacity of the electricity meter, wires, and leakage protection switch meets the requirements of the electric water heater;
- Make sure that the tap water pressure is not less than 0.05 MPa and that the maximum pressure does not exceed 0.6 MPa. Check the tap water pressure with a pressure gauge, if the tap water pressure is greater than 0.6 MPa, a pressure reducing valve should be installed on the inlet pipe;
- Electric water heaters should be installed indoors where the ambient temperature is above 0°C.



## 8.2 INSTALLATION STEPS



### NOTICE:

The water heater must be installed by the company's authorized personnel. The supplied accessories must be used during installation; unauthorized replacement is not allowed. If the above rules are not complied with, the company will not be liable for any direct or indirect losses caused thereby.

### Step 1: Installation preparation

- Professional installation personnel shall prepare installation tools and necessary qualified measuring inspection instruments.
- Check whether the electric water heater is in good condition, and whether the accompanying documents and accessories are complete.
- Read this manual carefully to understand the functions, operation methods, installation requirements and installation methods of the electric water heater.
- Check the user's power supply, it must be 220V- 50Hz power supply; The location of the leakage protection switch should be placed in a safe place where there will be no danger of electric shock and where water cannot be splashed. Check the leakage protection switch used in the electric water heater by visual inspection and using specialized measuring devices (phase meter, test pen, grounding resistance meter, etc.) to ensure that the live wire and neutral wire are installed correctly and grounded reliably; Check whether the electric meter capacity, leakage protection switch, electric wire can meet the power requirements of the water heater, see the "technical performance parameters"; Check the tap water pressure with a pressure gauge, if the tap water pressure is greater than 0.6 MPa, a pressure reducing valve should be installed on the inlet pipe.
- Assist the user to select location of the electric water heater: Avoid places where flammable gas leaks or environments with strong corrosive gases; Avoid places where flammable gas leaks or environments with strong corrosive gases; Avoid places where strong electricity and strong magnetic fields could directly affect; Avoid areas exposed to direct sunlight, rain and wind; Try to avoid places prone to vibration; Try to shorten the distance between the electric water heater and the water intake location. If it exceeds 3 meters, the hot water pipeline should be insulated to reduce the heat loss of the pipeline; The bearing capacity of the installation surface should not be less than 4 times the total mass of the electric water heater after it is filled with water, otherwise the user needs to install a support bracket under the electric water heater to ensure safety.
- For those that do not meet the installation requirements of electric water heaters, professional installation personnel should clearly inform the user and suggest them for rectification. For those that cannot be rectified, installation should be refused.

### Step 2. Installation operation

- The installation of the electric water heater should use the attached accessories, and professional installation personnel should not replace, omit or modify at will.
- During installation, attention should be paid not to damage the safety structure of the building.
- The pipes and fittings used for installation and connection must comply with the relevant national standards.
- The water heater must be installed vertically.
- Choose the install position of the water heater and drill a hole 30mm deep (this depth must not exceed the thickness of the wall) in the load-bearing wall with an impact drill (in  $\Phi 6$ mm drill bit), with holes spaced as shown in (Fig. D), and then punch the glue granules completely into the wall hole; Fix the mounting plate to the wall with cross pan head tapping screws and suggest them for rectification. For those that cannot be rectified, installation should be refused.



### CAUTION:

The ground wire must be reliably grounded, otherwise it may cause safety accidents.  
The leakage protection switch must be installed in a dry place where cannot be sprayed by water.

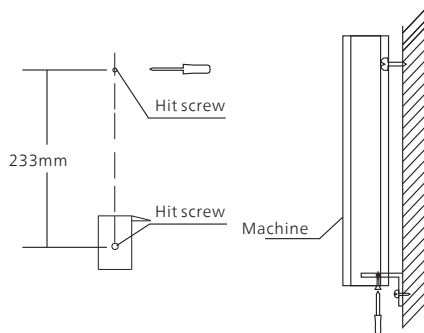


Figure D

- Fixed water heater: Lift the water heater and insert the installation bracket into the installation holes on its back. Then, use cross countersunk self-tapping screws to securely fasten and fix it. Only after ensuring the installation is firm, you can release your grip to prevent it from falling.
- Accessories installation: Refer to (Figure E) for connections.

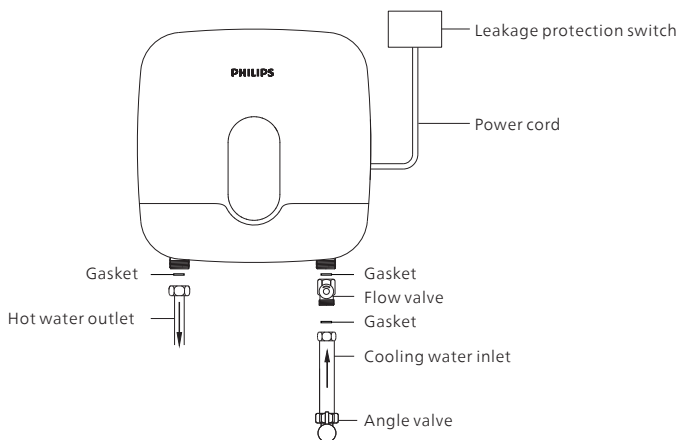


Figure E



## CAUTION

- A sealing ring must be used at the pipe joint, and a valve must be installed at the water inlet pipe.
- The inlet pipe has a built filter screen, pay attention to check when connecting the pipe to prevent loose and leak installation.

## 8.3 Method of use



### CAUTION:

#### Notes before connected to the power:

- Check whether the leakage protection switch is installed in a suitable position and whether it can operate.
- The inlet valve (angle valve) must be opened first.
- Check whether there is any water leakage at each interface, and then turn on the appliance only when water flows out evenly from the water outlet valve.
- When taking a shower, please adjust the water temperature first and do not directly put any part of the body under the water to avoid being scalded by hot water.
- Users are requested to maintain good habits: it is recommended to turn on the water before turning on the power when start the device; when turning off, disconnect the power first and then turn off the water.

#### • Turn on the power

After connecting the power supply, the display screen will be fully bright for 2 seconds, indicating that the power supply has been connected, and the water heater will enter the standby state.

#### • Power on

Open the water valve, press the "⊕" button after water flows out of the water outlet valve, the water heater will start up, and after displaying the current set temperature for 3 seconds, it will automatically switch to display the current outlet water temperature, and the water heater will start heating.

#### • Operation

During the working process, you can press the "⊕" button or "⊖" button to adjust the set temperature. Each time you press the "⊕" button or "⊖" button, the temperature will increase or decrease by one degree. Press the "⊕" button or "⊖" button continuously for 1.5 For more than 1 second, the temperature setting value increases or decreases continuously, and the temperature setting value range: 30–55°C.

#### • Power off

Press the "⊗" button to turn off the machine and turn off the water.

## Introduction about the display

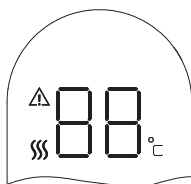


Figure F

#### • "88", Display temperature/Fault code

The normal display temperature of the water heater in Celsius is "°C".

The fault code display: When the water heater encounters a malfunction, it displays the fault codes (EC, HE, E5, E1).

#### • "°C", Temperature unit

#### • "⚠", Protection state display

When the water heater is operating normally, it will be steadily lit to indicate the entry into protection state. When the water heater malfunctions, it will flash to indicate that the machine has encountered a fault. Please refer to the "Troubleshooting" guide when the flashing occurs. The fault code display: When the water heater encounters a malfunction, it displays the fault codes (EC, HE, E5, E1).

#### • "☄", Heating state display

Indicate whether the water heater is in working condition: when the characters are illuminated, it signifies the operation of the water heater; when the characters are not illuminated, it indicates that the water heater is not in operation.

## Introduction about Button:

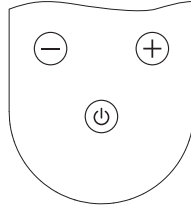






Figure G

- "⏻", "Power button": operation to power on and off.
- "⊕", "Heating button": operate this button to set the desired temperature, flash for 3 seconds and display the current set temperature value, press this button again to enter the set temperature, press once, the set temperature will increase by 1°C, press this button for more than 1.5 seconds, the temperature setting value increases continuously, the temperature setting range: 30-55°C.
- "⊖", "Cooling button": operate this button to set the desired temperature, flash for 3 seconds and display the current set temperature value, press this button again to enter the set temperature, press once, the set temperature will decrease by 1°C, press this button for 1.5 seconds Above, the temperature setting value decreases continuously, and the temperature setting range: 55-30°C.

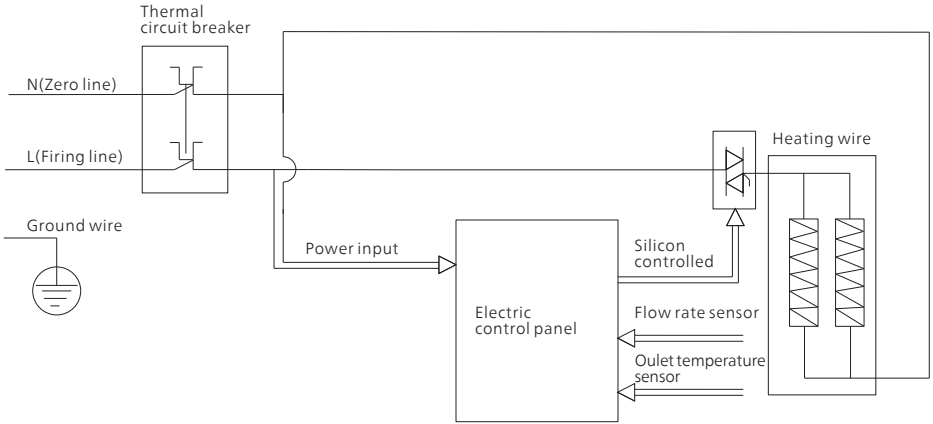
## 9.MAINTENANCE

- Always pay attention to whether there is water leakage in the pipeline joints, and if so, deal with it in time.
- Regularly (once a week) check whether the leakage protection switch can operate normally.
- Always check that the ground loop of the earth leakage protection switch is secure and whether it can meet the requirements of the electricity supply.
- Please turn off the external power switch and water inlet switch when the water heater is not in use.
- Regularly remove residual dirt from showerheads and filters to avoid clogging.
- Regularly clean the exterior of the water heater. Do not use acidic or alkaline solution to scrub the shell of the electric water heater. If you want to clean, use a neutral detergent. After wiping, gently dry it with a dry soft cloth. Turn off power supply when clean it.
- Always disconnect the water heater from the power before carrying out any maintenance and repairs. Professionals not authorized by the company are not allowed to modify or repair the water heater.

## 10.TROUBLESHOOTING

SYMPTOMS	REASONS	TROUBLESHOOTING METHODS
Water does not heat up	1.The power is turned off	1.Connected to the power
	2.Water flow too low to activate	2.Increase water flow
	3.Leakage protector in off position	3.Adjust the leakage protection switch and reconnect
	4.Microcomputer is dead	4.Disconnect the leakage protection switch and reconnect
	5.Heating tube is broken	5.Contact local service center
Water temperature is not high enough	1.Temperature was set too low	1.Set the temperature higher
	2.Inlet flow was set too high	2.Set the inlet flow lower
The water temperature is too high	1.Temperature was set too high	1.Set the temperature lower
	2.Inlet flow was set too low	2.Set the inlet flow higher
Flow too small from the hot water tap	1.Water inlet filter clogged	1.Clean the water inlet filter
	2.Shower head clogged	2.Clean the shower head
	3.Too low water pressure	3.Increase the water pressure
Trip	1.Low capacity or faulty of the leakage protection switch	1.Replace the leakage protection switch
	2.Electrical leakage	2.Contact local service center
Display"  " Flash/" Ec "	Communication fail	Contact after-sales maintenance
Display"  " Flash/" HE "	Overtemperature fault	1.Please use cold water to pass through the pipe to lower the temperature or cool it down naturally to remove the over-temperature indication. 2.Please contact after sales if above operation does not work.
Display"  " Flash/" E5 "	Zero-crossing detection fault	Contact after-sales for repair
Display"  " Flash/" E1 "	Outlet temperature sensor failure	Contact after-sales for repair

# 11. ELECTRICAL SCHEMATIC DIAGRAMS



No separate notification will be given for any changes in wiring.

Figure H

# 12. PACKING LIST

Complete machine	1X	Tapping screw	3X
Operation manual	1X	Colloidal particle	2X
Installable hanging board	1X	Flow valve	1X
Gasket	3X		

# 13. SERVICE LIFE

The service life of the water heater is 8 years, provided that the relevant installation and operation regulations are observed.

# 14. DISPOSAL RULES

At the end of its useful life the device must be disposed of in accordance with the rules, regulations and methods in force at the place of disposal. Do not dispose of the device with household waste. At the end of the device's useful life, take it to a collection point for recycling, if this is required by the rules and regulations in your area. This will help avoid possible consequences for the environment and human health, and will also encourage the reuse of product components information about where and how you can dispose of the appliance can be obtained from your local authorities.



# 15. GUARANTEE & SERVICE

If you need information or if you have any problem, please visit [www.philips.com](http://www.philips.com) or contact the customer care center in your country. If there is no customer care center in your country, go to a local dealer. **Within two years** from the date of purchase, you will receive free warranty service for any damage caused by the manufacturing process, or components under normal operation confirmed by our maintenance service. The warranty service does not include frequently replaced consumable components, auxiliary devices, transportation fees, and door-to-door service. Please show the proof of purchase to the service personnel during maintenance.

# ОГЛАВЛЕНИЕ

# RU


1. Необходимые сведения для покупателей	1	11. Электрические схемы	11
2. Назначение изделия	3	12. Упаковочный лист	11
3. Допустимое качество воды	3	13. Срок эксплуатации	11
4. Технические характеристики	3	14. Правила утилизации	11
5. Устройство прибора	4	15. Гарантия и обслуживание	11
6. Внешний вид и конструкция	4		
7. Габариты изделия	5		
8. Установка и эксплуатация	5		
8.1. Меры предосторожности перед установкой	5		
8.2. Порядок установки	6		
8.3. Порядок использования	8		
9. Техническое обслуживание	10		
10. Устранение неполадок	10		




# 1. Необходимые сведения для покупателей

Внимательно прочтите это руководство перед использованием устройства. Сохраните это руководство для справки.

Нарушение этого требования может повлечь серьезные повреждения.

Приведенные ниже материалы связаны с вопросами безопасности. Внимательно соблюдайте требования.

 <b>ПРЕДУПРЕЖДЕНИЕ</b>	 <b>ВНИМАНИЕ</b>
Нарушение этого требования может повлечь тяжелую травму или гибель.	Этот символ указывает, что неправильное использование устройства может привести к травмам пользователя и к повреждению имущества.

	 <b>ЗАПРЕТЫ</b>	 <b>Примечание.</b>
Этот символ означает «Обратите внимание!». Он используется вместе с указанными выше символами «ПРЕДУПРЕЖДЕНИЕ» и «ВНИМАНИЕ» для привлечения вашего внимания. Прочтите соответствующие инструкции и строго соблюдайте их.	Этот символ означает, что соответствующее действие запрещено.	Этот символ означает «Соблюдайте инструкцию».

## ПРАВИЛА БЕЗОПАСНОСТИ

- Несоблюдение инструкций этого руководства может повлечь возгорание, повреждение имущества, травмы или гибель.
- Устройство необходимо установить в соответствии с руководством. В противном случае возможны протечки, возгорание и поражение электрическим током.
- Установку устройства, его ввод в эксплуатацию и обслуживание должны осуществлять уполномоченные специалисты, чтобы обеспечить правильную работу устройства. Производитель не несет ответственности за неправильную работу и неработоспособность устройства, установка или обслуживание которого проводилось самостоятельно, без разрешения производителя.
- Дети, престарелые и лица с инвалидностью должны пользоваться устройством под присмотром взрослых.
- Перед проведением обслуживания или ремонта устройства всегда отключайте электропитание. Все работы по модификации и техническому обслуживанию должны проводиться уполномоченными специалистами по обслуживанию.

## ПРЕДУПРЕЖДЕНИЕ

- Убедитесь, что провод заземления надежно подключен к контуру заземления. В противном случае возможно поражение электрическим током.
- Устройство электропроводки должно соответствовать требованиям для электропроводки в городских условиях. Несоблюдение правил может привести к возгоранию и поражению электрическим током.
- Убедитесь, что электрический водонагреватель подключен к источнику электропитания переменного тока 220 В, 50 Гц.
- Обязательно установите реле защиты от утечек или стационарный предохранитель, оборудованный таким устройством. Когда реле отключено, расстояние между всеми контактами составляет не менее 3 мм. Убедитесь, что характеристики электросчетчика, реле защиты от утечек и электропроводки соответствуют требованиям водонагревателя (см. главу «Технические характеристики»). Реле защиты от утечек должно быть установлено в сухом и защищенном от попадания воды месте на высоте 1,6 м над полом.
- Не используйте удлинители и съемные розетки для подключения.
- Электрический водонагреватель необходимо устанавливать в помещении с температурой воздуха выше 0 °C. Если температура воздуха в помещении ниже 5 °C, необходимо защитить устройство от замерзания. При замерзании воды могут быть повреждены внутренние соединения устройства, что может привести к протечке воды и к поражению электрическим током.
- Горячий пар, выходящий из водонагревателя, может ошпарить пользователя. Не подставляйте части тела под горячую воду сразу после включения устройства. Сначала настройте температуру воды.
- Дождитесь установления равномерного потока и температуры воды перед использованием.
- Срок эксплуатации этого устройства составляет 8 лет. По истечении этого времени возможно возгорание устройства и причинение травм из-за естественного износа устройства.



- В случае неисправности системы заземления вне водонагревателя немедленно прекратите использовать водонагреватель, отключите его от электросети и обратитесь в сервисную службу, чтобы вызвать уполномоченных профессиональных специалистов для проверки или ремонта.
- Во избежание повреждения устройства и протечек воды в непредвиденных ситуациях рядом с местом установки водонагревателя в полу должно быть дренажное отверстие достаточной пропускной способности. Если водонагреватель перестал работать из-за неисправности, сразу же отключите питание и обратитесь к специалистам по послепродажному обслуживанию (см. главу «Устранение неполадок»). Не ремонтируйте устройство самостоятельно: это может повлечь травмы или порчу имущества.
- После установки нового устройства проверьте герметичность соединения входной водопроводной трубы с водонагревателем. Убедившись, что все в порядке, подключите устройство к электросети.
- Присматривайте за детьми, чтобы они не мешали специалистам, которые работают с устройством.

---

## ОСТОРОЖНО!

- Трубопроводы должны быть установлены в соответствии с действующими местными нормативами и регламентами. В противном случае возможны протечки.
- Не прилагайте чрезмерную силу к патрубкам и соединениям устройства, поскольку это может привести к образованию трещин, протечкам, падению и т. д.
- Этот домашний водонагреватель предназначен для использования в быту. При использовании в коммерческих целях срок эксплуатации водонагревателя может сократиться.
- После установки и использования водонагревателя пользователь должен регулярно осматривать устройство и проводить его техническое обслуживание в соответствии с состоянием устройства. При ненормальной работе устройства сразу прекратите его использовать и обратитесь в сервисную службу компании, чтобы сообщить о необходимости ремонта.
- В случае попадания воды на детали устройства они должны быть осмотрены или отремонтированы специалистами перед дальнейшим использованием.
- Не распыляйте рядом с устройством воспламеняющиеся вещества, например, инсектициды или парфюмерию.
- Вода, вытекающая из водонагревателя (в том числе нагретая вода), непригодна для питья.
- При первом использовании устройства, а также при его использовании после длительного перерыва, сначала включите воду. Не включайте питание, не убедившись, что вода нормально вытекает из устройства. В противном случае водонагреватель может быть поврежден, возможны несчастные случаи. Перед ремонтом и техническим обслуживанием устройства необходимо отключать электропитание.
- При работе водонагревателя кабель электропитания может немного нагреваться. Это нормальное явление, не препятствующее использованию устройства. Если кабель электропитания поврежден и нуждается в замене, его ремонт и замену должны проводить уполномоченные специалисты.

---

## ЗАПРЕТЫ

- Не используйте внешние переключатели устройства для подачи электропитания. Например, не используйте таймеры или подключения к цепям, которые регулярно включаются и выключаются компонентами общего назначения, чтобы избежать ложного сброса термовыключателей.
  - Не дотрагивайтесь до источника электропитания мокрыми руками, не допускайте попадания воды на реле защиты от утечек и на устройство. Реле защиты от утечек должно быть установлено в месте, защищенном от попадания воды, и вне досягаемости детей. Если на реле защиты от утечек попала вода, уполномоченные специалисты должны осмотреть это реле и разрешить его дальнейшее использование.
  - Запрещается размещать воспламеняющиеся и взрывоопасные вещества рядом с водонагревателем.
  - Перед установкой, ремонтом и техническим обслуживанием устройства необходимо отключать электропитание.
  - Ремонтировать, обслуживать, разбирать и модифицировать водонагреватель разрешается только уполномоченным специалистам. Обслуживание устройства должны проводить только уполномоченные специалисты.
  - Не устанавливайте водонагреватель вне помещений, а также в местах, где возможно прямое воздействие солнечных лучей.
  - Не устанавливайте водонагреватель в месте, где он может замерзнуть. При замерзании воды возможно повреждение бака и трубопроводов, что может привести к протечке воды.
  - Подключайте водонагреватель только к водопроводу.
  - Не подключайте входной патрубок водонагревателя к выходным патрубкам других водонагревателей.
- ПРИМЕЧАНИЕ.** Приведенные выше условия могут быть истолкованы Компанией в рамках, допустимых действующим законодательством.

## 2. НАЗНАЧЕНИЕ ИЗДЕЛИЯ

Водонагреватель электрический проточного типа предназначен для нагрева холодной воды, поступающей из водопровода. Водонагреватель применяется в бытовых целях.

### Функциональные преимущества:

- Отображение текущей и заданной температуры воды на светодиодном дисплее.
- Многоуровневая защита от утечек, перегрева, сухого нагрева, недостаточного потока воды и т. д.
- Высококачественный нагревательный элемент из литого алюминия, отдельные контуры воды и электричества, защита от ржавчины и коррозии, защита от загрязнения, длительный срок эксплуатации.
- Интеллектуальная система управления, поддержание постоянной температуры, установка температуры по требованию, экономия электроэнергии.
- Быстрый нагрев без необходимости ждать, непрерывное использование.

## 3. ДОПУСТИМОЕ КАЧЕСТВО ВОДЫ

Этот водонагреватель предназначен для водопроводной воды, непромышленной воды и воды из подземных скважин.

## 4. ТЕХНИЧЕСКИЕ ХАРАКТЕРИСТИКИ

Параметр	Модель	AWN1006/51(55LA)
Номинальная мощность, Вт		5500
Номинальное напряжение, В		Переменный ток 220 В
Номинальная частота, Гц		50
Номинальное давление, МПа		0,6
Степень защиты		IPX4
Минимальное давление, МПа		0,05
Диапазон температуры, °С		30–55
Требования к электропроводке		Медный провод 2,5 мм <sup>2</sup>
Ток измерительного устройства, А		≥5(30)
Реле защиты от утечек, А		≥25

## 5. УСТРОЙСТВО ПРИБОРА

- |                                      |                                 |                   |
|--------------------------------------|---------------------------------|-------------------|
| 1. Нагревательный элемент            | 2. Тепловой автомат защиты сети | 3. Нижняя панель  |
| 4. Датчик температуры воды на выходе | 5. Патрубок выхода горячей воды | 6. Датчик потока  |
| 7. Микросхема управления             | 8. Корпус                       | 9. Панель дисплея |
| 10. Декоративная крышка              |                                 |                   |

## 6. ВНЕШНИЙ ВИД И КОНСТРУКЦИЯ

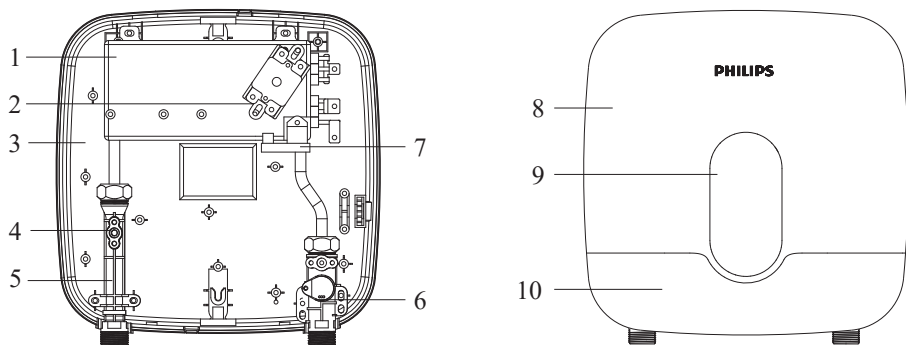


Рисунок А

Примечание. Эта схема приведена исключительно для иллюстрации.  
Точный внешний вид см. на фактическом устройстве.

### Панель управления

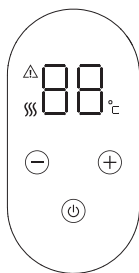


Рисунок В

## 7. ГАБАРИТЫ ИЗДЕЛИЯ

Габариты, мм			
A	B	C	D
156	79	255	248

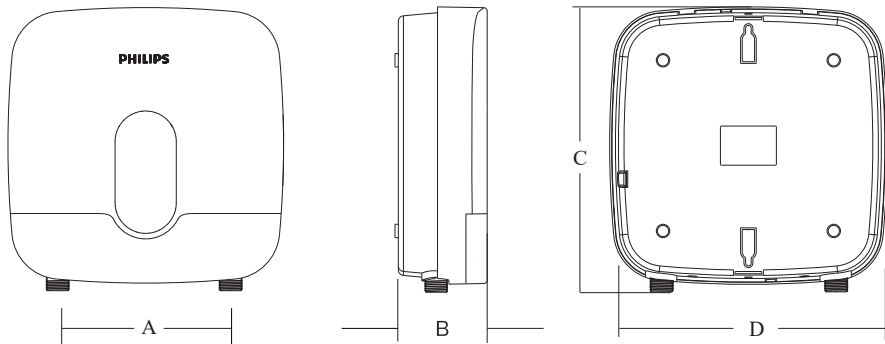


Рисунок С.

## 8. УСТАНОВКА И ЭКСПЛУАТАЦИЯ

### 8.1. Меры предосторожности перед установкой

При установке электрического водонагревателя следует учитывать условия окружающей среды и следующие факторы:

- Избегайте мест, где возможна утечка воспламеняющегося газа, а также мест с газом, вызывающим коррозию.
- Избегайте мест с мощными электрическими или магнитными полями, способными повлиять на работу устройства.
- Избегайте мест с прямым воздействием солнечных лучей, дождя и ветра.
- Избегайте мест, где возможна вибрация.
- Постарайтесь установить электрический водонагреватель как можно ближе к выпуску воды. Если расстояние превышает 3 метра, необходимо обеспечить теплоизоляцию трубы горячей воды, чтобы снизить теплопотери.
- Во избежание затопления рядом с местом установки устройства в полу должно быть дренажное отверстие достаточной пропускной способности.
- Для удобства дальнейшего ремонта, обслуживания, демонтажа и т. д. вокруг установленного устройства должно быть достаточно свободного места.
- Несущая способность поверхности, на которую устанавливается водонагреватель, должна по крайней мере в 4 раза превышать суммарную массу водонагревателя.
- Необходимо установить реле защиты от утечек (или сеть электропитания должна быть оборудована такими устройствами).
- Реле защиты от утечек должно находиться в безопасном месте, где невозможно попадание воды и отсутствует риск поражения электрическим током. Проверьте реле защиты от утечек, используемое для электрического водонагревателя: осмотрите его, а также используйте измерительные приборы (фазометр, тестовая отвертка, измеритель сопротивления заземления и т.д.), чтобы убедиться в правильном подключении проводов фазы и нуля и в надежности заземления. Убедитесь, что сопротивление заземления в электросети здания не превышает 4  $\Omega$ .
- Убедитесь, что характеристики электросчетчика, реле защиты от утечек и электропроводки соответствуют требованиям водонагревателя.
- Убедитесь, что давление воды в водопроводе составляет не менее 0,05 МПа и не превышает 0,6 МПа. Измерьте давление воды с помощью манометра. Если давление воды в водопроводе превышает 0,6 МПа, на входной патрубке необходимо установить редукционный клапан.
- Электрический водонагреватель необходимо устанавливать в помещении с температурой воздуха выше 0 °С.

## 8.2. ПОРЯДОК УСТАНОВКИ



### УВЕДОМЛЕНИЕ

Установку водонагревателя должны проводить уполномоченные специалисты компании. Для установки необходимо использовать принадлежности, входящие в комплект устройства. Запрещается использовать другие запасные части вместо них. В случае нарушения приведенных выше правил компания не будет нести ответственности за любой вызванный этим прямой или косвенный ущерб.

### Шаг 1. Подготовка к установке

- Установку устройства должны осуществлять профессиональные специалисты с необходимыми инструментами и измерительными приборами.
- Убедитесь в исправности водонагревателя. Проверьте наличие сопровождающей документации и комплектность принадлежностей.
- Внимательно прочтите это руководство, ознакомьтесь с порядком эксплуатации водонагревателя, с требованиями к установке и с процедурой установки.
- Проверьте параметры электросети пользователя. Требуется электросеть переменного тока 220 В, 50 Гц. Реле защиты от утечек необходимо установить в безопасном месте, где будет отсутствовать риск поражения электрическим током и попадания воды. Проверьте реле защиты от утечек, используемое для электрического водонагревателя: осмотрите его, а также используйте измерительные приборы (фазометр, тестовая отвертка, измеритель сопротивления заземления и т.д.), чтобы убедиться в правильной установке проводов фазы и нуля и в надежности заземления. Убедитесь, что характеристики электросчетчика, реле защиты от утечек и электропроводки соответствуют требованиям водонагревателя (см. главу «Технические характеристики»). Измерьте давление воды с помощью манометра. Если давление воды в водопроводе превышает 0,6 МПа, на входной патрубок необходимо установить редукционный клапан.
- Помогите пользователю выбрать расположение электрического водонагревателя. Избегайте мест, где возможна утечка воспламеняющегося газа, а также мест с газом, вызывающим коррозию. Избегайте мест с мощными электрическими или магнитными полями, способными повлиять на работу устройства. Избегайте мест с прямым воздействием солнечных лучей, дождя и ветра, а также мест, где возможна вибрация. Постарайтесь установить электрический водонагреватель как можно ближе к выпуску воды. Если расстояние превышает 3 метра, необходимо обеспечить теплоизоляцию трубы горячей воды, чтобы снизить потери тепла. Несущая способность поверхности, на которую устанавливается водонагреватель, должна по крайней мере в 4 раза превышать суммарную массу водонагревателя после его наполнения водой. В противном случае пользователю потребуются установить опорный кронштейн под водонагреватель, чтобы обеспечить безопасное крепление.
- Если условия установки не соответствуют требованиям для электрических водонагревателей, специалисты, отвечающие за установку, должны уведомить об этом пользователя и четко перечислить меры, необходимые для устранения несоответствия. Если невозможно устранить несоответствие требованиям, то не следует устанавливать устройство.

### Шаг 2. Установка и эксплуатация

- При установке электрического водонагревателя следует использовать принадлежности, входящие в комплект устройства. Установку должны проводить профессиональные специалисты. При установке запрещается заменять, не использовать или самовольно изменять компоненты.
- При установке следует соблюдать осторожность, чтобы не повредить несущие конструкции здания.
- Трубопроводы и соединения, используемые для установки, должны соответствовать применимым государственным стандартам.
- Водонагреватель необходимо устанавливать в вертикальном положении.
- Выберите место установки водонагревателя. С помощью ударной дрели (сверло диаметром 6 мм) просверлите два отверстия глубиной 30 мм в несущей стене (глубина отверстий не должна превышать толщину стены). Расстояние между отверстиями должно соответствовать схеме на рис. D. Затем вложите гранулы клея в просверленные отверстия. Прикрепите крепежную пластину к стене саморезами с потайной крестообразной головкой. Если невозможно устранить несоответствие требованиям, то не следует устанавливать устройство.



### ОСТОРОЖНО!

Кабель заземления должен быть надежно подключен к клемме заземления, в противном случае возможны несчастные случаи.

Реле защиты от утечек должно быть установлено в месте, защищенном от попадания воды.

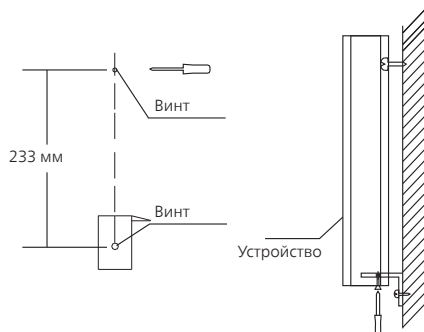


Рисунок D

- Установка водонагревателя. Поднимите водонагреватель и вставьте установочный кронштейн в отверстия на задней панели. Затем закрепите саморезами с потайной крестообразной головкой. Во избежание падения не отпускайте водонагреватель, пока не убедитесь в надежности крепления.
- Установка принадлежностей: Схему подключения см. на рис. E.

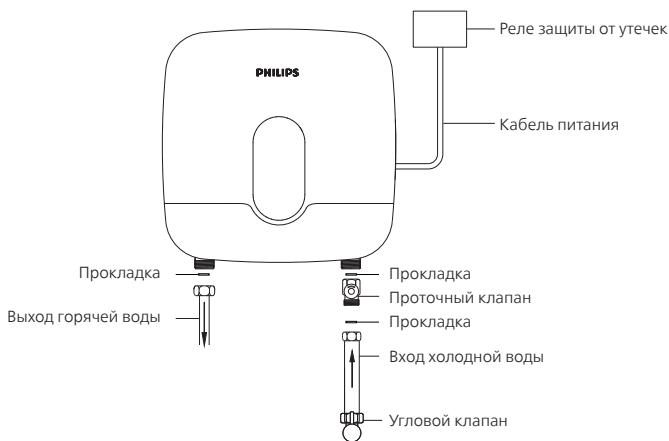


Рисунок E

**⚠ ОСТОРОЖНО!**

- Необходимо обеспечить герметичность стыков труб с помощью уплотнительных колец. На трубопроводе подачи воды необходимо установить клапан.
- Впускной патрубок оборудован встроенным сетчатым фильтром. При установке и присоединении трубопровода соблюдайте осторожность, чтобы избежать протечек.

### 8.3. Порядок использования



#### ОСТОРОЖНО!

##### Перед подключением электропитания:

- Убедитесь, что реле защиты от утечек установлено в правильном месте и может работать.
- Сначала откройте впускной (угловой) клапан.
- Убедитесь в герметичности всех соединений. Включайте устройство, лишь когда вода будет равномерно вытекать из выпускного клапана.
- Заранее отрегулируйте температуру воды перед водными процедурами. Не подставляйте части тела под струю воды, чтобы не ошпариться.
- При включении устройства сначала включайте подачу воды, а затем включайте электропитание. При выключении устройства сначала отключите электропитание, а затем прекройте воду.

##### ● Включите электропитание

После включения электропитания дисплей светиться на полной яркости в течение 2 секунд, указывая, то включено электропитание. После этого водонагреватель перейдет в режим ожидания.

##### ● Включение устройства

Откройте подачу воды. Когда вода начнет вытекать из выходного патрубка, нажмите кнопку «⊕». На дисплее в течение 3 секунд будет отображаться заданная температура нагрева, затем будет показана текущая температура воды на выходе. Водонагреватель начнет нагревать воду.

##### ● Эксплуатация

Во время работы нажмите кнопку «⊕» или «⊖», чтобы отрегулировать температуру. При каждом нажатии кнопки «⊕» или «⊖» температура снизится или повысится на один градус. Нажмите и удерживайте кнопку «⊕» или «⊖» более 1,5 секунд, чтобы непрерывно повышать или снижать температуру. Можно задать температуру в диапазоне от 30 до 55 °C.

##### ● Отключите питание.

нажмите кнопку «⊙», чтобы отключить устройство, затем прекройте воду.

### Дисплей

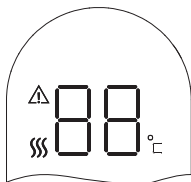


Рисунок F

- «88» — отображение температуры или кода неисправности  
Температура отображается на дисплее в градусах по Цельсию (°C). Отображаемый код неисправности: При возникновении неисправностей отображаются их коды (E3, HE, E5, E1).
- «°C» — единица измерения температуры
- «⚠» — отображение состояния защиты  
Когда водонагреватель правильно работает, этот индикатор будет постоянно гореть, указывая состояние защиты. При неисправности этот индикатор будет мигать. Когда индикатор начнет мигать, см. код неисправности в главе «Устранение неполадок». При возникновении неисправностей отображаются их коды (E3, HE, E5, E1).
- «☹» — отображение состояния нагрева  
Указывает, что водонагреватель работает. Когда символы светятся, водонагреватель работает. Когда символы не светятся, водонагреватель не работает.

## Кнопки

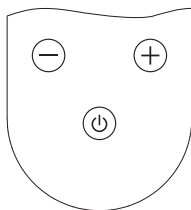





Рисунок G



- «» — кнопка питания. Включение и выключение электропитания.
- «» — кнопка повышения температуры. Используйте эту кнопку для установки нужной температуры. После нажатия этой кнопки дисплей будет мигать 3 секунды, на дисплее будет показана текущая заданная температура. Снова нажмите эту кнопку, чтобы задать температуру. При однократном нажатии температура будет повышена на 1 °С. Если нажать и удерживать кнопку более 1,5 секунд, значение температуры будет непрерывно повышаться. Можно задать температуру в диапазоне от 30 до 55 °С.
- «» — кнопка снижения температуры. Используйте эту кнопку для установки нужной температуры. После нажатия этой кнопки дисплей будет мигать 3 секунды, на дисплее будет показана текущая заданная температура. Снова нажмите эту кнопку, чтобы задать температуру. При однократном нажатии температура будет снижена на 1 °С. Если нажать и удерживать кнопку более 1,5 секунд, значение температуры будет непрерывно снижаться. Можно задать температуру в диапазоне от 55 до 30 °С.



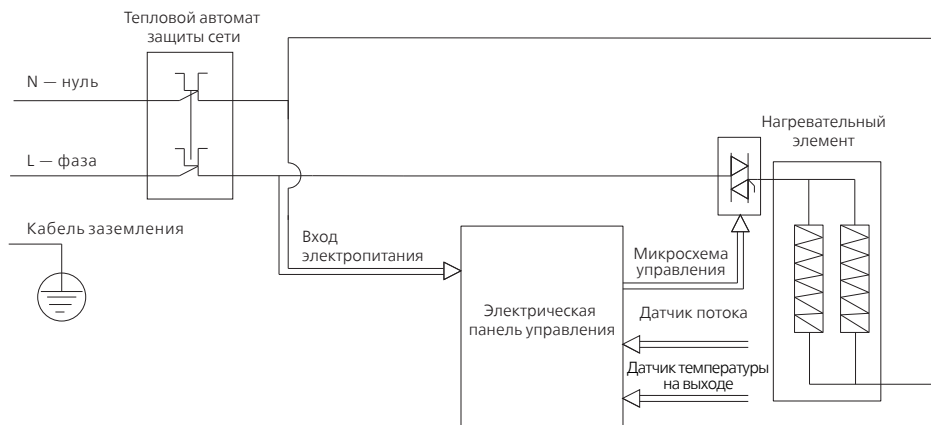
## 9. ОБСЛУЖИВАНИЕ

- Всегда следите за герметичностью соединений труб. При обнаружении протечек незамедлительно устраняйте их.
- Регулярно (еженедельно) проверяйте работоспособность реле защиты от утечек.
- Всегда проверяйте подключение заземления реле защиты от утечек и соответствие требованиям электропитания.
- Если водонагреватель не используется, отключайте внешний выключатель питания и перекрывайте подачу воды.
- Регулярно удаляйте загрязнения из душевых леек и фильтров, чтобы избежать засорения.
- Регулярно очищайте водонагреватель снаружи. Не очищайте корпус электрического водонагревателя кислотными или щелочными растворами. Для очистки используйте нейтральное моющее средство. После очистки аккуратно протрите устройство сухой мягкой тканью. При очистке отключайте электропитание.
- Всегда отключайте водонагреватель от электросети перед проведением технического обслуживания или ремонта. Специалистам, не уполномоченным компанией, запрещается модифицировать и ремонтировать водонагреватель.

## 10. УСТРАНЕНИЕ НЕПОЛАДОК

СИМПТОМЫ	ПРИЧИНЫ	СПОСОБЫ УСТРАНЕНИЯ НЕПОЛАДОК
Вода не нагревается	1. Отключено электропитание.	1. Включите электропитание устройства.
	2. Недостаточный поток воды для срабатывания.	2. Увеличьте подачу воды.
	3. Реле защиты утечек выключено.	3. Отрегулируйте реле защиты от утечек и снова подключите его.
	4. Микрокомпьютер неисправен.	4. Отключите реле защиты от утечек и снова подключите его.
	5. Поломка нагревательной трубки.	5. Обратитесь в сервисный центр.
Вода недостаточно горячая	1. Установлена слишком низкая температура.	1. Установите более высокую температуру.
	2. Чрезмерная подача воды.	2. Уменьшите подачу воды.
Слишком высокая температура воды	1. Установлена слишком высокая температура.	1. Установите более низкую температуру.
	2. Недостаточная подача воды.	2. Увеличьте подачу воды.
Недостаточный напор из крана горячей воды	1. Засорился фильтр входного патрубka.	1. Очистите фильтр входного патрубka.
	2. Засорилась душевая лейка.	2. Очистите душевую лейку.
	3. Слишком низкое давление воды.	3. Увеличьте давление воды.
Размыкание	1. Низкая мощность или неисправность реле защиты от утечек.	1. Замените реле защиты от утечек.
	2. Утечка электричества.	2. Обратитесь в сервисный центр.
Отображается  Мигает E5	Нет связи.	Обратитесь в отдел послепродажного обслуживания.
Отображается  Мигает HE	Перегрев.	1. Включите подачу холодной воды, чтобы охладить устройство, или дайте устройству остыть естественным образом, чтобы убрать сигнал перегрева. 2. Если описанное выше действие не помогло, обратитесь в отдел послепродажного обслуживания.
Отображается  Мигает E5	Ошибка обнаружения нулевого уровня.	Обратитесь в отдел послепродажного обслуживания для ремонта.
Отображается  Мигает E1	Неисправность выходного датчика температуры.	Обратитесь в отдел послепродажного обслуживания для ремонта.

## 11. ЭЛЕКТРИЧЕСКИЕ СХЕМЫ



Электрическая схема может быть изменена без предварительного уведомления.

Рисунок Н

## 12. УПАКОВОЧНЫЙ ЛИСТ

Устройство в сборе	1 шт.	Саморез	3 шт.
Руководство по эксплуатации	1 шт.	Гранулы клея	2 шт.
Подвесная панель	1 шт.	Проточный клапан	1 шт.
Прокладка	3 шт.		

## 13. СРОК ЭКСПЛУАТАЦИИ

Срок эксплуатации водонагревателя составляет 8 лет при условии соблюдения правил его установки и эксплуатации.

## 14. ПРАВИЛА УТИЛИЗАЦИИ

По окончании срока эксплуатации необходимо утилизировать это устройство в соответствии с применяемыми местными правилами, нормами и требованиями. Не выбрасывайте устройство вместе с бытовыми отходами. По окончании срока эксплуатации устройства доставьте его в пункт приема вторсырья для утилизации, если это предусмотрено требованиями, действующими в вашем регионе. Это поможет избежать отрицательного воздействия на окружающую среду и на здоровье людей, а также будет способствовать повторному использованию деталей устройства. Для получения сведений о том, где и как можно утилизировать устройства, обратитесь в соответствующие местные организации.



## 15. ГАРАНТИЯ И ОБСЛУЖИВАНИЕ

Если вам нужна информация или у вас возникли проблемы, посетите сайт [www.philips.com](http://www.philips.com) или обратитесь в центр обслуживания клиентов в вашей стране. Если в вашей стране нет центра обслуживания клиентов, обратитесь к местному дилеру. **В течение двух лет** с даты покупки вы получите компоненты или бесплатное гарантийное обслуживание на любые повреждения, вызванные производственным процессом при нормальной эксплуатации, подтвержденной нашей службой технического обслуживания. Гарантийное обслуживание не включает периодически заменяемые расходные материалы, вспомогательные устройства, транспортные расходы и доставку «от двери до двери». Пожалуйста, покажите документ, подтверждающий покупку, обслуживающему персоналу во время технического обслуживания.





Register your product and learn more via the website link below:  
[www.philips.com/water](http://www.philips.com/water)

Specifications are subject to change without prior notice

© 2023 AquaShield

All rights reserved.

Philips and the Philips Shield Emblem are registered trademarks of Koninklijke Philips N.V. and are used under license.

This product has been manufactured by and is sold under the responsibility of Hong Kong AquaShield Health Technology Company Limited and Hong Kong AquaShield Health Technology Company Limited is the warrantor in relation to this product.

Rev A AUG 23

