

# SP 010 P

|  |  |   |
|--|--|---|
| <b>MODEL</b><br><b>SPIDOGLOSS SP010P</b> | <ul style="list-style-type: none"> <li>• <b>Black smooth surfaces</b></li> </ul> | <ul style="list-style-type: none"> <li>• <b>Max. temperature 400°C</b></li> </ul> |
|  | <ul style="list-style-type: none"> <li>• <b>Manual Control</b></li> </ul>        | <ul style="list-style-type: none"> <li>• <b>Glass ceramic</b></li> </ul>          |



## DESCRIPTION

Professional Contact Cooking System with Glass Ceramic plates, suitable for cooking a wide array of different foods, as such: toast, sandwich, meat, fish, vegetables, eggs, etc. High quality cooking result thanks to heat distribution uniformity and use of shock resistance, non-stick, non-porous and impermeable to smells and tastes Glass Ceramic Cooking Surfaces.

High versatility of use thanks to **SHB™ Plus** technology which allows combined heating (contact + infrared) and high cooking Temperature setting.

Up to 60% saving in Preheating Time thanks to **SHB™ Plus**. Up to 60% saving in Energy consumption thanks to the **Protek.Safe™** high efficiency insulation system which eliminates unnecessary energy loss.

## STANDARD COOKING FEATURES

### SETTINGS:

- Manual Control
- Temperature set: 120 °C – 400 °C.

## STANDARD TECHNICAL FEATURES

- **Single Black Smooth Glass Ceramic cooking plate:**  
1 250x250 mm.
- Stainless Steel Case
- Ergonomic Handle
- Self-locking Handle Bracket
- 4 Non-Slip Feets
- Removable Dip Tray
- ON/OFF button and LED light

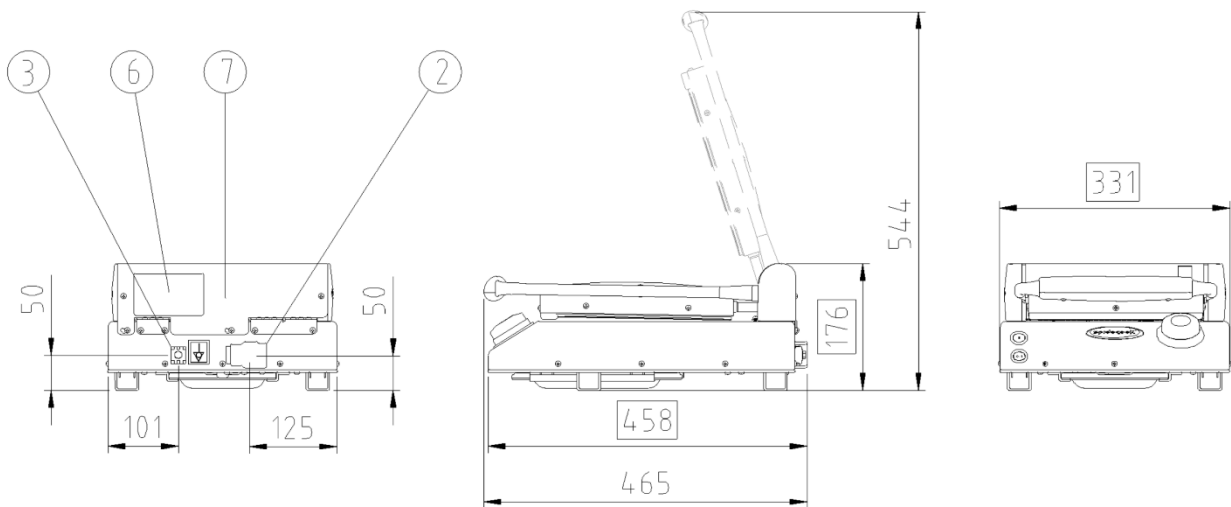
## ACCESSORIES

- **METAL SCRAPER**  
Metallic scraper for Glass Ceramic Surfaces (included)
- **SPIDO CLEAN SPRAY DETERGENT**  
750 ml Spray Detergent for Glass Ceramic and Steel Surfaces (to be purchased separately)



# SP 010 P

Views  
Connection positions  
Dimensions and Weights  
Installation requirements  
Power supply



### CONNECTION POSITIONS

|   |                             |
|---|-----------------------------|
| 2 | Terminal board power supply |
| 3 | Unipotential terminal       |
| 6 | Technical data plate        |
| 7 | Safety thermostat           |

### DIMENSIONS AND WEIGHT

|            |        |
|------------|--------|
| Width      | 331 mm |
| Depth      | 458 mm |
| Height     | 176 mm |
| Net Weight | 10 Kg  |

### INSTALLATION REQUIREMENTS

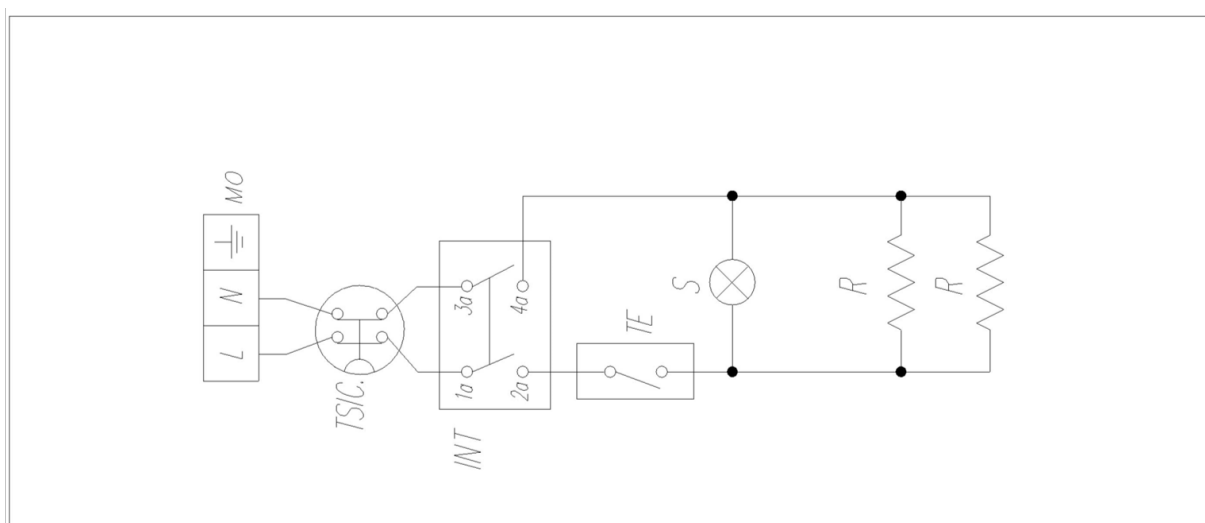
Installations must conform to all local electrical systems, specifically minimum wire gauge required for field connection, hydraulic and ventilation codes.

### POWER SUPPLY

|                         | STANDARD                       |
|-------------------------|--------------------------------|
| Voltage                 | 230 V                          |
| Phase                   | 1PH+N+PE                       |
| Cycle                   | 50-60 Hz                       |
| Power                   | 1.5 kW                         |
| Maximum Amp Draw        | 6,5 A                          |
| Power cable requirement | H07RN-F 3G 1.5 mm <sup>2</sup> |
| Cord diameter           | 10 mm                          |
| Plug                    | SCHUKO                         |

# SP 010 P

Wiring diagrams



### WIRING DIAGRAMS

|     |                   |
|-----|-------------------|
| INT | Switch            |
| MO  | Terminal board    |
| R   | Heating element   |
| S   | Pilot light       |
| TE  | Thermostat        |
| TS  | Safety thermostat |