


# SP 020 XR

<b>MODEL</b> <b>SPIDOGLOSS SP020XR X.PRO</b>	<ul style="list-style-type: none"> <li>• <b>Upper Ribbed, lower smooth surfaces</b></li> </ul>	<ul style="list-style-type: none"> <li>• <b>Max. temperature 350°C</b></li> </ul>
	<ul style="list-style-type: none"> <li>• <b>Digital Control</b></li> </ul>	<ul style="list-style-type: none"> <li>• <b>Glass ceramic</b></li> </ul>



**DESCRIPTION**

Professional Contact Cooking System with Glass Ceramic plates, suitable for cooking a wide array of different foods, as such: toast, sandwich, meat, fish, vegetables, eggs, etc. High quality cooking result thanks to heat distribution uniformity and use of shock resistance, non-stick, non-porous and impermeable to smells and tastes Glass Ceramic Cooking Surfaces.

High versatility of use thanks to **SHB™ Plus** technology which allows combined heating (contact + infrared) and high cooking Temperature setting.

Up to 60% saving in Preheating Time thanks to **SHB™ Plus**.

Up to 60% saving in Energy consumption thanks to the **Protek.Safe™** high efficiency insulation system which eliminates unnecessary energy loss.

**STANDARD COOKING FEATURES**

**SETTINGS:**

- **X.TOUCH™** Digital Control
- Temperature set: 0 °C -350 °C.
- Timer function
- Alarm end-of-cooking cycle
- Up to 4 setting programmes
- Stand by mode
- Timer mode

**PROGRAMS:**


- Time and Temperature Values storing

**STANDARD TECHNICAL FEATURES**

- **Double Black Ribbed/Smooth Glass Ceramic cooking plates:**  
2 250x250 mm.
- Stainless Steel Case
- Ergonomic Handle
- Self-looking Handle Bracket
- 4 Non-Slip Feets
- Removable Dip Tray
- ON/OFF button and LED light

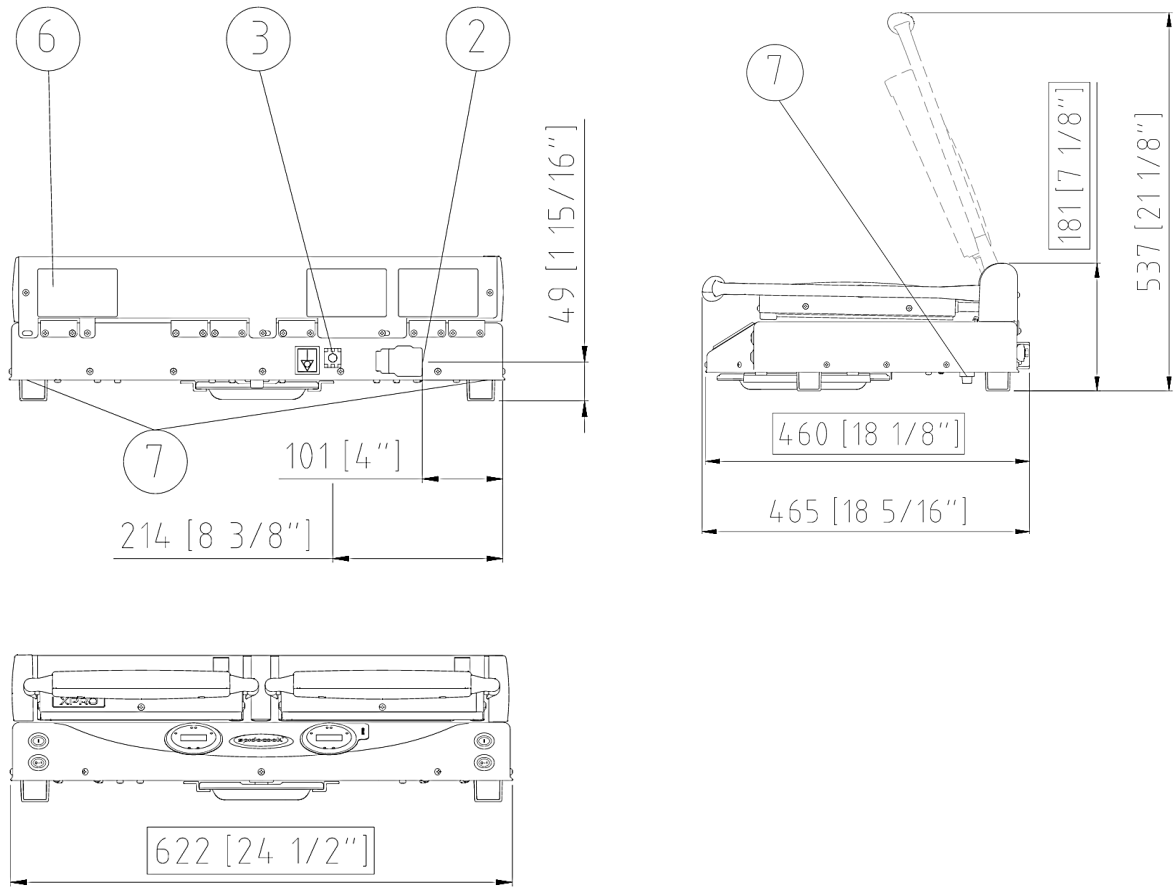
**ACCESSORIES**

- **METAL SCRAPER**  
Metallic scraper for Glass Ceramic Surfaces (included)
- **SPIDO CLEAN SPRAY DETERGENT**  
750 ml Spray Detergent for Glass Ceramic and Steel Surfaces (to be purchased separately)



# SP 020 XR

Views  
Connection positions  
Dimensions and Weights  
Installation requirements  
Power supply



### CONNECTION POSITIONS

2	Terminal board power supply
3	Unipotential terminal
6	Technical data plate
7	Safety thermostat

### DIMENSIONS AND WEIGHT

Width	622 mm
Depth	460 mm
Height	181 mm
Net Weight	10 Kg

### INSTALLATION REQUIREMENTS

Installations must conform to all local electrical systems, specifically minimum wire gauge required for field connection, and ventilation codes.

### POWER SUPPLY

	STANDARD
Voltage	230 V
Phase	1PH+N+PE
Cycle	50-60 Hz
Power	3 kW
Maximum Amp Draw	12,7 A
Power cable requirement	H07RN-F 3G 1.5 mm <sup>2</sup>
Cord diameter	10 mm
Plug	SCHUKO

# SP 020 XR

Wiring diagrams

