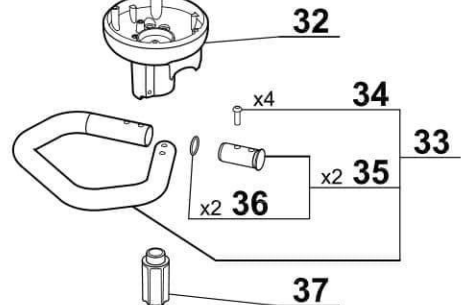
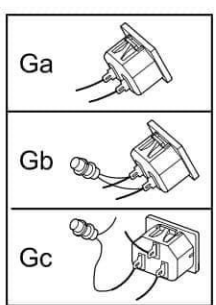


**Indique un choix à faire selon X X X.**  
**Indicates a choice to be made according to X X X.**

X X X	<b>G</b>	<b>H</b>
647	Ga	Ha
730	Ga	Hb
758 (BRAZIL)	Gb	Ha
758	Ga	
769	Ga	
886	Gc	



Index PDF	Reference	Designation commerciale
A	89136	POWER CORD
B	89146	MP600 PCB 230V
C	89976	INDUCED CIRC
D	89535	BRUSH ASSEMBLY(x2)
E	89011	ELECT WIRING ASSEMBLY
F	89201	MP800C COMPLETE MOTOR BLOC EUR
Ga	89148	CONNECTOR
Gb	89276	CONNECTOR INDICATOR LIGHT MP 230V
Ha	89145	HANDLES MP (L+R)+SCREW+ SCREW CAP
M	89021	MOTOR
P	89615	RECTIFIER BRIDGE
1	89001	COMPLETE FOOT ASSEMBLY
2	89002	FOOT ASSEMBLY MP800T
3	89003	COMPLETE DRIVING SHAFT ASSEMBLY MP800T
4	89004	DRIVING SHAFT
5	89643	FOOT KIT
6	89006	FOOT BEARING
7	89624	STAINL ST DRIVING FRAME
8	89628	MP/CMP FOOT SEAL
9	89241	COMPLETE REINFORCED STAINLESS STEEL BELL COVER
10	39345	BLADE
11	89625	DRIVING HUB
12	89533	WATERPROOFNESS KIT
14	89508	GRID (x2)
15	89662	DISMOUNTING TOOL

16	89007	WALL BRACKET
17	89262	POWER CORD DISASSEMBLY TOOL
18	89622	SCREW M4x60
19	89156	LOCKING ARM+SCREW+CAP SCREW KIT
20	89155	PRESENCE ARM+SCREW+CAP SCREW KIT
21	89530	KNOBS KIT
22	89365	MICROSWITCH
23	89364	COMMAND ARM KIT
24	89300	[Spare parts translation not found]
25	89631	SCREWED SPACER
26	89620	MOTOR FERRULE
27	89573	VENTILATOR
28	89577	AIR CONDUCTOR
29	89569	VENTILATOR PIPE
30	89507	MOTOR BEARING
31	89008	FERRULE
32	89009	ALUMINIUM CASING
33	89000	ST STEEL HANDLE
34	89022	HANDLE SCREW AFS
35	89023	CAP AFS
36	89024	SEAL CAP AFS
37	89010	DRIVING HUB