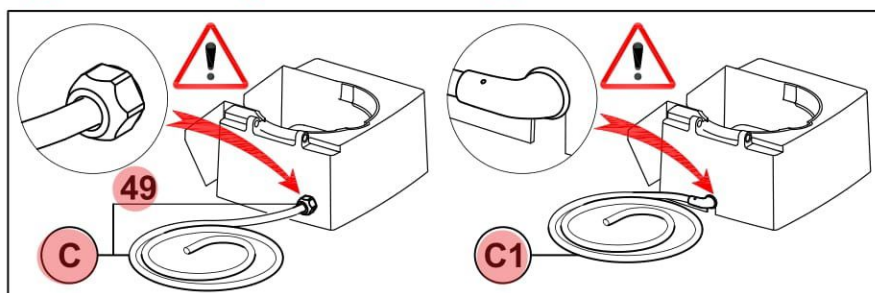
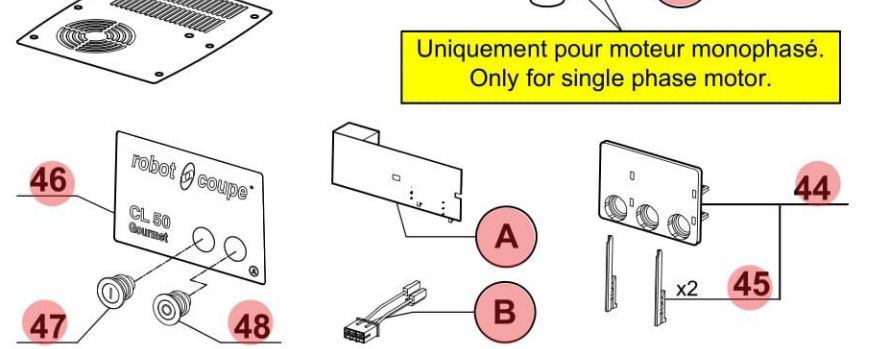
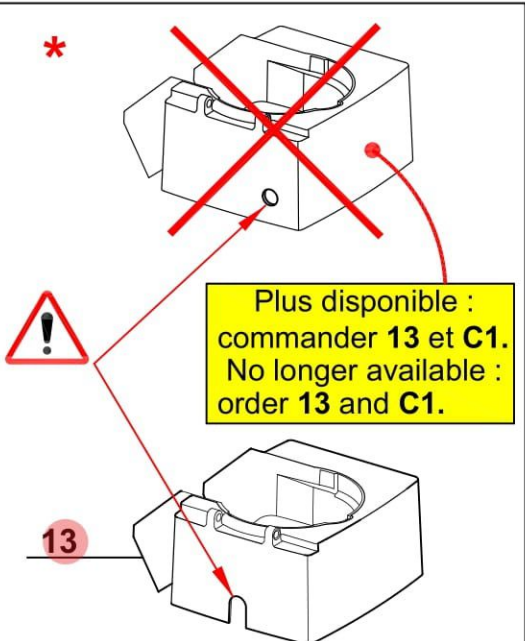


Uniquement pour moteur monophasé.  
 Only for single phase motor.



	110308S	
39	203015 203015S	KEY
40	39709	BALL BEARING ASSEMBLY
41	203068 203068S	C-RING
42	510217 510217S	BEARING
43	203206 203206S	C-RING
44	29533	PCB SUPPORT ASSEMBLY
45	117703	PCB LOCKING KEY
46	404004	FRONT PLATE
47	502170 502170S	FLAT GREEN KNOB I
48	502169 502169S	FLAT RED KNOB
49	507343 507343S	CORD PROTECTOR

<b>Index PDF</b>	<b>Référence</b>	<b>Designation commerciale</b>	<b>Tarif</b>
A	102481S	PCB CL50E /1	
C	39957	POWER CORD	
C1	39699	POWER CORD	
D	29530	MOTOR PULLEY ASSEMBLY	
E	118512 118512S	FAN	
F	600457	BEARING	
M	3114S	MOTOR	
X	600018S	CAPACITOR 60µF 250V	
Y	500289S	MOTOR RELAY	
1	39711	COMPLETE LID GOURMET A	
2	39701	PUSHER ASSEMBLY AFS	
3	117452 117452S	HANDLE PUSHER	
4	39702	PUSHER GUIDE ASSEMBLY + AXLE	
5	39703	PUSHER GUIDE ASSEMBLY AFS	
6	100638 100638S	PUSHER GUIDE RING	
7	39704	GUIDE AXLE ASSEMBLY	
8	39705	SHOULDERED RING X2	
9	29501	CLINCH CLIP D ASSEMBLY	
10	39715	INTERMEDIATE SHAFT ASSEMBLY	
11	39714	BUSHINGS SET	
12	102690 102690S	GREY SLING PLATE	
13	39706	BOWL ASSEMBLY AFS	
14	100703 29061	HINGE PIN	

15	117686	COVER BASE
16	117687	BOTTOM PLATE
17	39276	GREY FEET ASSEMBLY D 30 (X4)
18	117450S	[Spare parts translation not found]
19	117467S	[Spare parts translation not found]
20	29451 129451S	REED SWITCH ASSEMBLY
21	39716	MINI BOWL AFS
22	502768 502768S	KEY
23	39712	GEARS BOX ASSEMBLY
24	117469	SCREW CAP
25	39720	SCREW AFS
26	117465	UPPER MOTOR ENCLOSURE
27	117468	PINION
28	117476	PINION
29	117466	LOWER MOTOR ENCLOSURE
30	507341	BELT
31	39707	TRANS SUPPORT ASSEMBLY
32	405529 105529S	DRIVING PULLEY ASSEMBLY
33	510218 510218S	SOCKET AFS
34	405531 105531S	TRANS SUPPORT ASSEMBLY
35	39708	RECEPT SHAFT ASSEMBLY
36	101547	DEFLECTOR
37	501678 501678S	MOTOR SEAL
38	440308	MOTOR SHAFT PIN