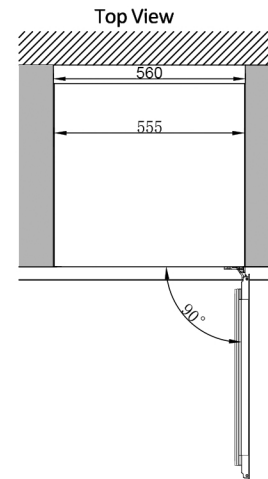
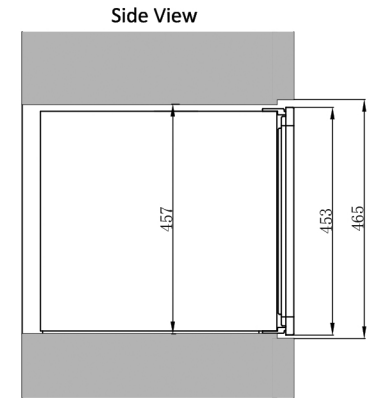
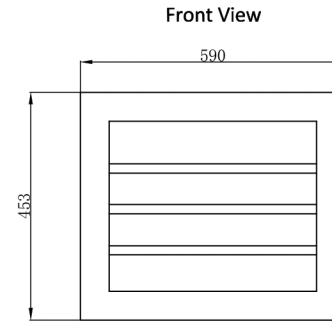
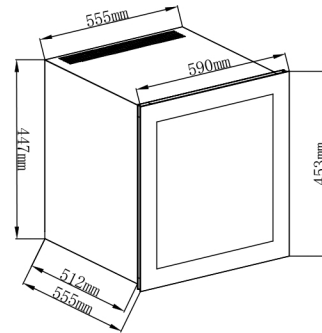
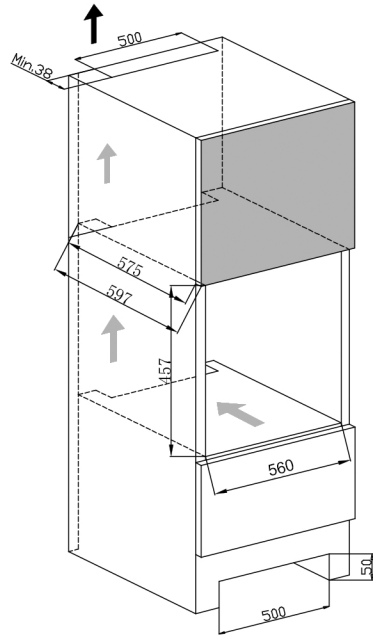


DUNAVOX BALANCE-24.TO

DXB-24.51B.TO

DUNAVOX JOY-24

DXJ-24.51B



Front and rear plinth ventilation is needed.

