

1PIDC30N
1PIDC60N
1PIDC80N
1PIDC90N
1PIDC120N

BARAZZA
taste of design

IT Manuale d'installazione ed uso
EN Use and installation manual
DE Bedienungs-und Montageanleitung
ES Manual de instalación y uso
FR Manuel d'installation et d'utilisation

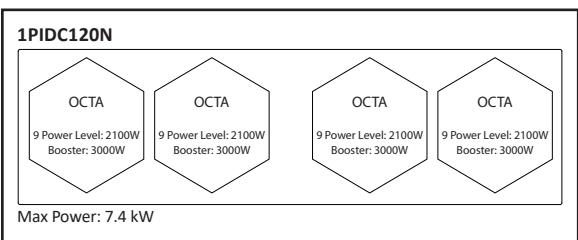
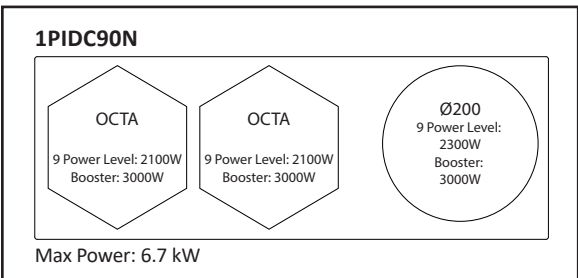
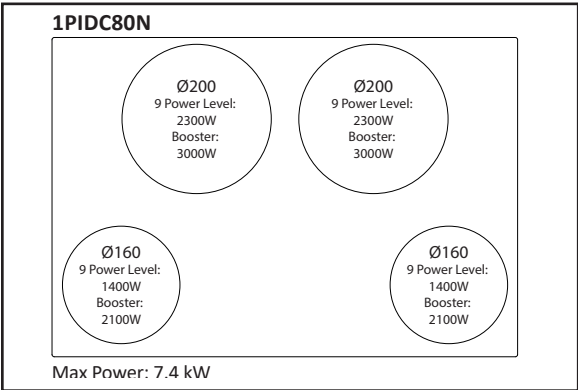
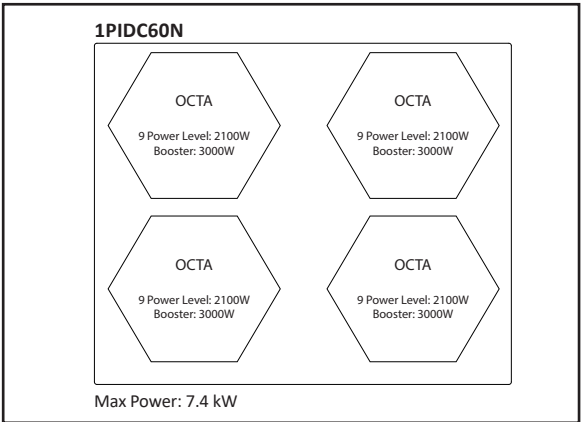
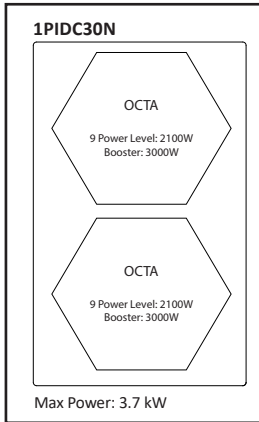


Fig. 1/A
1PIDC30N

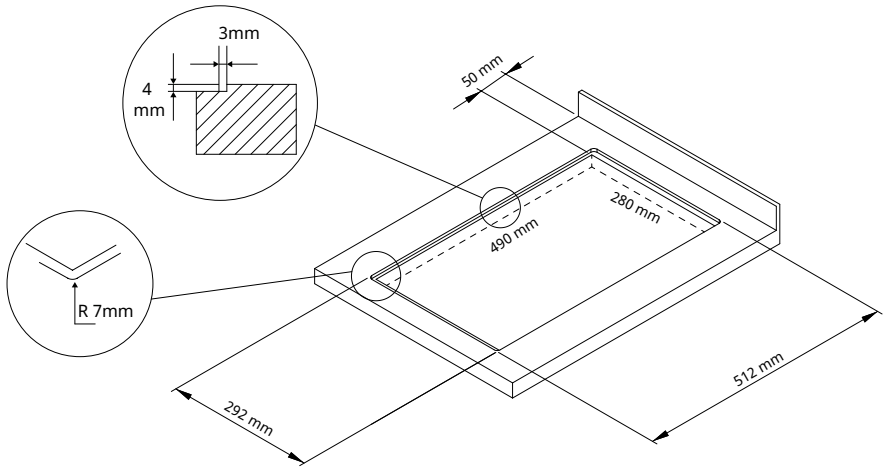
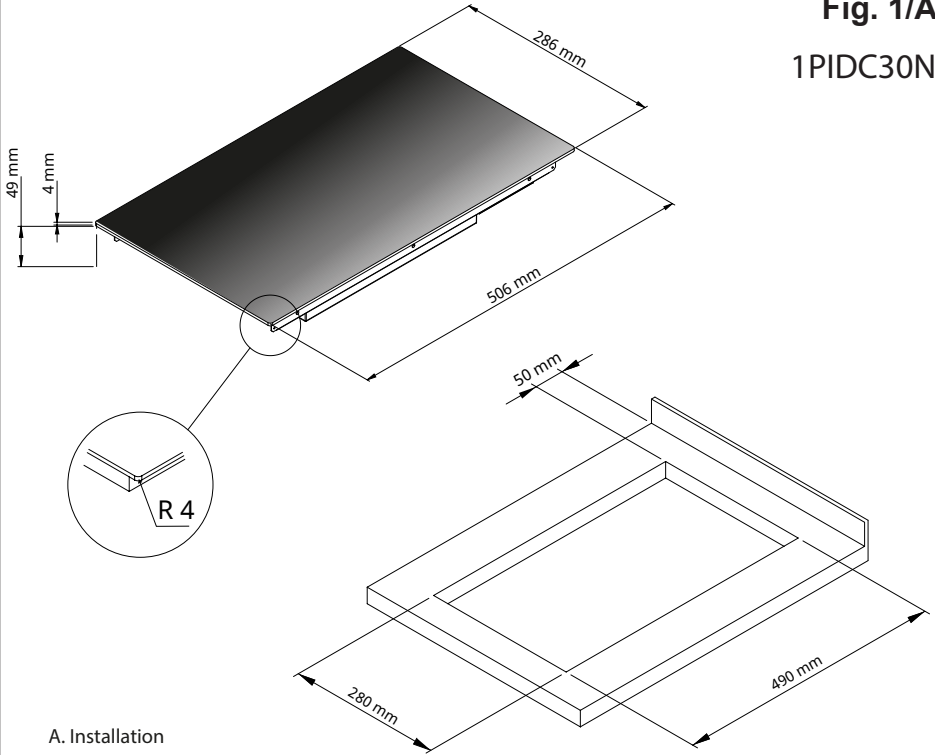
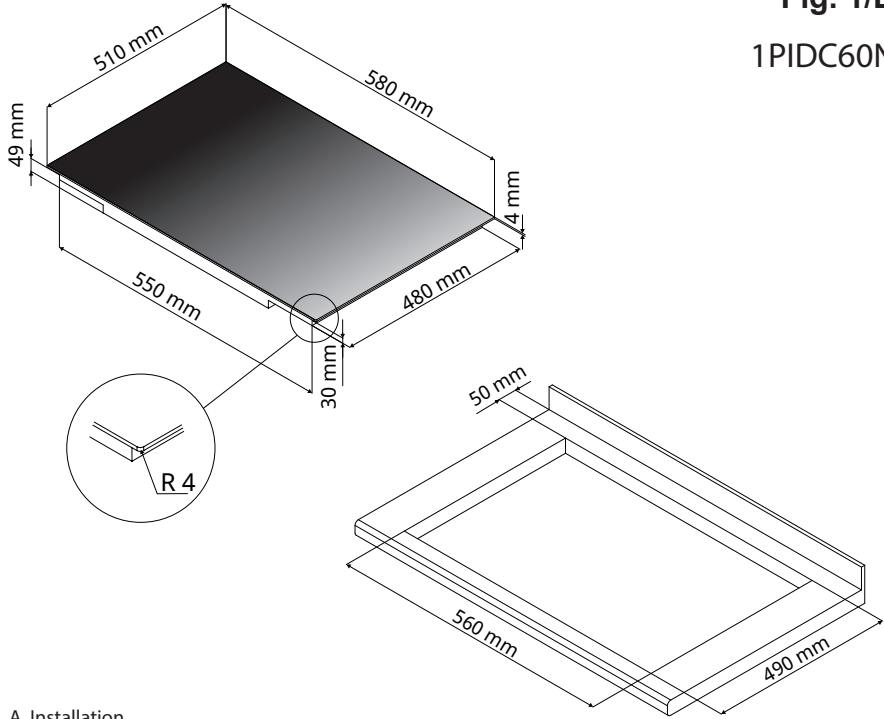
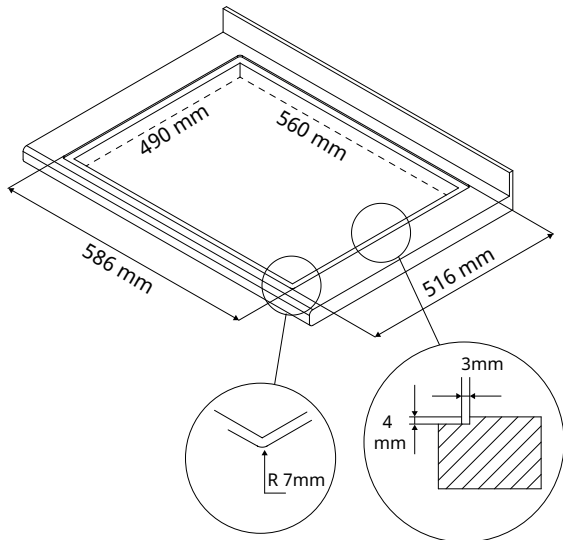


Fig. 1/B
1PIDC60N



A. Installation



B. Installation - Flush mode

Fig. 1/C
1PIDC80N

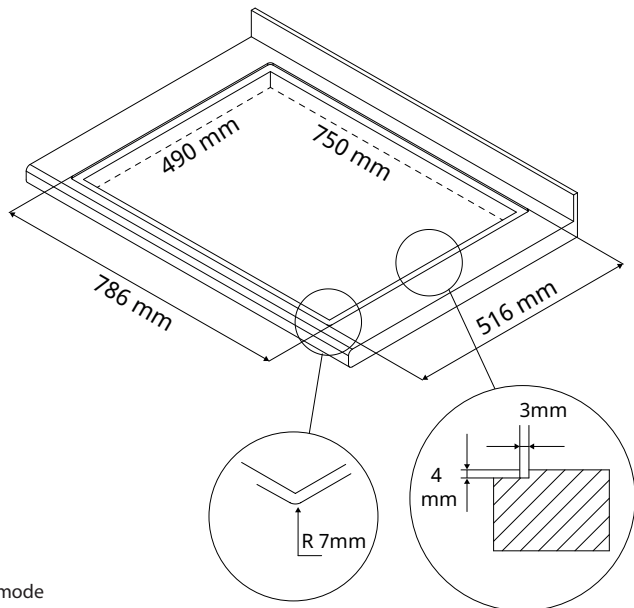
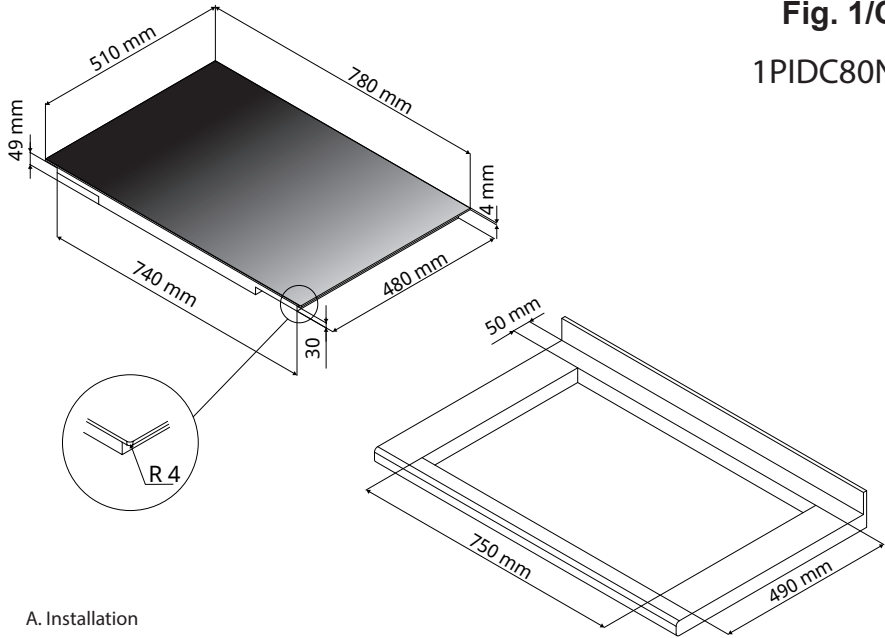
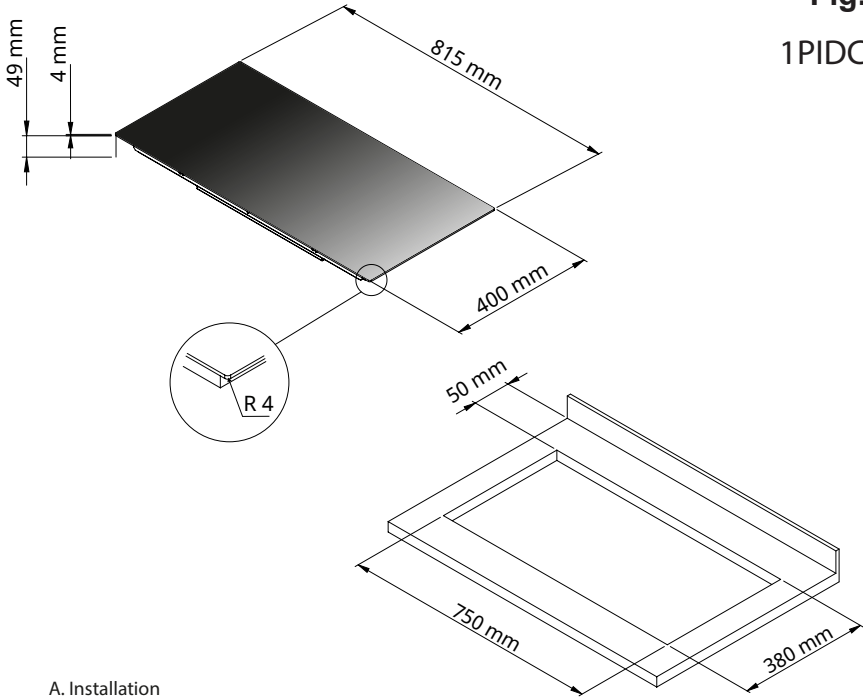
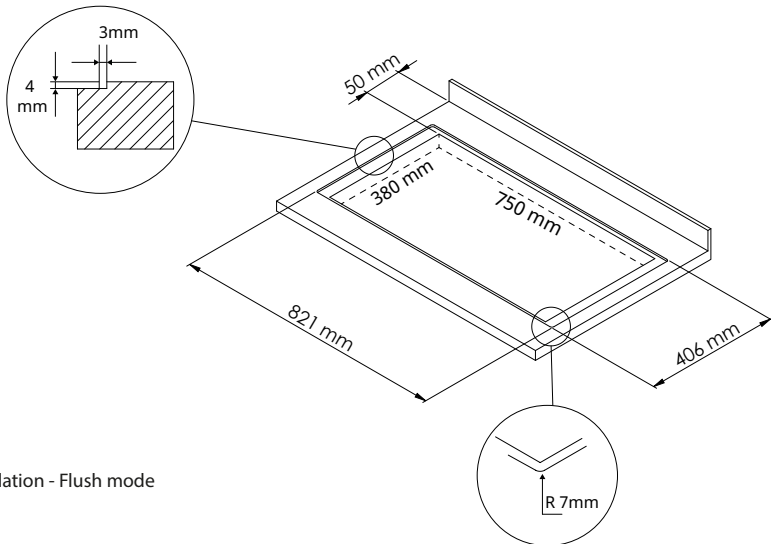


Fig. 1/D
1PIDC90N

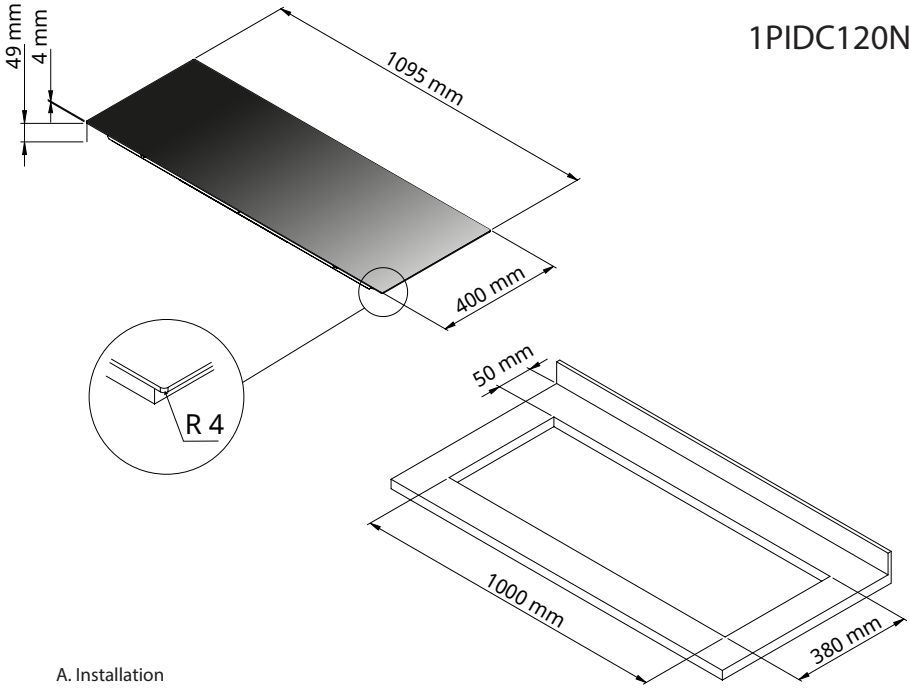


A. Installation

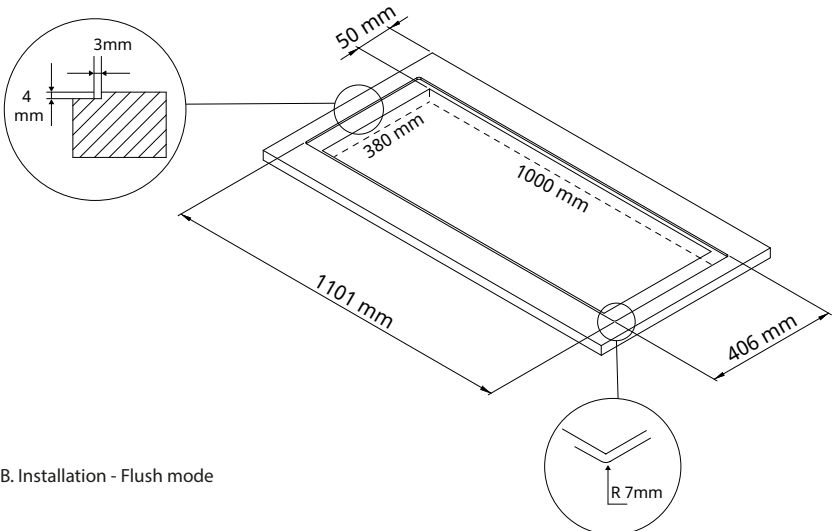


B. Installation - Flush mode

Fig. 1/E
1PIDC120N



A. Installation



B. Installation - Flush mode

Fig. 2

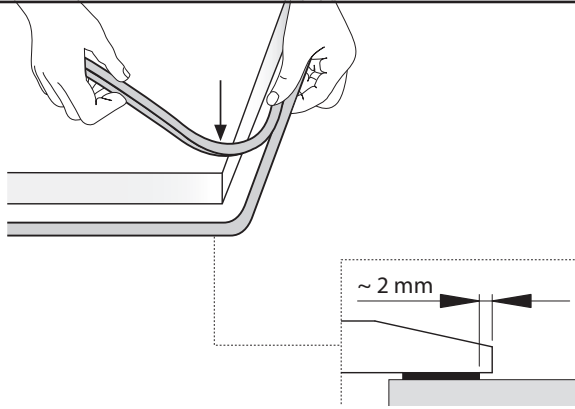


Fig. 3

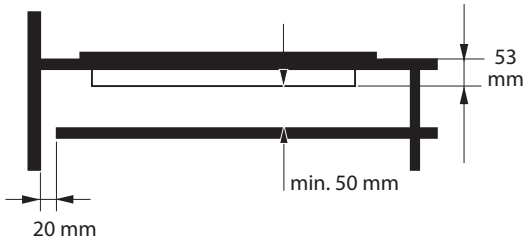


Fig. 4

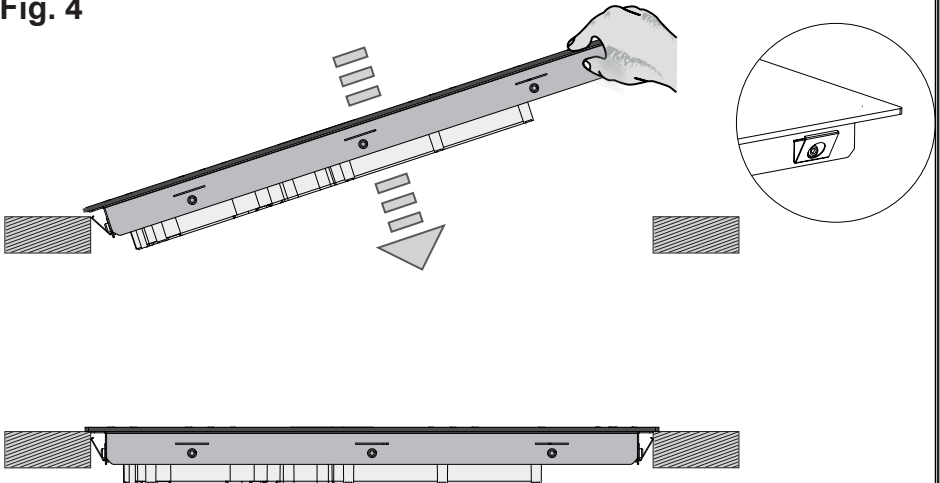


Fig. 5

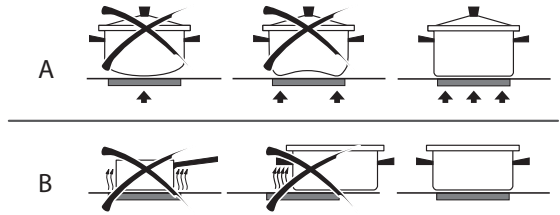
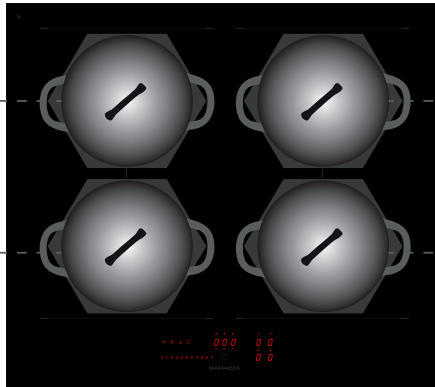


Fig. 6/A

1PIDC60N

~~X~~ $\leq \varnothing 90 \text{ mm}$
✓ $\geq \varnothing 110 \text{ mm}$



~~X~~ $\leq \varnothing 90 \text{ mm}$
✓ $\geq \varnothing 110 \text{ mm}$

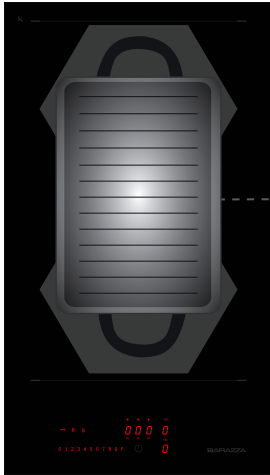
~~X~~ $\leq \varnothing 190 \text{ mm}$
✓ $\geq \varnothing 230 \text{ mm}$



~~X~~ $\leq \varnothing 190 \text{ mm}$
✓ $\geq \varnothing 230 \text{ mm}$

Fig. 6/B

1PIDC30N



X $\leq \varnothing 90 \text{ mm}$

✓ $\geq \varnothing 110 \text{ mm}$

X $\leq \varnothing 190 \text{ mm}$

✓ $\geq \varnothing 230 \text{ mm}$

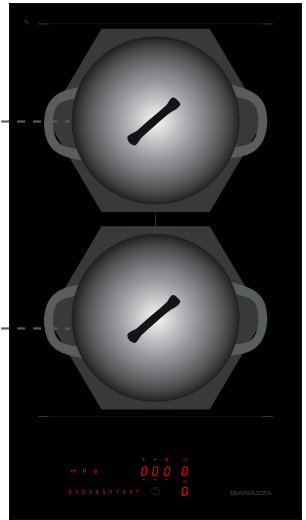
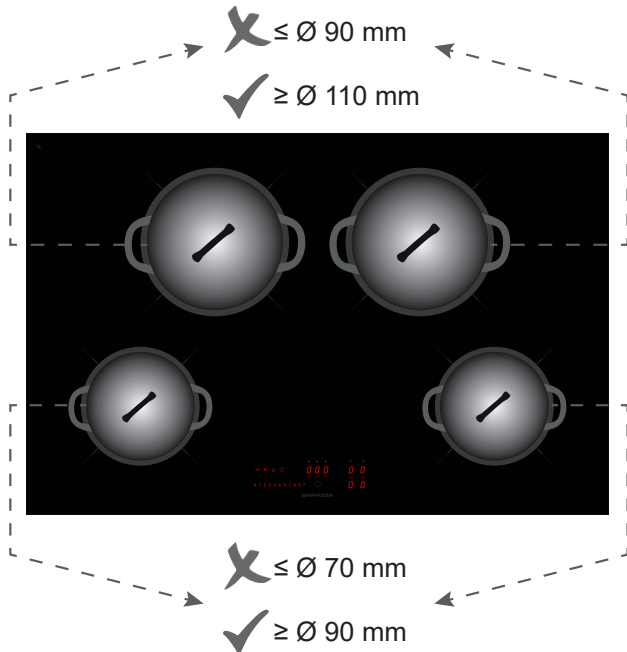


Fig. 6/C

1PIDC80N



X $\leq \varnothing 90 \text{ mm}$

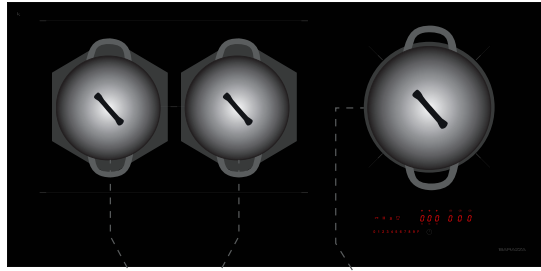
✓ $\geq \varnothing 110 \text{ mm}$

X $\leq \varnothing 70 \text{ mm}$

✓ $\geq \varnothing 90 \text{ mm}$

Fig. 6/D

1PIDC90N

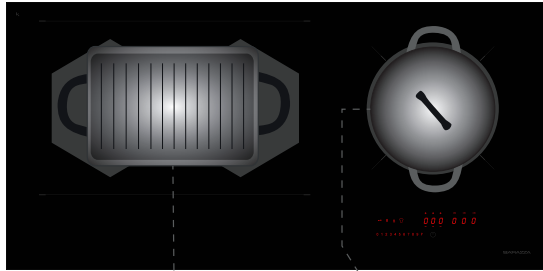


✗ ≤ Ø 90 mm

✓ ≥ Ø 110 mm

✗ ≤ Ø 90 mm

✓ ≥ Ø 110 mm



✗ ≤ Ø 190 mm

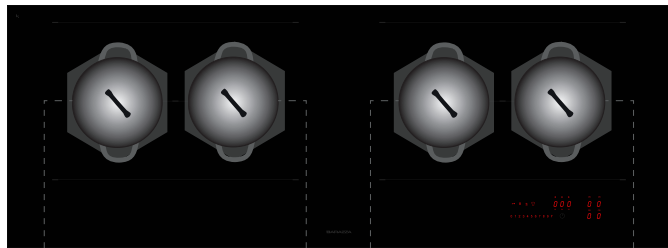
✓ ≥ Ø 230 mm

✗ ≤ Ø 90 mm

✓ ≥ Ø 110 mm

Fig. 6/E

1PIDC120N



✗ ≤ Ø 90 mm

✓ ≥ Ø 110 mm

✗ ≤ Ø 90 mm

✓ ≥ Ø 110 mm



✗ ≤ Ø 190 mm

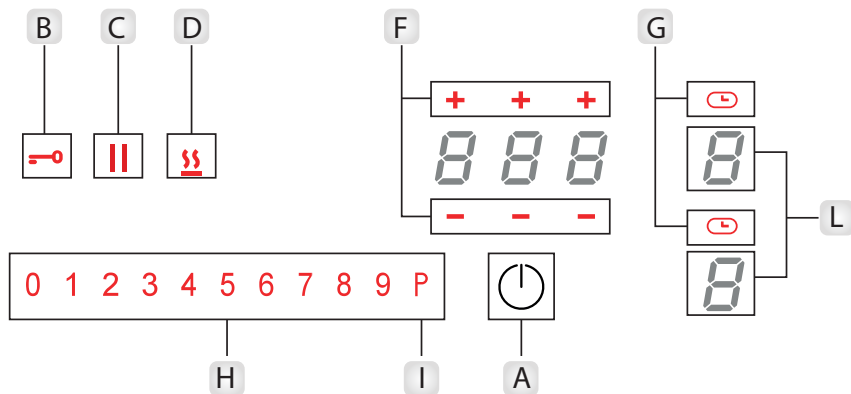
✓ ≥ Ø 230 mm

✗ ≤ Ø 190 mm

✓ ≥ Ø 230 mm

Fig. 7/A

1PIDC30N



EN

- A_Power on Key
- B_Key lock
- C_Pause and Recall
- D_Keep warm key
- F_Timer level increment / Timer level decrement
- G_Timer On
- H_Power level setting display
- I_Booster
- L_Cooking zone display

IT

- A_Accensione/Spegnimento
- B_Blocco tasti
- C_Pausa & Richiamo
- D_Funzione per tenere calda la pentola
- F_Regolazione timer (+ / -)
- G_Timer delle zone cottura
- H_Slider di potenza
- I_Booster
- L_Display delle zone cottura

ES

- A_Tecla ON/OFF
- B_Bloqueo mandos
- C_Pausa y llamada
- D_Mantenga la llave caliente
- F_Incremento del nivel del temporizador / Disminución del nivel del temporizador
- G_Timer encendido
- H_Visualización del ajuste del nivel de potencia
- I_Booster
- L_Visualización de la zona de cocción

DE

- A_EIN- / AUS-Taste
- B_Tastensperre
- C_Pause und Recall
- D_Warmhaltefunktion
- F_Timer einstellen (+ / -)
- G_Kochzonen-Timer
- H_Leistungsstufe einstellen
- I_Booster
- L_Kochzonen-Anzeiger

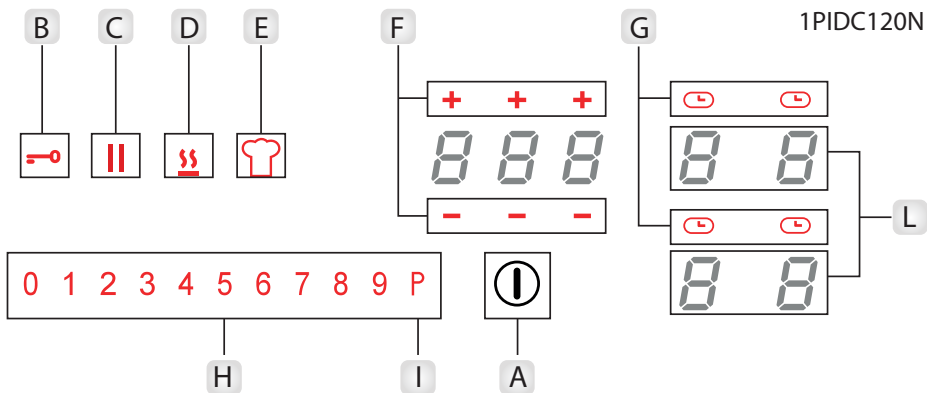
FR

- A_Allumage/Extinction
- B_Verrouillage des commandes
- C_Pause et Recall
- D_Maintien au chaud
- F_Régler le minuteur
- G_Minuteur des zones de cuisson

- H_Slider de puissance
- I_Booster
- L_Afficheur des zones de cuisson

Fig. 7/B

1PIDC60N
1PIDC80N
1PIDC120N



EN

- A_Power on Key
- B_Key lock
- C_Pause and Recall
- D_Keep warm key
- E_Chef cook function
- F_Timer level increment / Timer level decrement
- G_Timer On
- H_Power level setting display
- I_Booster
- L_Cooking zone display

IT

- A_Accensione/Spengimento
- B_Blocco tasti
- C_Pausa & Richiamo
- D_Funzione per tenere calda la pentola
- E_Funzione cuoco
- F_Regolazione timer (+ / -)
- G_Timer delle zone cottura
- H_Slider di potenza
- I_Booster
- L_Display delle zone cottura

ES

- A_Tecla ON/OFF
- B_Bloqueo mandos
- C_Pausa y llamada
- D_Mantenga la llave caliente
- E_Función de cocinero chef
- F_Incremento del nivel del temporizador /
Disminución del nivel del temporizador
- G_Timer encendido
- H_Visualización del ajuste del nivel de potencia
- I_Booster
- L_Visualización de la zona de cocción

DE

- A_EIN / AUS-Geschmack
- B_Tastensperre (alle Tasten sind gesperrt /
Kindersicherung)
- C_Pause und Rückruf
- D_Schlüssel warm halten
- E_Kochfunktion
- F_Timer Level Inkrement/Timer Level Dekrement
- G_Ein Timer
- H_Anzeige der Leistungsstufeneinstellung
- I_Booster
- L_Anzeige der Kochzone

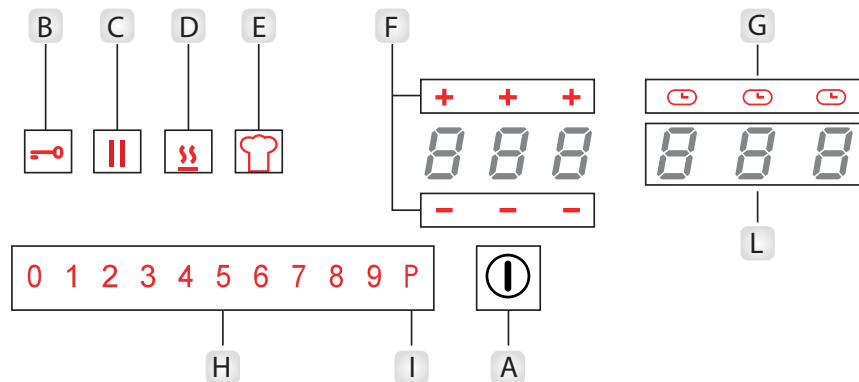
FR

- A_Allumage/Extinction
- B_Verrouillage des commandes
- C_Pause et Recall
- D_Maintenance au chaud
- E_Fonction chef cuisinier
- F_Régler le minuteur

- G_Minuteur des zones de cuisson
- H_Slider de puissance
- I_Booster
- L_Afficheur des zones de cuisson

Fig. 7/C

1PIDC90N



EN

- A_Power on Key
- B_Key lock
- C_Pause and Recall
- D_Keep warm key
- E_Chef cook function
- F_Timer level increment / Timer level decrement
- G_Timer On
- H_Power level setting display
- I_Booster
- L_Cooking zone display

IT

- A_Accensione/Spegnimento
- B_Blocco tasti
- C_Pausa & Richiamo
- D_Funzione per tenere calda la pentola
- E_Funzione cuoco
- F_Regolazione timer (+ / -)
- G_Timer delle zone cottura
- H_Slider di potenza
- I_Booster
- L_Display delle zone cottura

ES

- A_Tecla ON/OFF
- B_Bloqueo mandos
- C_Pausa y llamada
- D_Mantenga la llave caliente
- E_Función de cocinero chef
- F_Incremento del nivel del temporizador / Disminución del nivel del temporizador
- G_Timer encendido
- H_Visualización del ajuste del nivel de potencia
- I_Booster
- L_Visualización de la zona de cocción

DE

- A_EIN- / AUS-Geschmack
- B_Tastensperre (alle Tasten sind gesperrt / Kindersicherung)
- C_Pause und Rückruf
- D_Schlüssel warm halten
- E_Kochfunktion
- F_Timer Level Inkrement/Timer Level Dekrement
- G_Ein Timer
- H_Anzeige der Leistungsstufeneinstellung
- I_Booster
- L_Anzeige der Kochzone

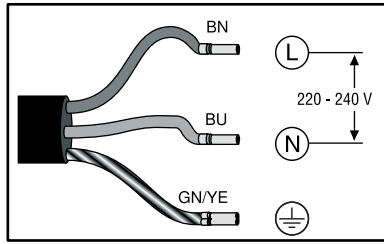
FR

- A_Allumage/Extinction
- B_Verrouillage des commandes
- C_Pause et Recall
- D_Maintien au chaud
- E_Fonction chef cuisinier
- F_Régler le minuteur

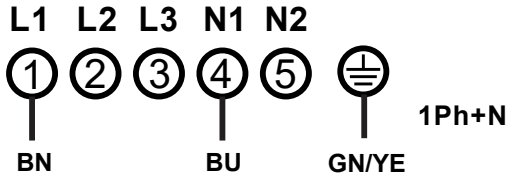
- G_Minuteur des zones de cuisson
- H_Slider de puissance
- I_Booster
- L_Afficheur des zones de cuisson

Fig. 8/A

1PIDC30N



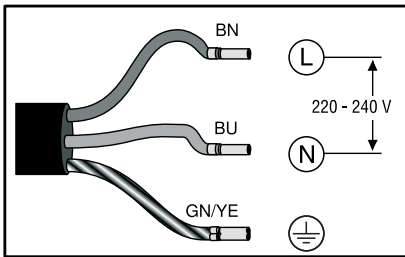
BN: brown | BU: blue | GN/YE: green/yellow



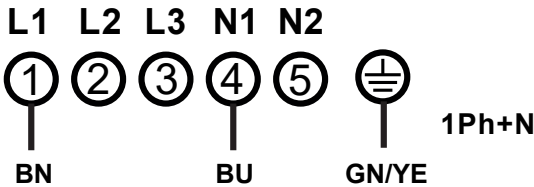
220-240 V ~ 50/60 Hz

H05V2V2 - F 3X2.5 mm²

SUPPLIED



BN: brown | BU: blue | GN/YE: green/yellow



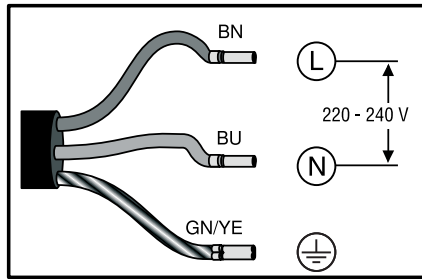
220-240 V ~ 50/60 Hz

H05V2V2 - F 3X1.5 mm²

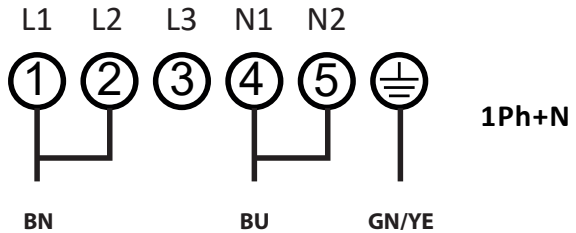
OPTIONAL

Fig. 8/B

1PIDC60N
 1PIDC80N
 1PIDC90N
 1PIDC120N



BN: brown | **BU:** blue | **GN/YE:** green/yellow



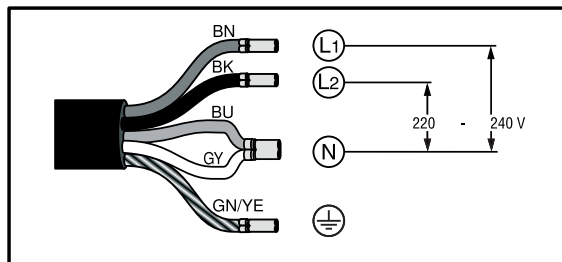
SUPPLIED



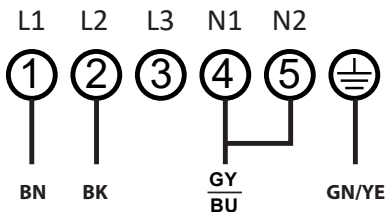
220-240 V ~ 50/60 Hz

H05V2V2-F 3x4 mm²

OPTIONAL



BN: brown | **BK:** black | **GY:** grey | **BU:** blue | **GN/YE:** green/yellow



2Ph+N

380-415 V 2N ~ 50/60 Hz

H05V2V2-F 5x1.5 mm²

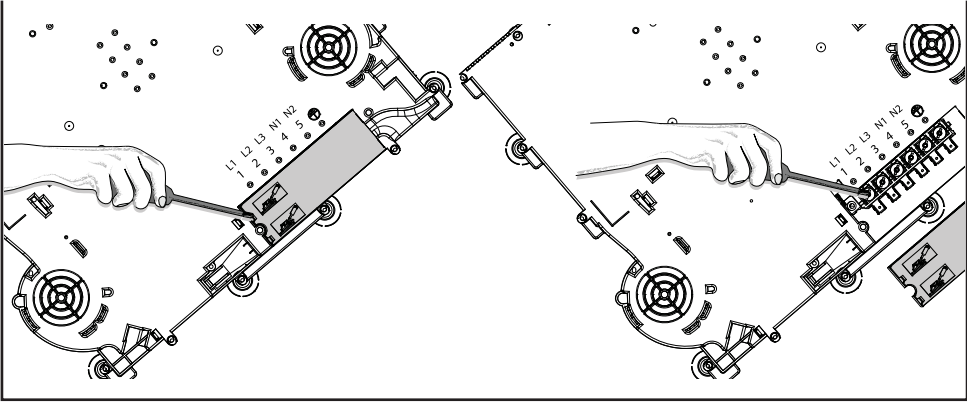
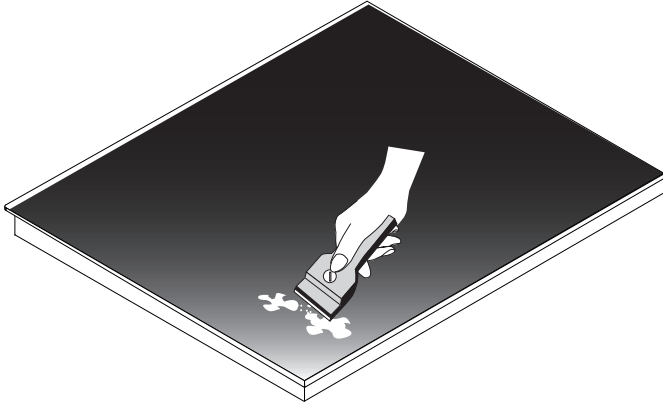


Fig. 9



GENERAL INFORMATION

Carefully read this use and maintenance manual, where important information about installation, use and maintenance safety is provided. Keep this manual for future reference. Any installation operation (electric connections) shall be performed by specialized personnel, in compliance with all standards and regulations in force.

SAFETY WARNING

Use the cooktop only in household-type situations for the preparation and warming of food. All other types of use are not permitted.

- This appliance is not intended for use by persons (including children) with reduced physical, sensory or mental capabilities, or lack of experience and knowledge, unless they have been given supervision or instruction concerning use of the appliance by a person responsible for their safety.
- Children under 8 years of age must be kept away from the cooktop unless they are under constant supervision. Children should be supervised to ensure that they do not play with the appliance.
- This appliance can be used by

children aged from 8 years and above and persons with reduced physical, sensory or mental capabilities or lack of experience and knowledge if they have been given supervision or instruction concerning use of the appliance in a safe way and understand the hazards involved.

- Children shall not play with the appliance.
- Cleaning and user maintenance shall not be made by children without supervision.
- Installation, repair and maintenance work should only be performed by an authorized service technician. Work by unqualified persons could be dangerous for the user.

• **RISK OF ELECTRIC SHOCK!**

If the cooktop is defective or chipped, cracked or broken in any way, immediately switch it off and do not continue to use it. Disconnect it from the electrical power supply.

- **WARNING:** If the surface is cracked, switch off the appliance to avoid the possibility of electric shock, for hob surfaces of glass-ceramic or similar material which protect live parts.
- **WARNING:** The appliance and its accessible parts become hot during use. Care should be taken to avoid touching heating elements.

- **WARNING:** Unattended cooking on a hob with fat or oil can be dangerous and may result in fire. NEVER try to extinguish a fire with water, but switch the appliance off and then cover the flame e.g. with a lid or a fire blanket.

- **WARNING:** The cooktop is hot during use and it remains so for some time after being switched off. The risk of burns remains until the residual heat indicators have gone out.

- **WARNING:** Use only hob guards designed by the manufacturer of the cooking appliance or indicated by the manufacturer of the appliance in the instructions for use as suitable or hob guards incorporated in the appliance. The use of inappropriate guards can cause accidents.

- **CAUTION:** The cooking process has to be supervised. A short term cooking process has to be supervised continuously.

- **DANGER OF FIRE:** Do not store items on the cooking surfaces! Metallic objects such as knives, forks, spoons and lids should not be placed on the hob surface since they can become hot.

- Always switch the cooking zones off after use!

- The appliance is not intended to be operated by means of an external timer or separate

remote-control system. This is not applicable in case of switching-off the operation by means of the devices covered by EN 50615.

- The steam cleaner can not be used.

The manufacturer's trademark and model type can be found in the lower part of the device, visible after opening the doors or drawers.

INSTALLATION INSTRUCTIONS

These installation instructions are intended for a specialized installer and are meant as guidelines for the hob installation, adjustment and maintenance, in compliance with any regulations and standards in force. If a built-in oven or any other appliance generating heat is to be mounted directly under the vitro-ceramic hob, **IT IS NECESSARY THAT SUCH AN APPLIANCE (the oven) AND THE VITRO-CERAMIC HOB ARE PROPERLY INSULATED.** Failure to comply with this precaution might result in the incorrect operation of the TOUCH CONTROL system.

• Positioning:

This household appliance has been designed for built-in installation onto a worktop, as shown in the figure (Fig. 1- Cut dimensions). Use sealing material along the whole perimeter (Fig.2). This operation is necessary in order to prevent any liquid from entering inside the hob, being that the flatness of the top, the glass and their coupling cannot be assured. Gently push the appliance into the built-in hole (Fig.4). If, after installation, the lower part of the appliance is accessible from the lower part of the cabinet, it will be necessary to mount a spacing panel at the distances given (Fig.3).

• Electric connections (Fig.8):

- The installation of this appliance and the connection to the electrical network should be entrusted only to an electrician perfectly to the fact of the normative regulations and which respects them scrupulously.
- Protection against the parts under tension must be ensured after the building-in.
- The data of connection necessary are on the stickers place on the hob casing near the connection box.
- The connection to the main must be made using an earthed plug or via an omnipolar circuit breaking device with a contact opening of at least 3 mm.
- The electrical circuit must be separated from the network by adapted devices, for example: circuit breakers, fuses or contactors.
- If the appliance is not fitted with an accessible plug, disconnecting means must be incorporated in the fixed installation, in accordance with the installation regulations.
- The inlet hose must be positioned so that it does not touch any of the hot parts of the hob.

Caution!

These models can only be connected to the following networks:

- Mod. 1PIDC120N: 220-240V~50/60 Hz
380-415 V 2N ~ 50/60 Hz
- Mod. 1PIDC90N: 220-240V~50/60 Hz
380-415 V 2N ~ 50/60 Hz
- Mod. 1PIDC80N: 220-240V~50/60 Hz
380-415 V 2N ~ 50/60 Hz
- Mod. 1PIDC60N: 220-240V~50/60 Hz
380-415 V 2N ~ 50/60 Hz
- Mod. 1PIDC30N: 220-240V~50/60 Hz

Connect always the earth wire.

Respect the connection diagram.

The connection box is located underneath at the back of the hob casing. To open the cover use a medium screwdriver. Place it in the slits and open the cover.

Caution!

Be careful that the cables are correctly engaged and tightenet.

We cannot be held responsible for any incident resulting from incorrect connection or which could arise from the use of an appliance which has not been earthed or has been equipped with a faulty earth connection.

Equipment complying with IEC 61000-3-12

USE AND MAINTENANCE

• Maintenance (Fig.9):

Remove any food residue and grease drops from the cooking surface, by using the special scraper provided on request.

Clean the heated area in the best way possible, using suitable products and a paper towel, then rinse with water and wipe away with a clean cloth. Through the use of the special scraper (optional), promptly remove any pieces of aluminum foil and plastic material, which might have accidentally melted, or sugar or food remains, and/or remains of sugary foods, from the heated surface. In this way, any possible damage to the surface is prevented.

The use of abrasive sponges or irritating chemical cleaners, such as sprays for ovens or cleaning agents is not allowed under any circumstance.

• Use:

Use the touch control system in the corresponding position according to individual cooking needs. Keep in mind that the higher the number, the more heat is produced.

The command offer a convenient handling as selections are performed by touching directly on the display:

- the active selection is displayed with high intensity;
- available selections are displayed with a low intensity;
- unavaible selections are not lighted.

• Function (Fig.7):


- A - On/Off key
- B - Control Lock key
- C - Pause/recall key
- D - Keep warm key
- E - Chef Cook
- F - Timer level increment / Timer level decrement
- G - Timer On
- H - Power level setting display
- I - Booster
- L - Cooking zone display

• Switching the cooking top ON/OFF:

Touch A key to switch the top on, the power level lights up. The power levels for all cooking zones are “•” (the cooking zone displays are OFF). The cooktop switches OFF automatically after 20 sec. if all cooking levels are set to 0 and no operation is performed. To switch the appliance you have to just touch the A Key. For safety reasons, switching OFF the cooktop via the ON/OFF (A Key) key is always possible.

• Pan detection:

This cooktop is fitted with an interactive control system that makes it very easy and comfortable to use. After switching on the cooktop, when you put a cookware on the glass, the control system automatically detects it, and the display of relative cookzone shows 0. You then just have to set the expected cooking level.

If you remove the pot on that cookzone, the display shows .

• Switching the cooking area ON/OFF:

Put a cookware on the desired cooking zone and press your finger on L keys zone. Then the command shows the H zone. Press H key zone to go to position 9 (max. power) or to go to position 1 (min. power). The power of the single cooking zone can be adjusted in 9 different positions and will be shown on the relative luminous display with a number from “1 to 9”.

To switch OFF that cooking zone you have to press 0 in the H key zone, and automatically the display of the zone shows 0 (in the L key zone).

• Booster function:

The booster enables the induction to dissipate a higher power for a cooking zone for a short period of time (5 min).

As the booster function may reach high temperatures, it must only be used for cooking processes using water. Oil or fat may start to burn if booster is used.

Choose the desired cooking zone L, then type the P symbol on the H zone. The booster for the selected cooking zone is activated, and now the relative display shows P.

To remove the function, select a cooking level for

the cooking zone the booster function is currently active. The booster function is terminated and the cooking zone is heated with the new selected cooking level.

• Residual heat indication:

If the temperature of the cooking zone is still high (over 60°) after it has been switched off, the relative display will indicate the H symbol (residual heat). The symbol will only switch off when the burn risk is no longer present.

• Timer function:

There are 2 different types of timers. If more than one timer is set, the timer will always display the lowest remaining time. Both the timers can be adjusted within a range of 1 min to 9 h 59 min.

• Stand alone Timer / Cooking zone Timer:

The *Stand alone timer* has the behavior of an egg timer. To active this function, ensure that no cooking zone has been selected, the timer show “_”, touch the timer, which display 00 flashing for the next 10 sec. Adjust the desired start time digit for digit +/-, do not perform any action for about 5 sec. The timer starts counting backwards. Beneath 10 min, the display shows the current time accurate to the second. If it has reached 0, a signal tone will be emitted. To change the value of the Stand-alone timer, the user has to ensure that no cooking zone has been selected, then touch the timer key, set the new desired time, and finally after 5 sec, the timer starts counting backwards starting with the new time. To disable this function, first of all ensure that no cooking zone has been selected, then touch the timer key, the current time value is displayed flashing, set the Stand-alone time to “000”, at this point the function is deactivated.

The *Cooking zone Timers* can be used to switch a cooking zone OFF automatically after the set time has run out. To activate this function, the user can select the corresponding cooking zone, touch the relative Timer key G, then adjust the desired start time (+/-), if do not perform any action for about 5 sec, the timer starts counting backwards. To change the value of the cooking zone timers, select the corresponding cooking zone, touch the time, and set the new desired time (+/-), do not perform any action for 5 sec., the the timer starts counting backwards starting with the new time. To

disable this timer, the user have to set the cooking zone time to "000".

• Pause function:

Pause function is a feature to "freeze" the cooktop for max. 10 min. For example, if the user is leaving the cooktop for a short period of time. During the pause function is active, no cooking zone is dissipating any power, and all timers (including egg timer) are suspended, moreover the booster function and heat-up automatic is stopped.

To activate this function press C, all displays (L zone) show // . To deactivate press C and arbitrary other key within 10 sec.

• Recall function:

This feature enables recovering power levels and timer settings after the cooktop has been switched OFF unintendedly. For example, the cooktop has just been switched off, the user can switch the cooktop ON again via the ON/OFF key (A key) within 6 sec. Then the Pause symbol will flash for 6 sec., now the user have to touch the Pause symbol (C key), at this point the Recall function becomes active. All power levels, timers and heat-up automatics set before are recovered.

• Control Lock key :


Key lock is a functionality intended to lock the keys during the cooktop is in operation or in pause state. This is useful for cleaning purposes as the touch control is unable to differentiate a wet cloth from a finger. When the cooktop is switched ON, the user can touch the Key Lock (B key) for 1 sec., and all keys except the key Lock and ON/OFF are locked. When the key lock is active, pressing all the unlit keys (all except ON/OFF and Key Lock) will result in a reject tone. To deactivate the key lock, touch the Key Lock again, at this point the cooktop can be operated regularly.

• Child Lock key :


This function is useful to protect the cooktop against unintended operation, for example by children. If locked, the cooktop may be turned ON, but no cooking zone, heating level or timer may be selected. To active this function, the user have to power the cooktop ON, touch and hold L zone for an arbitrary cooking zone for 3 seconds, slide

the H zone, from 0 to 9. This sequence must be finished within 10 seconds. The display shows L for active childlock. To disable the function: power the cooktop ON, touch and hold L zone for 3 sec., then slide the H zone from 9 to 0 within 10 sec. Now the child lock key is de.activated.

• Bridge function (for the octa zones):

Bridging of 2 cooking zones is the connection of 2 single cooking zones, so they can be controlled and will behave as one large cooking zone. This enables using cookware which has a larger bottom surface than a single cooking zone. To active this function, the user have to touch both cooking zone's simultaneously (L zone), in this way the cooking zones are bridged, and one display shows , and the other the power level. To disable the bridge, the user have to touch both cooking zone's simultaneously. In this way, the cooking zones are split into 2 separate zones again.

• Heat-up Automatic:

Heat-up automatic is a feature which enables heating up a cold pot with full heating power and returning automatically to the desired cooking level. The time during the cooking zone is heated with full power is depending on the selected cooking level. To active the Heat up automatic, you have to hold continuous the desired cooking level (H zone) for at least 3 sec, the display shows . To disable this function, touch and hold the cooking zone command (L zone) for 3 sec. or select a smaller cooking level.

Cooking level	Heat-up Automatic time(sec)
1	48
2	144
3	230
4	312
5	408
6	120
7	168
8	216
9	not available
P	not available

• Chef Cook Function:

Chef Cook function is a features which enables 3 cooking zones with different heating powers. Starting from the left to the right.

To activate this function, touch the Chef Cook function (E key).

To disable it, touch the Chef Cook function key.

The following power levels are set and dissipated as soon as a suitable cookware is placed onto the cooking zones:

Number zone	Power level
2	2
1	6
4	9

• Warming level:

This function is used to keep boiled food warm. The power level is between 0 and 1. To activate the warming level you have to select the zone (L zone), and press the D key. The display will show



• Power management:

The hob support power management to prevent the mains connection from overloading. The power management is prioritizing: the cooking zone which heating power has been increasing at last will get the desired heating power, and the other cooking zone will be reduced. The reduction of power will be signaled to the operator by flashing OFF of the cooking level (L zone) and the its power will be reduced.

• Power settings:

The power of the all hob can be set from its maximum (7.4 kW / 6.7 kW / 3.7 kW) to a minimum of 1.4 kW, using a step of 100w (0.1 kW), until a minimum of 1.4W by the user menu.

The user menu is intended for the customer, to adapt it to his personal needs.

To enter in the user menu, the control must be in stand-by mode, touch ON / OFF (A key) to turn on the Touch Control. Then press the ON / OFF control (A key) again within 3 sec. At this point, the led of the "special" function (B) of the key will appear. Command (B) will be active for 60 sec. maximum, after which you will automatically exit the menu. By pressing, within these 60 seconds, and holding down B key, the LEDs of the cooking zones (L area) appear; at this point the user must press the cooking zones (L area) clockwise; now in the L area will appear "U" and a number (which identify the menus kind), to manage the power you have to choose "U". Now the user can press where is show the power, and with the slider (H area) it's possible to manage the power.

To confirm it, simply press the OFF key (A).

In the following table there are described the implemented user menu items:

Item	Meaning	Changeable	Value Format	Remark
U0	Max. power per line conductor	Yes	2.4 ... 5	Setting the max. allowed power per line conductor. The max. power is defined inside the service menu and can only be reduced in steps of 0.1 kW until the minimum power.
U1	Filter setting	Yes	0,1,2	Filter changes: 0 - 150h (default) 1 - 300h 2 - 400h
U2	Volume for button tones	Yes	0...3	Adjustment of the volume for button tones 0: no button tones 1: min. volume 2: mid. volume 3: max. volume Notes: For normative reasons, button tones for switching ON and OFF cannot be disabled. They will be emitted with last volume level which has been set before disabling the button tones. Tones for errors are always emitted with max. volume (setting 3) and cannot be disabled
U3	Volume for signal tones	Yes	0...3	Adjustment of the volume for signal tones (ex: when timer runs out) 0: min. volume ... 3: max. volume
U4	Display brightness	Yes	0...9	Adjustment of the brightness for the display 0: Max. brightness ... 9: Min. brightness
U5	Timer animation	Yes	0...1	0: No Timer animation 1: Timer is animated 10 min. before expiration
U7	Behavior when timer has run out	Yes	0...2	0: Signal tone for 120 sec. 1: Signal tone for 10 sec. 2: No tone

• Operation Time Limitation:

The Operation Time Limitation is an additional safety feature to turn OFF cooking zone after certain time with no operation to the corresponding cooking zone by the user. The time after which the cooking zone is turned OFF is mentioned in the table below.

Each user operation related to the cooking zone will reset this time limit.

Cooking level	Max. Operation time (h)
Warming level 1	2
1	6
2	6
3	5
4	5
5	4
6	1.5
7	1.5
8	1.5
9	1.5
P	5 min.

TIPS ON SAVING ENERGY

- Use a lid whenever possible to minimise heat loss.
- Select a smaller pan when cooking small quantities. A smaller pan uses less energy than a larger pan with very little in it.
- Cook with as little water as possible.
- Once food has come to the boil or the oil in the pan is hot enough for frying, reduce the heat to a lower setting.
- Use a pressure cooker to reduce cooking times.

DISPOSAL OF OLD ELECTRICAL APPLIANCES



The European Directive 2002/96/EC on Waste Electrical and Electronic Equipment (WEEE), requires that old household electrical appliances must not be disposed of in the normal unsorted municipal waste stream. Old appliances must be collected separately in order to optimise the recovery and recycling of the materials they contain and reduce the impact on human health and the environment.

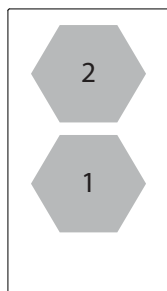
The crossed-out dustbin symbol on the product reminds you of your obligation regarding separated waste collection. Consumers should contact their local public service or their local dealer for more information on the correct disposal of exhausted household appliances.

THE MANUFACTURER DECLINES ALL RESPONSIBILITY FOR EVENTUAL DAMAGES CAUSED BY BREAKING THE ABOVE WARNINGS. THE WARRANTY IS NOT VALID IN THE CASE OF DAMAGE CAUSED BY FAILURE TO COMPLY WITH THE ABOVE-MENTIONED WARNINGS.

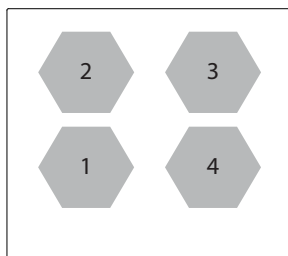
Information for household electric hobs

In acc. with regulation (EU) No. 66/2014

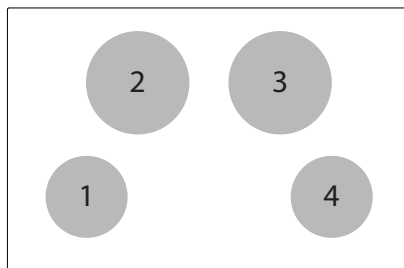
<i>Model name/ identifier</i>	1P IDC30N	1P IDC60N	1P IDC80N	1P IDC90N	1P IDC120N
Type of hob	built-in	built-in	built-in	built-in	built-in
Number of cooking zones and/ or areas	2	4	4	3	4
Heating technology Induction cooking zones and cooking areas, radiant cooking zones	1. = Induction 2. = Induction	1. = Induction 2. = Induction 3. = Induction 4. = Induction	1. = Induction 2. = Induction 3. = Induction 4. = Induction	1. = Induction 2. = Induction 3. = Induction	1. = Induction 2. = Induction 3. = Induction 4. = Induction
For circular cooking zones: diameter of useful surface area/mm cooking zone. For non-circular cooking zones or areas: length and width of useful surface area per electric cooking zone or area mm	1. = Octa 2. = Octa	1. = Octa 2. = Octa 3. = Octa 4. = Octa	1. = Ø 160 2. = Ø 200 3. = Ø 200 4. = Ø 160	1. = Octa 2. = Octa 3. = Ø 200	1. = Octa 2. = Octa 3. = Octa 4. = Octa
Energy consumption per cooking zone or area calculated per Kg (EC _{electric cooking}) Wh/Kg	1. = 189,7 2. = 189,7	1. = 189,7 2. = 189,7 3. = 189,7 4. = 189,7	1. = 179 2. = 193,3 3. = 193,3 4. = 179	1. = 189,7 2. = 189,7 3. = 193,3	1. = 189,7 2. = 189,7 3. = 189,7 4. = 189,7
Energy consumption for the hob calculated per kg (EC _{electric cooking}) Wh/Kg	189,7	189,7	186,1	190,9	189,7



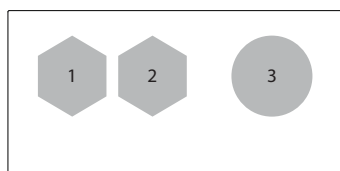
1P IDC30N



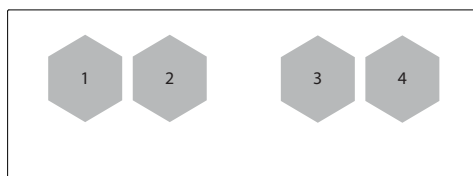
1P IDC60N



1P IDC80N



1P IDC90N



1P IDC120N

• Error Code:

Error Code	Meaning	Behavior	Possible Causes	Remedy
E2	Overheat of temperature sensor for cooking zone	Corresponding cooking zone is turned OFF	Empty cookware	Do not heat-up empty pots
			Wrong cookware	Use appropriate cookware
			Pot or glass temperature is too high. Electronic temperature too high	Cool down system
E3	Wrong pot	Corresponding cooking zone(s) is/are turned OFF	Cookware is losing its magnetic characteristics	Use appropriate cookware
			Internal error in generator's circuitry	Contact technical support
			Pot creates on the module an improper operating point which can destroy devices, e.g. IGBT.	1. The error is automatically cancelled after 8s and the cooking zone can be used again. In case of further upcoming errors the pots have to be changed. 2. Contact technical support.
E4	Configuration error	Cooking zone cannot be turned ON	Induction module is not configured yet	Contact technical support.
			Induction module configuration data error	Erase and re-configure cooking zone. Contact technical support.
E5	No communication between User Interface and Induction Generator	Cooking zone cannot be turned ON	LIN cabling or power supply cabling defective (e. g. missing line conductor)	Contact technical support.
			No mains voltage on slave boards	Contact technical support.
			Internal error in generator's or filter's circuitry	Contact technical support.
			(Mixed version) HiLight Relay Voltage Error - Defect hardware device	Contact technical support.
			Error configuration data	Contact technical support.

E6	Power supply voltage is out range (voltage and/or frequency)	Cooking zone cannot be turned ON	Power supply voltage is out of range (see technical data for details)	Contact technical support.
			Wrong mains frequency or mains voltage phase signal problems	Contact technical support.
			Internal error in generator's circuitry	Contact technical support.
E7	Internal error	Cooking zones are turned OFF	-	Contact technical support.
E8	Fan failure	Corresponding cooking zone is turned OFF	Fan blocked by dust or fabrics	Clean and remove foreign bodies
			Fan or module electronics defective	Contact technical support.
E9	Temperature sensor error for cooking zone	Corresponding cooking zone is turned OFF	Temperature sensor line for cooking zone is open or short-circuited	Contact technical support.
EA	Internal error	Cooking zones are turned OFF	-	Contact technical support.
			Flash checksum error	Contact technical support.
			IGBT- Idle current too high	Contact technical support.
			Heat sink sensor broken or shorted	Contact technical support.
			EEPROM- data Error	Contact technical support.
			Coil selection error Defect inductor or wrong inductor	1. Re-plug 2. Contact technical support.
			MCU internal register setting	Contact technical support.
			Gate power voltage out of range	Contact technical support.
			ADC startup test failure ADC bandgap voltage invalid	Contact technical support.
			Capacitor Control wrong signal Defect hardware device	Contact technical support.
EH	Temperature sensor stuck for cooking zone	Corresponding cooking zone is turned OFF	Not enough temperature change after switch on the hob	Cool down the glass
			No temperature change (min. 10 K / 5 min) after cooking zone is energized	Contact technical support.
ER03	Continuous key activation detected	Cooktop switches off after 10 sec.	Water or cookware placed on TC's SmartKiis	Remove water or cookware from the glass
ER20	Internal error inside TC	Cooktop switches off	-	Contact technical support.

ER21	Over temperature	Cooktop switches off	Temperature sensor on TC has detected a temperature > 85° C	Let the cooktop cool down (error disappears if temperature is <75°C). Contact technical support.
ER22	Internal error inside TC	Cooktop switches off after 3.5-7.5 sec.	-	Contact technical support.
ER31	Configurations inside Touch Control and induction are incongruent	ER31 is displayed continuously	The configuration data inside the induction generator is different from the configuration inside the TC	Download configuration. If error is still occurring, replace TC. If error is still occurring, contact technical support..
ER36	Internal error inside TC	Cooktop switches off	-	Replace TC
ER42	Secondary power supply implausible	12V or 5V too high / too low		
ER47	No communication to at least one LIN subscriber	ER47 is displayed continuously	LIN cable damaged No power voltage supply for LIN subscriber LIN subscriber defective	Contact technical support.

INFORMAZIONI GENERALI

Leggere attentamente il presente manuale d'uso e manutenzione, dove vengono fornite importanti informazioni sulla sicurezza d'uso e manutenzione. Conservare questo manuale per riferimenti futuri.

AVVERTENZA DI SICUREZZA

- Il piano cottura deve essere utilizzato sempre nei limiti del normale uso domestico per preparare e tenere in caldo le pietanze. Qualsiasi altro impiego non è ammesso.

- Questo apparecchio non è destinato all'uso da parte di persone (bambini compresi) che per le loro capacità fisiche, sensoriali o psichiche o per la loro inesperienza o non conoscenza non siano in grado di utilizzare in sicurezza il piano di cottura, non devono farne uso senza la sorveglianza e la guida di una persona responsabile.

- I bambini devono essere sorvegliati per assicurarsi che non giochino con l'apparecchio.

- I bambini al di sopra degli 8 anni possono eventualmente utilizzare l'apparecchio da soli, se sono in grado di usarlo correttamente. È importante che sappiano riconoscere i pericoli che possono derivare da un uso non

corretto.

- I bambini al di sopra degli 8 anni possono eventualmente utilizzare l'apparecchio da soli, se sono in grado di usarlo correttamente. È importante che sappiano riconoscere i pericoli che possono derivare da un uso non corretto.

- Non permettere ai bambini di giocare con l'apparecchio.

- I bambini non devono effettuare operazioni di pulizia o manutenzione del piano di cottura a meno che non siano sotto la supervisione di un adulto.

- Lavori di installazione e manutenzione, nonché riparazioni, devono essere eseguiti da personale specializzato.

Lavori o riparazioni non correttamente eseguiti possono creare seri pericoli per l'utente.

• PERICOLO DI SCOSSA

ELETTRICA! Non mettere in funzione o spegnere subito il piano cottura se la lastra in vetroceramica è danneggiata o crepata. Staccare l'apparecchio dalla rete elettrica.

- **ATTENZIONE:** Se la superficie di piani cottura in vetro-ceramica o materiali simili che proteggono parti in tensione è danneggiata o crepata, spegnere l'apparecchio per evitare la possibilità di scosse elettriche,

- **ATTENZIONE:** L'apparecchio e

le sue parti accessibili diventano caldi durante l'uso. Si deve prestare attenzione per evitare di toccare gli elementi riscaldanti.

• **ATTENZIONE:** La cottura con olio o grasso può essere pericolosa e può provocare incendi. Non utilizzare MAI acqua per cercare di spegnere il fuoco. Soffocare le fiamme ad es. con un coperchio, un panno da cucina umido o simili.

• **ATTENZIONE:** Il piano cottura è molto caldo quando è in funzione e rimane caldo anche per un certo tempo dopo averlo spento. Il rischio di ustione non sussiste più solo quando si spengono le spie del calore residuo.

• **ATTENZIONE:** Il normale processo di cottura deve essere sorvegliato. Un processo di cottura di breve durata deve essere sorvegliato continuamente. Pentole dalle quali evaporano completamente i liquidi possono provocare danni al piano in vetroceramica. Grasso o olio surriscaldati possono iniziare a bruciare e provocare un incendio.

• **ATTENZIONE:** Utilizzare solo le protezioni del piano progettate dal costruttore dell'apparecchio di cottura o indicate dal produttore dell'apparecchio nelle istruzioni per l'uso come idonee o protezioni del piano integrate nell'apparecchio. L'uso di pro-

tezioni inadeguate può causare incidenti.

• PERICOLO DI INCENDIO!

Non conservare oggetti sulle superfici di cottura! Oggetti metallici quali coltelli, forchette, cucchiaini e coperchi non devono essere posti sulla superficie del piano di cottura in quanto possono surriscaldarsi.

• Spegnere sempre le zone di cottura dopo l'uso!

• L'apparecchio non è destinato ad essere utilizzato per mezzo di un timer esterno o un sistema di comando a distanza separato.

Questo non è applicabile in caso di spegnimento del funzionamento tramite i dispositivi coperti dalla EN 50615.

• Il pulitore a valore non può essere usato.

• Il marchio di fabbrica e il tipo di modello si trovano nella parte inferiore del dispositivo, questi devono essere visibili con l'apertura delle ante o dei cassetti.

ISTRUZIONI

D'INSTALLAZIONE

Le presenti istruzioni di installazione sono destinate ad un installatore specializzato e sono intese come linee guida per l'installazione, la regolazione e la manutenzione del piano cottura, nel rispetto delle normative e degli standard in vigore. Se un forno da incasso o qualsiasi altro apparecchio che genera calore deve essere montato direttamente sotto il piano in vetroceramica, **E' NECESSARIO CHE UN APPARECCHIO (il forno) E IL PIANO DI VITROCERAMICA SIANO ADEGUATAMENTE ISOLATI.** La mancata oss-

ervanza di questa precauzione potrebbe comportare il funzionamento errato del sistema TOUCH CONTROL.

• **Posizionamento:**

Questo elettrodomestico è stato progettato per l'installazione ad incasso su piano di lavoro, come mostrato in figura (Fig. 1- Dimensioni taglio). Utilizzare materiale sigillante lungo tutto il perimetro (Fig.2). Questa operazione è necessaria per evitare che eventuali liquidi entrino all'interno del piano, poiché non è possibile garantire la planarità del piano, del vetro e del loro accoppiamento. Spingete delicatamente l'apparecchio nel foro da incasso (Fig.4). Se, dopo l'installazione, la parte inferiore dell'apparecchio è accessibile dalla parte inferiore del mobile, sarà necessario montare un pannello distanziatore alle distanze indicate (Fig.3).

• **Collegamenti elettrici (Fig.8):**

L'installazione di questo apparecchio e l'allacciamento alla rete elettrica devono essere affidati solo ad un elettricista, il quale deve essere perfettamente a conoscenza delle normative, e che le rispetti scrupolosamente.

- La protezione contro le parti in tensione deve essere assicurata dopo l'incasso.
- I dati di collegamento necessari sono riportati sugli adesivi posti sulla vasca del piano in prossimità della scatola di connessione.
- Il collegamento alla rete deve essere effettuato mediante spina con messa a terra o tramite un dispositivo di interruzione omnipolare con apertura dei contatti di almeno 3 mm.
- Il circuito elettrico deve essere separato dalla rete mediante dispositivi adeguati, ad esempio: interruttori automatici, fusibili o contattori.
- Se l'apparecchio non è dotato di spina accessibile, è necessario prevedere mezzi di disconnessione nell'installazione fissa, secondo le norme di installazione.
- Il cavo di alimentazione deve essere posizionato in modo che non tocchi nessuna delle parti calde del piano cottura.

Attenzione!

Questi modelli possono essere collegati solo alle seguenti reti:

- Mod. 1PIDC120N: 220-240V~50/60 Hz
380-415 V 2N ~ 50/60 Hz
- Mod. 1PIDC90N: 220-240V~50/60 Hz
380-415 V 2N ~ 50/60 Hz
- Mod. 1PIDC80N: 220-240V~50/60 Hz
380-415 V 2N ~ 50/60 Hz

-Mod. 1PIDC60N: 220-240V~50/60 Hz
380-415 V 2N ~ 50/60 Hz

-Mod. 1PIDC30N: 220-240V~50/60 Hz

Collegare sempre il filo di terra.

Rispettare lo schema di collegamento.

La scatola dei collegamenti si trova sotto sul retro del rivestimento del piano cottura. Per aprire il coperchio utilizzare un cacciavite medio. Posizionalo nelle fessure e aprì il coperchio.

Attenzione!

Fare attenzione che i cavi siano correttamente agganciati e serrati.

Non possiamo essere ritenuti responsabili per qualsiasi incidente derivante da un collegamento errato o che potrebbe derivare dall'uso di un apparecchio che non è stato messo a terra o è stato dotato di un collegamento a terra difettoso.

Apparecchio conforme alla norma IEC 61000-3-12

USO E MANUTENZIONE

• **Manutenzione (Fig.9):**

Rimuovere eventuali residui di cibo e gocce di grasso dal piano di cottura, utilizzando l'apposito raschietto fornito a richiesta.

Pulire la zona riscaldata nel miglior modo possibile, utilizzando prodotti idonei e un tovagliolo di carta, quindi risciacquare con acqua e asciugare con un panno pulito.

Attraverso l'utilizzo dell'apposito raschietto (optional), rimuovere prontamente dalla superficie riscaldata eventuali pezzi di foglio di alluminio e materiale plastico, che potrebbero essersi accidentalmente sciolti, o residui di zucchero o cibo, e / o resti di cibi zuccherini. In questo modo si previene ogni possibile danneggiamento della superficie.

Non è consentito in nessun caso l'uso di spugne abrasive o detersivi chimici irritanti, come spray per forni o detersivi.

• **Uso:**

Utilizzare il sistema di controllo touch nella posizione corrispondente in base alle esigenze di cottura individuali. Tieni presente che più alto è il numero, più calore viene prodotto.

Il comando offre una comoda gestione in quanto le selezioni vengono effettuate toccando direttamente sul display:

- la selezione attiva viene visualizzata ad alta intensità;
- le selezioni disponibili vengono visualizzate

• Funzioni (Fig. 5):

- A** - Accensione/Spengimento
- B** - Blocco comandi
- C** - Pausa & Richiamo
- D** - Funzione per tenere calda la pentola
- E** - Funzione Chef
- F** - Regolazione timer (+ / -)
- G** - Timer delle zone cottura
- H** - Slider livello di potenza
- I** - Booster
- L** - Display delle zone cottura

• Accensione / spegnimento del piano cottura:


Toccare il tasto A per accendere il piano cottura, e il led si accenderà. I livelli di potenza per tutte le zone di cottura sono “•” (i display delle zone di cottura sono spenti).

Il piano cottura si spegne automaticamente dopo 20 sec. se tutti i livelli di cottura sono impostati a 0 e non viene eseguita nessuna operazione.

Per accendere l'apparecchio è sufficiente toccare il tasto A. Per motivi di sicurezza è sempre possibile spegnere il piano tramite lo stesso tasto ON / OFF (A).

• Rilevamento della pentola:

Questo piano cottura è dotato di un sistema di controllo interattivo che lo rende molto facile e comodo da usare. Dopo aver acceso il piano cottura, quando si mette una pentola sulla superficie in vetroceramica, il sistema di controllo la rileva automaticamente e sul display della relativa zona di cottura compare 0. Non resta che impostare il livello di cottura previsto.

Se rimuovi la pentola da quella zona cottura, il display mostrerà questo simbolo: .

• Accensione / Spegnimento della zona cottura:

Posizionare una pentola sulla zona cottura desiderata e premere il dito sulla zona dei tasti L. Utilizzare lo slider (area H) per modificare il livello di potenza della zona [passare alla posizione 9 (potenza massima) o per passare alla posizione 1 (potenza minima)]. La potenza della singola zona di cottura è regolabile in 9 diverse posizioni e ver-

rà visualizzata sul relativo display luminoso con un numero da “1 a 9”.

Per spegnere quella zona cottura è necessario premere 0 nell'area H, e automaticamente il display della zona (L) mostrerà 0.

• Booster:

Il booster consente all'induzione di dissipare una potenza maggiore per una zona di cottura per un breve periodo di tempo (max. 5 min).

Poiché la funzione booster può raggiungere temperature elevate, deve essere utilizzata solo per processi di cottura che utilizzano acqua. L'olio o il grasso possono iniziare a bruciare se si utilizza il booster.

Scegliere la zona cottura desiderata L, quindi digita il simbolo P sulla zona H. In questo modo si attiva il booster per la zona cottura selezionata, ora il relativo display visualizzerà P.

Per rimuovere la funzione booster in una determinata zona, selezionare un livello di cottura diverso (da 1 a 9). La funzione booster viene terminata e la zona di cottura viene riscaldata con il nuovo livello di cottura selezionato.

• Indicazione di calore residuo:

Se la temperatura della zona di cottura è ancora alta (oltre 60°) dopo che è stata spenta, il relativo display indicherà il simbolo H (calore residuo). Il simbolo si spegnerà solo quando il rischio di ustione non sarà più presente.

• Timer:

Esistono 2 diversi tipi di timer. Se è impostato più di un timer, il timer visualizzerà sempre il tempo rimanente più basso. Entrambi i timer possono essere regolati in un intervallo da 1 min a 9 h 59 min.

• Timer autonomo / Timer delle zone cottura:

Il **timer autonomo** ha il comportamento di un egg timer da cucina. Per attivare questa funzione bisogna assicurarsi che non sia stata selezionata nessuna zona cottura, il timer visualizza “-”, toccare il timer, il cui display 00 lampeggia per i successivi 10 sec. Regolare la cifra dell'ora di

inizio desiderata per la cifra +/-, non eseguire alcuna azione per circa 5 sec. Il timer inizia il conto alla rovescia. Al di sotto dei 10 minuti, il display mostra l'ora corrente precisa al secondo. Se ha raggiunto lo 0, viene emesso un segnale acustico. Per modificare il valore del timer stand-alone, l'utente deve assicurarsi che non sia stata selezionata nessuna zona di cottura, quindi toccare il tasto timer, impostare il nuovo tempo desiderato e infine, dopo 5 sec, il timer inizia a contare all'indietro partendo dal nuovo tempo. Per disabilitare questa funzione assicurarsi prima di tutto che non sia stata selezionata nessuna zona di cottura, quindi toccare il tasto timer, viene visualizzato il valore dell'ora corrente lampeggiante, impostare Stand-alone time a "000", a questo punto la funzione è disattivata.

I **timer delle zone di cottura** possono essere utilizzati per spegnere automaticamente una zona di cottura allo scadere del tempo impostato. Per attivare questa funzione, l'utente può selezionare la zona di cottura corrispondente, toccare il tasto relativo Timer G, quindi regolare l'ora di inizio desiderata (+/-), se non si esegue alcuna azione per circa 5 sec, il timer inizia il conto alla rovescia. Per modificare il valore dei timer delle zone di cottura, selezionare la zona di cottura corrispondente, toccare l'ora, e impostare il nuovo tempo desiderato (+/-), non eseguire nessuna azione per 5 sec., Il timer inizia il conto alla rovescia partendo da il nuovo tempo. Per disabilitare questo timer, l'utente deve impostare l'ora della zona di cottura su "000".

- **Pausa:**

La funzione Pausa è una funzione per "congelare" il piano cottura per max. 10 minuti. Ad esempio, se l'utente lascia il piano cottura per un breve periodo di tempo. Quando la funzione della Pausa è attiva, nessuna zona di cottura dissipa calore, e tutti i timer, compreso il timer autonomo, sono sospesi. Inoltre, il Booster e il riscaldamento automatico vengono interrotti. Per attivare questa funzione premere C, tutti i display (zona L) mostrano //. Per disattivarlo premere C e un altro tasto arbitrario entro 10 sec.

- **Funzione di richiamo:**

Questa funzione consente di ripristinare i livelli di potenza e le impostazioni del timer dopo che

il piano cottura è stato spento inavvertitamente. Ad esempio, se il piano cottura è stato appena spento, l'utente può accendere nuovamente il piano cottura tramite il tasto ON / OFF (tasto A) entro 6 sec. Successivamente il simbolo Pausa lampeggerà per 6 sec., Ora l'utente dovrà toccare il simbolo Pausa (tasto C), a questo punto la funzione Richiamo diventa attiva. Vengono ripristinati tutti i livelli di potenza, e i timer impostati in precedenza.

- **Blocco comandi:**


Il blocco dei tasti è una funzionalità destinata a bloccare i tasti quando il piano cottura è in funzione o in stato di pausa. Ciò è utile per la pulizia poiché il controllo tattile non è in grado di distinguere un panno bagnato da un dito. Quando il piano cottura è acceso, l'utente può toccare il blocco tasti (tasto B) per 1 sec. e tutti i tasti tranne il blocco tasti e ON / OFF vengono bloccati. Quando il blocco tasti è attivo, premendo tutti i tasti spenti (tutti tranne ON / OFF e Blocco tasti) verrà emesso un tono di rifiuto. Per disattivare questa funzione, toccare nuovamente il Blocco tasti, a questo punto il piano cottura può essere azionato regolarmente.

- **Blocco comandi Bambini:**


Questa funzione è utile per proteggere il piano cottura da manovre involontarie, ad esempio da parte dei bambini. Se bloccato con questo blocco bambini, il piano cottura può essere acceso, ma non è possibile selezionare alcuna zona di cottura, livello di riscaldamento o timer. Per attivare questa funzione, l'utente deve accendere il piano cottura, toccare e tenere premuta una zona L (per una zona di cottura arbitraria) per 3 secondi, far scorrere con un dito la zona H, da 0 a 9. Questa sequenza di operazioni deve essere completata entro 10 sec. Il display mostra "L" per il blocco bambini attivo. Per disabilitare la funzione: accendere il piano, toccare e tenere premuta la zona L per 3 sec., Quindi far scorrere con un dito la zona H da 9 a 0 entro 10 sec. In questo modo il blocco bambini è disattivato.

- **Funzione di "Bridge" (solo per Octa)**

La funzione 'Bridge' è il collegamento di 2 zone di cottura singole, per cui possono essere controllate e si comporteranno come un'unica grande

zona di cottura. Ciò consente di utilizzare pentole che hanno una superficie più ampia rispetto ad una singola zona cottura. Per attivare questa funzione, l'utente deve toccare contemporaneamente entrambe le zone cottura (zona L), in questo modo le zone cottura sono collegate, e un display visualizzerà , e l'altro display il livello di potenza. Per disabilitare il bridge, l'utente deve toccare contemporaneamente entrambe le zone cottura (zona L). In questo modo l'area cottura verrà nuovamente suddivisa in 2 zone separate.

• Riscaldamento automatico:

Il riscaldamento automatico è una funzione che consente di riscaldare una pentola fredda con piena potenza di riscaldamento e tornare automaticamente al livello di cottura desiderato. Il tempo durante il quale la zona cottura viene riscaldata a piena potenza dipende dal livello di cottura selezionato. Per attivare il Riscaldamento automatico è necessario premere per almeno 3 sec. il livello di cottura desiderato (zona H), il display mostrerà questo simbolo: . Per disabilitare questa funzione premere il comando della zona di cottura (zona L) per 3 sec. o selezionare un altro livello di cottura.

Livelli di potenza	Riscaldamento automatico (sec.)
1	48
2	144
3	230
4	312
5	408
6	120
7	168
8	216
9	non disponibile
P	non disponibile


• Funzione dello Chef Cook:

La funzione Chef Cook è una funzionalità che abilita 3 zone cottura con diverse potenze di riscaldamento. Partendo da sinistra a destra. Per attivare questa funzione, premere il tasto funzione Chef Cook (E). Per disabilitarlo toccare lo stesso tasto, funzione Chef Cook.

Non appena viene selezionata questa funzionalità, vengono impostati e dissipati i seguenti livelli di potenza:

Numero zone cottura	Livelli di potenza
2	2
1	6
4	9

• Funzione per tenere calda la pentola:

Questa funzione viene utilizzata per mantenere caldo il cibo bollito. Il livello di potenza è compreso tra 0 e 1. Per attivare il livello di riscaldamento è necessario selezionare la zona (zona L) e premere il tasto D. Il display mostrerà questo simbolo: .

• Gestione energetica:

Il piano cottura supporta la gestione dell'alimentazione, per evitare il sovraccarico del collegamento alla rete. La gestione di potenza è prioritaria, per cui se l'utente aumenta la potenza di riscaldamento di una zona, è possibile che un'altra zona cottura subirà una riduzione di potenza automaticamente. La riduzione di potenza verrà segnalata all'utente mediante il lampeggio di OFF del livello di cottura (zona L).

• Impostazioni di potenza:

La potenza del piano può essere impostata dal suo massimo (7.4 kW / 6.7 kW / 3.7 kW) fino ad un minimo di 1.4 kW, utilizzando uno step di 100w (0,1 kW), dal menù utente.

Per entrare nel menù utente, il comando deve essere in modalità stand-by, toccare ON/OFF (tasto A) per accendere il Touch Control. Quindi premere nuovamente il comando ON/OFF (tasto A) entro 3 sec. A questo punto apparirà il led della funzione "speciale" (B) del tasto. Il comando (B) sarà attivo per 60 sec. massimo, dopodiché si uscirà automaticamente dal menù. Premendo, entro questi 60 secondi, e mantenendo premuto il tasto B, compaiono i led delle zone di cottura (zona L); a questo punto l'utente deve premere le zone di cottura (zona L) in senso orario; ora nell'area L comparirà "U" e un numero (che identifica il tipo di

IT menù), per gestire la potenza bisogna scegliere "0". Ora l'utente può premere dove viene mostrata la potenza, e con lo slider (area H) è possibile gestire la potenza.

Per confermarlo è sufficiente premere il tasto OFF (A).

Nella seguente tabella sono descritte le voci di menù utente implementate:

Articolo	Descrizione	Variabile	Formato Valore	Note
U0	Max. potenza per conduttore di linea	Si	2.4 ... 5	Impostazione del max. potenza consentita per conduttore di linea. Il max. la potenza è definita all'interno del menu di servizio e può essere ridotta solo a passi di 0,1 kW fino alla potenza minima.
U1	Impostazione del filtro	Si	0,1,2	Filtro modifiche: 0 - 150 h (predefinito) 1 - 300 ore 2 - 400 ore
U2	Volume per i toni dei pulsanti	Si	0...3	Regolazione del volume per i toni dei pulsanti 0: nessun tono dei pulsanti 1 min. volume 2: metà. volume 3: max. volume Appunti: <ul style="list-style-type: none"> Per motivi normativi, i toni dei pulsanti per l'accensione e lo spegnimento non possono essere disabilitati. Verranno emessi con l'ultimo livello di volume impostato prima di disabilitare i toni dei pulsanti. I toni di errore vengono sempre emessi con max. volume (impostazione 3) e non possono essere disabilitati.
U3	Volume per i segnali acustici	Si	0...3	Regolazione del volume per i segnali acustici (es: allo scadere del tempo) 0: min. volume ... 3: max. volume
U4	Luminosità del display	Si	0...9	Regolazione della luminosità del display 0: max. luminosità ... 9: min. luminosità
U5	Timer	Si	0...1	0: nessuna animazione del timer 1: il timer è animato 10 min. prima della scadenza
U7	Comportamento allo scadere del tempo	Si	0...2	0: segnale acustico per 120 sec. 1: segnale acustico per 10 sec. 2: Nessun tono

- **Limitazione del tempo di funzionamento:**

La limitazione del tempo di funzionamento è una funzione di sicurezza aggiuntiva per spegnere la zona cottura dopo un certo periodo di tempo, senza che l'utente abbia fatto alcuna operazione sulla zona. Il tempo dopo il quale la zona cottura viene spenta è indicato nella tabella sottostante. Ogni operazione dell'utente relativa alla zona cottura azzerava questo limite di tempo.

Livello di cottura	Max. Tempo di funzionamento (h)
Livello di riscaldamento 1	2
1	6
2	6
3	5
4	5
5	4
6	1.5
7	1.5
8	1.5
9	1.5
P	5 min.

CONSIGLI PER RISPARIARE ENERGIA

- Utilizzare un coperchio quando possibile, per ridurre al minimo la perdita di calore.
- Utilizzare una padella piccola quando si cuociono piccole quantità. Una padella piccola utilizza meno energia di una padella più grande con poco cibo al suo interno.
- Cuocere con meno acqua possibile.
- Quando il cibo è giunto a ebollizione o quando l'olio nella padella è abbastanza caldo per la frittura, ridurre la fiamma a un livello più basso.
- Utilizzare una pentola a pressione per ridurre i tempi di cottura.

SMALTIMENTO DI VECCHI APPARECCHI ELETTRICI



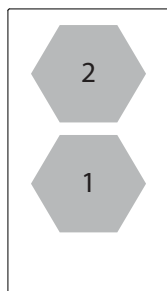
La Direttiva Europea 2002/96 / EC sui Rifiuti di Apparecchiature Elettriche ed Elettroniche (RAEE), richiede che i vecchi elettrodomestici non debbano essere smaltiti insieme ai normali rifiuti urbani indifferenziati. I vecchi apparecchi devono essere raccolti separatamente al fine di ottimizzare il recupero e il riciclaggio dei materiali in essi contenuti e ridurre l'impatto sulla salute umana e sull'ambiente. Il simbolo del bidone della spazzatura barrato sul prodotto ricorda il tuo obbligo di raccolta differenziata. I consumatori devono contattare il servizio pubblico locale o il rivenditore locale per ulteriori informazioni sul corretto smaltimento degli elettrodomestici esauriti.

IL PRODUTTORE DECLINA QUALSIASI RESPONSABILITÀ PER EVENTUALI DANNI CAUSATI DALLA VIOLAZIONE DI QUESTE AVVERTENZE. LA GARANZIA NON È VALIDA IN CASO DI DANNI CAUSATI DAL MANCATO RISPETTO DELLE SUDETTE AVVERTENZE.

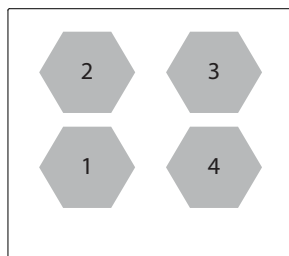
Informazioni sui piani di cottura elettrici a uso domestico

ai sensi del regolamento (UE) n. 66/2014

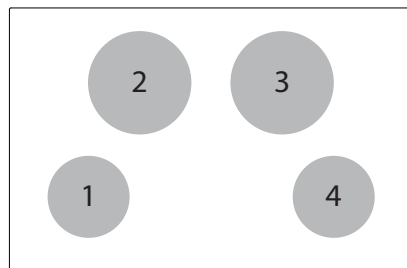
Identificativo del modello	1PIDC30N	1PIDC60N	1PIDC80N	1PIDC90N	1PIDC120N
Tipologia di piano cottura	built-in	built-in	built-in	built-in	built-in
Numero di zone e/o aree di cottura	2	4	4	3	4
Tecnologia di riscaldamento Zone di cottura e aree di cottura a induzione, zone di cottura radianti	1. = Induction 2. = Induction	1. = Induction 2. = Induction 3. = Induction 4. = Induction	1. = Induction 2. = Induction 3. = Induction 4. = Induction	1. = Induction 2. = Induction 3. = Induction	1. = Induction 2. = Induction 3. = Induction 4. = Induction
Per le zone di cottura elettriche circolari: diametro della superficie utile. Per zone o aree di cottura non circolari: lunghezza/ larghezza della superficie/zona di cottura utile. mm	1. = Octa 2. = Octa	1. = Octa 2. = Octa 3. = Octa 4. = Octa	1. = Ø 160 2. = Ø 200 3. = Ø 200 4. = Ø 160	1. = Octa 2. = Octa 3. = Ø 200	1. = Octa 2. = Octa 3. = Octa 4. = Octa
Consumo energetico per zona o area di cottura calcolato al kg (EC _{electric cooking}) Wh/Kg	1. = 189,7 2. = 189,7	1. = 189,7 2. = 189,7 3. = 189,7 4. = 189,7	1. = 179 2. = 193,3 3. = 193,3 4. = 179	1. = 189,7 2. = 189,7 3. = 193,3	1. = 189,7 2. = 189,7 3. = 189,7 4. = 189,7
Consumo energetico del piano cottura calcolato per kg (EC _{electric cooking}) Wh/Kg	189,7	189,7	186,1	190,9	189,7



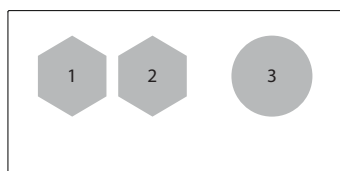
1PIDC30N



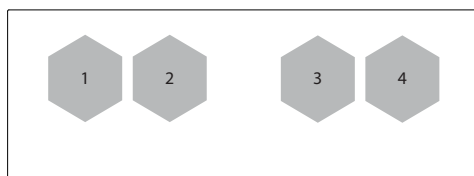
1PIDC60N



1PIDC80N



1PIDC90N



1PIDC120N

• **Codici di errore:**

Codice di errore	Descrizione	Comportamento	Possibili cause	Rimedi
E2	Surriscaldamento del sensore di temperatura per la zona di cottura	La zona cottura corrispondente è spenta	Pentola vuota	Non riscaldare pentola vuota
			Pentola non adatta	Usare pentola appropriata
			La temperatura della pentola o del vetro è troppo alta. Temperatura elettronica troppo alta	Raffreddare il sistema
E3	Pentola non adatta	Le zone di cottura corrispondenti sono spente	Le pentole stanno perdendo le loro caratteristiche magnetiche	Usare pentola appropriata
			Errore interno nel circuito del generatore	Contattare il supporto tecnico
			La pentola crea sul modulo un punto di funzionamento improprio che può distruggere i dispositivi, ad esempio IGBT.	<ol style="list-style-type: none"> 1. L'errore viene cancellato automaticamente dopo 8s e la zona di cottura può essere riutilizzata. in caso di ulteriori errori imminenti le pentole devono essere cambiate. 2. Contattare il supporto tecnico
E4	Errore di configurazione	Non è possibile accendere la zona di cottura	Il modulo di induzione non è ancora configurato	Contattare il supporto tecnico.
			Errore nei dati di configurazione del modulo di induzione	Cancella e riconfigura la zona di cottura. Contattare il supporto tecnico.
E5	Nessuna comunicazione tra l'interfaccia utente e il generatore di induzione	Non è possibile accendere la zona di cottura	Cablaggio LIN o cablaggio di alimentazione difettoso (ad es. Conduttore di linea mancante)	Contattare il supporto tecnico.
			Nessuna tensione di rete sul secondo generatore	Contattare il supporto tecnico.
			Errore interno nel circuito del generatore o del filtro	Contattare il supporto tecnico.
			(Versione mista) Errore di tensione del relè HiLight - Dispositivo hardware difettoso	Contattare il supporto tecnico.
			Dati di configurazione dell'errore	Contattare il supporto tecnico.

E6	La tensione di alimentazione è fuori range (tensione e / o frequenza)	Non è possibile accendere la zona di cottura	La tensione di alimentazione è fuori range (vedere i dati tecnici per i dettagli)	Contattare il supporto tecnico.
			Errata frequenza di rete del segnale di fase della tensione di rete problemi	Contattare il supporto tecnico.
			Errore interno nel circuito del generatore	Contattare il supporto tecnico.
E7	Errore interno	Le zone di cottura sono spente	-	Contattare il supporto tecnico.
E8	Guasto della ventola	La zona di cottura corrispondente è spenta	Ventilatore bloccato da polvere o tessuti	Pulisci e rimuovi i corpi estranei
			Ventola o elettronica del modulo difettosa	Contattare il supporto tecnico.
E9	Errore del sensore di temperatura per la zona di cottura	La zona di cottura corrispondente è spenta	La linea del sensore di temperatura per la zona di cottura è aperta o in cortocircuito	Contattare il supporto tecnico.
EA	Errore interno	Le zone di cottura sono spente	-	Contattare il supporto tecnico.
			Flash checksum error	Contattare il supporto tecnico.
			IGBT- Corrente al minimo troppo alta	Contattare il supporto tecnico.
			Sensore del dissipatore di calore rotto o in corto	Contattare il supporto tecnico.
			EEPROM- errore dati	Contattare il supporto tecnico.
			Errore di selezione della bobina Induttore difettoso o induttore sbagliato	1. Ricollegare 2. Contattare il supporto tecnico.
			MCU impostazione del registro interno	Contattare il supporto tecnico.
			Tensione di alimentazione del gate fuori intervallo	Contattare il supporto tecnico.
			Errore del test di avvio dell'ADC Tensione bandgap ADC non valida	Contattare il supporto tecnico.
			Segnale di controllo del condensatore errato Dispositivo hardware difettoso	Contattare il supporto tecnico.

EH	Sensore di temperatura bloccato per la zona di cottura	La zona di cottura corrispondente è spenta	Cambiamento di temperatura insufficiente dopo l'accensione del piano cottura	Raffreddare la superficie vetroceramica
			Nessun cambiamento di temperatura (min. 10 K / 5 min)	Contattare il supporto tecnico.
ER03	Rilevata attivazione continua della chiave	Il piano di cottura si spegne dopo 10 sec.	Acqua o pentole posizionate sulla zona comandi	Rimuovere l'acqua o la pentola dal vetro
ER20	Errore interno all'interno del TC	Il piano cottura si spegne	-	Contattare il supporto tecnico.
ER21	Temperatura troppo alta	Il piano cottura si spegne	Il sensore di temperatura sulla zona comandi ha rilevato una temperatura > 85 ° C	Lasciar raffreddare il piano cottura (l'errore scompare se la temperatura è <75° C). Se l'errore persiste-contattare il supporto tecnico.
ER22	Errore interno del comando	Il piano di cottura si spegne dopo 3,5-7,5 sec.	-	Contattare il supporto tecnico.
ER31	Le configurazioni all'interno del comando e dell'induzione sono incongruenti	ER31 viene visualizzato continuamente	I dati di configurazione all'interno del generatore a induzione sono diversi dalla configurazione all'interno del comando	Scarica la configurazione. Se l'errore persiste, sostituire il comando, e contattare il supporto tecnico.
ER36	Errore interno all'interno del comando	Il piano cottura si spegne	-	Sostituisci il comando, e contattare il supporto tecnico.
ER42	Alimentazione secondaria non plausibile	12V o 5V troppo alto / troppo basso		
ER47	Nessuna comunicazione con almeno un abbonato LIN	ER47 viene visualizzato continuamente	Cavo LIN danneggiato. Nessuna alimentazione di tensione per l'abbonato LIN. Sottoscrittore LIN difettoso	Contattare il supporto tecnico.

ALLGEMEINE INFORMTIONEN

Lesen Sie den Inhalt dieses Handbuchs, da sie wichtige Informationen zur sicheren Installation, Einsatz und Wartung zur Verfügung stellt. Halten Sie Anweisungen zum späteren Nachschlagen. Alle damit verbundenen Aufgaben (elektrische Verbindungen) muss durch geschultes Personal in Übereinstimmung mit den Vorschriften durchgeführt werden.

SICHERHEITSHINWEISE

Verwenden Sie das Kochfeld nur in haushaltsüblichen Situationen zum Zubereiten und Erwärmen von Speisen. Alle anderen Nutzungsarten sind nicht gestattet.

- Dieses Gerät ist nicht für die Verwendung durch Personen (einschließlich Kinder) mit eingeschränkten körperlichen, sensorischen oder geistigen Fähigkeiten oder Mangel an Erfahrung und Wissen bestimmt, es sei denn, sie werden von einer für ihre Sicherheit verantwortlichen Person beaufsichtigt oder in die Verwendung des Geräts eingewiesen.
- Kinder unter 8 Jahren

müssen vom Kochfeld ferngehalten werden, es sei denn, sie stehen unter ständiger Aufsicht. Kinder sollten beaufsichtigt werden, um sicherzustellen, dass sie nicht mit dem Gerät spielen.

- Dieses Gerät kann von Kindern ab 8 Jahren und Personen mit eingeschränkten körperlichen, sensorischen oder geistigen Fähigkeiten oder Mangel an Erfahrung und Wissen verwendet werden, wenn sie beaufsichtigt oder bezüglich der sicheren Verwendung des Geräts unterwiesen wurden und die Gefahren verstehen beteiligt
- Kinder dürfen nicht mit dem Gerät spielen.
- Reinigung und Benutzerwartung dürfen nicht von Kindern ohne Aufsicht durchgeführt werden.
- Installations-, Reparatur- und Wartungsarbeiten dürfen nur von einem autorisierten **S e r v i c e t e c h n i k e r** durchgeführt werden. Arbeiten von nicht qualifizierten Personen können für den Benutzer gefährlich sein.
- **RISIKO EINES ELEKTRISCHEN SCHLAGES!** Wenn das Kochfeld defekt oder

abgesplittert, rissig oder in irgendeiner Weise zerbrochen ist, schalten Sie es sofort aus und verwenden Sie es nicht weiter. Trennen Sie es von der Stromversorgung.

- **WARNUNG:** Wenn die Oberfläche Risse aufweist, schalten Sie das Gerät aus, um die Möglichkeit eines Stromschlags zu vermeiden, da es sich um heiße Oberflächen aus Glaskeramik oder ähnlichen Materialien handelt, die stromführende Teile schützen.
- **WARNUNG:** Das Gerät und seine zugänglichen Teile werden während des Gebrauchs heiß. Achten Sie darauf, die Heizelemente nicht zu berühren.
- **W A R N U N G :** Unbeaufsichtigtes Kochen auf einem Kochfeld mit Fett oder Öl kann gefährlich sein und zu einem Brand führen. Versuchen Sie NIEMALS, ein Feuer mit Wasser zu löschen, sondern schalten Sie das Gerät aus und decken Sie dann die Flamme ab, z. mit Deckel oder Löschdecke.
- **WARNUNG:** Das Kochfeld ist während des Gebrauchs heiß und bleibt es auch noch einige Zeit nach dem Ausschalten.

Die Verbrennungsgefahr bleibt bestehen, bis die Restwärme anzeigt, dass die Flamme erloschen sind.

- **WARNUNG:** Verwenden Sie nur Kochfeldschutze, die vom Hersteller des Kochgeräts entworfen oder vom Hersteller des Geräts in der Gebrauchsanweisung als geeignet angegeben sind, oder in das Gerät eingebaute Kochfeldschutze. Die Verwendung ungeeigneter Schutzvorrichtungen kann zu Unfällen führen.
- **ACHTUNG:** Der Kochvorgang muss überwacht werden. Ein kurzzeitiger Kochvorgang muss ständig überwacht werden.
- **BRANDGEFAHR:** Keine Gegenstände auf den Kochflächen lagern! Metallische Gegenstände wie Messer, Gabeln, Löffel und Deckel sollten nicht auf die Kochfeldoberfläche gelegt werden, da sie heiß werden können.
- Schalten Sie die Kochzonen nach Gebrauch immer aus! Das Gerät ist nicht dazu bestimmt, mit einer externen Zeitschaltuhr oder einem separaten Fernbedienungssystem betrieben zu werden. Dies

gilt nicht bei Abschaltung des Betriebs durch die von EN 50615 erfassten Geräte.

- Der Dampfreiniger kann nicht verwendet werden
- Das Markenzeichen und die Modellbezeichnung des Herstellers befinden sich im unteren Teil des Geräts, sichtbar nach dem Öffnen der Türen oder Schubläden.

INSTALLATIONSANWEISUNG

Diese Installationsanweisungen richten sich an einen spezialisierten Installateur und dienen als Richtlinien für die Installation, Einstellung und Wartung des Kochfelds gemäß den geltenden Vorschriften und Normen. Wenn ein eingebauter Ofen oder ein anderes Gerät, das Wärme erzeugt, direkt unter dem Glaskeramikkochfeld eingebaut wird, **MÜSSEN DAS GERÄT (DER OFEN) UND DAS GLASKERAMIKKOCHFELD AUSREICHEND ISOLIERT SEIN.** Die Nichtbeachtung dieser Vorsichtsmaßnahme kann zu einem fehlerhaften Betrieb des TOUCH CONTROL-Systems führen.

• Positionierung:

Dieses Gerät wurde für den Einbau in einer Arbeitsplatte entwickelt (Abb. 1 - Schnittmaße). Verwenden Sie Dichtungsmaterial entlang des gesamten Umfangs (Abb. 2). Dieser Vorgang ist erforderlich, um zu verhindern, dass Flüssigkeiten in das Kochfeld gelangen, da die Ebenheit der Oberfläche, des Glases und ihrer Verbindung nicht garantiert werden kann. Schieben Sie das Gerät vorsichtig in das Loch (Abb. 4). Wenn der untere Teil des Geräts nach dem Einbau vom unten aus zugänglich ist, muss eine Zwischenplatte gemäß den angegebenen Abständen montiert werden (Abb. 3).

• Elektroanschluss (Abb.8):

Der Einbau dieses Geräts und der Anschluss an das Stromnetz dürfen nur einem Elektriker durchgeführt werden, der die Vorschriften genau kennt und einhält.

- Der Schutz vor spannungsführenden Teilen

- muss nach dem Einbau gewährleistet sein.
- Die erforderlichen Verbindungsdaten sind auf den Aufklebern auf dem Kochfeld in der Nähe des Anschlusskastens angegeben.
- Der Anschluss an das Stromnetz muss über einen geerdeten Stecker oder über einen allpoligen Trennschalter mit einer Kontaktöffnung von mindestens 3 mm erfolgen.
- Der Stromkreis muss durch geeignete Geräte vom Stromnetz getrennt werden, z.B. Selbstschalter, Sicherungen oder Einschalter.
- Wenn das Gerät nicht mit einem zugänglichen Stecker ausgestattet ist, muss gemäß den Installationsregeln ein Abschaltswitcher vorgesehen werden.
- Die Speiseleitung muss so positioniert werden, dass sie keine der heißen Teile des Kochfelds berührt.

Warnung!

Diese Modelle können nur mit den folgenden Netzwerken verbunden werden:

- Mod. 1PIDC120N: 220-240V~50/60 Hz
380-415 V 2N ~ 50/60 Hz
- Mod. 1PIDC90N: 220-240V~50/60 Hz
380-415 V 2N ~ 50/60 Hz
- Mod. 1PIDC80N: 220-240V~50/60 Hz
380-415 V 2N ~ 50/60 Hz
- Mod. 1PIDC60N: 220-240V~50/60 Hz
380-415 V 2N ~ 50/60 Hz
- Mod. 1PIDC30N: 220-240V~50/60 Hz

Schließen Sie immer das Erdungskabel an. Beachten Sie den Anschlussplan.

Den Verbindungskasten befindet sich unten auf der Rückseite des Gehäuses. Verwenden Sie zum Öffnen der Abdeckung einen mittleren Schraubenzieher, indem Sie ihn in die Schlitzlöcher stecken und den Deckel heben.

Warnung!

Stellen Sie sicher, dass die Kabel richtig verlegt und befestigt sind.

Wir haften nicht bei einem Unfall aufgrund einer falschen Verbindung oder einer nicht vorhandenen oder fehlerhaften Erdung des Gerätes.

Wir haften nicht bei einem Unfall aufgrund einer falschen Verbindung oder einer nicht vorhandenen oder fehlerhaften Erdung des Gerätes.

Geräte gemäß IEC 61000-3-12

• **Wartung (Abb.9):**

Entfernen Sie mit dem auf Anfrage mitgelieferten Spezialschaber alle Speisereste und Fetttropfen auf dem Kochfeld.

Entfernen Sie Speisereste und Fetttropfen von der Kochfläche und reinigen Sie den beheizten Bereich mit geeigneten Produkten und einem Papiertuch bestmöglich. Dann mit Wasser abspülen und mit einem sauberen Tuch trocknen.

Entfernen Sie sofort versehentlich gelöstes Aluminium und Kunststoffmaterial oder Rückstände von Zucker oder Lebensmitteln mit hohem Zuckergehalt aus dem beheizten Kochbereich. Dies vermeidet mögliche Schäden an den Produktoberflächen.

Unter keinen Umständen ist die Verwendung von Schleifschwämmen oder reizenden chemischen Reinigungsmitteln wie Sprays für Öfen oder Reinigungsmittel zulässig.

• **Funktionsweise:**

Verwenden Sie das Touch-Control-System der entsprechenden Kochzone nach Ihren individuellen Kochanforderungen. Beachten Sie, dass je höher die Zahl, desto mehr Wärme erzeugt wird. Die Steuerung erlaubt eine einfache Bedienung, da die Leistungsstufe durch direktes Berühren des Displays getroffen wird

- Die aktivierte Einstellung wird mit hoher Intensität angezeigt;
- Die verfügbaren möglichen Einstellungen werden mit geringer Intensität angezeigt;
- Die nicht verfügbaren Einstellungen sind ausgeschaltet.

• **Bedienung (Abb. 5):**

A - EIN- /AUS-Taste

B - Tastensperre

C - Pause & Recall

D - Warnhaltefunktion

E - Chef-Funktion

F - Timer einstellen (+/-)

G - Kochzonen-Timer

H - Leistungsstufe einstellen

I - Booster

L - Kochzonen-Anzeiger

• **Kochfeld ein- und ausschalten:**


Betätigen Sie die Taste A, um das Kochfeld

einzuschalten. Die LED leuchtet auf. Die Leistungsstufen für alle Kochzonen befinden sich auf 0 (die Kochzonenanzeigen sind ausgeschaltet). Das Kochfeld schaltet sich nach 20 Sekunden automatisch aus, wenn alle Leistungsstufen auf 0 eingestellt sind und keine weitere Einstellung durchgeführt wird.

Um das Gerät einzuschalten, betätigen Sie einfach die Taste A. Aus Sicherheitsgründen ist es immer möglich, das Kochfeld mit der EIN / AUS-Taste auszuschalten

• **Kochtopferkennung:**

Das Kochfeld ist dank des interaktiven Steuerungssystems einfach und leicht zu bedienen. Wird nach dem Einschalten des Kochfelds ein Kochtopf auf die Glaskeramikoberfläche gestellt, wird dieser vom Steuerungssystem automatisch erkannt und das Display der entsprechenden Kochzone zeigt 0 an. Jetzt muss nur die Leistungsstufe eingestellt werden.

Wird der Kochtopf von der Kochzone genommen, zeigt das Display folgendes Symbol an: 

• **Kochzone ein- und ausschalten:**

Stellen Sie einen Kochtopf auf die gewünschte Kochzone und betätigen Sie den L-Tastenbereich. Durch den Schieberegler (Bereich H) stellen Sie die Leistungsstufe der Kochzone ein [auf 9 (max. Leistungsstufe) oder auf 1 (min. Leistungsstufe)]. Jede Kochzone hat 9 Leistungsstufen, die auf den Leuchtanzeige mit „1 bis 9“ angezeigt werden. Um diese Kochzone auszuschalten, betätigen Sie „0“ auf den H-Bereich, und auf der Zonenanzeige (L) wird automatisch 0 angezeigt.

• **Booster:**

Der Booster ermöglicht es der Induktion, für kurze Zeit (max. 5 min) mehr Leistung für eine Kochzone abzuleiten.

Da die Booster-Funktion hohe Temperaturen erreichen kann, sollte sie nur zum Kochen mit Wasser verwendet werden. Das Öl oder Fett kann brennen, wenn Sie den Booster verwenden.

Wählen Sie die gewünschte Kochzone L und betätigen Sie das Symbol P der Zone H. Dadurch wird der Booster für die ausgewählte Kochzone aktiviert. In der entsprechenden Anzeige wird nun P angezeigt.

Um die Booster-Funktion in einer bestimmten Zone zu deaktivieren, wählen Sie eine andere Leistungsstufe (von 1 bis 9). Die Booster-Funktion wird beendet und die Kochzone schaltet sich

auf die neu gewählte Kochstufe ein.

- **Restwärme:**

Wenn die Temperatur der Kochzone nach dem Ausschalten immer noch hoch ist (über 60°), zeigt das entsprechende Display das Symbol H (Restwärme) an. Die Anzeige erlischt nur, wenn keine Verbrennungsgefahr mehr besteht.

- **Timer:**

2 verschiedene Timer sind vorhanden. Wenn mehr als ein Timer eingestellt ist, zeigt der Timer immer die niedrigste verbleibende Zeit an. Beide Timer können von 1 min bis 9 h 59 min eingestellt werden.

- **Eigenständiger Timer / Kochzonen-Timer:**

Der **eigenständige Timer** funktioniert wie eine Eieruhr. Um diese Funktion zu aktivieren, vergewissern Sie sich, dass keine Kochzone eingeschaltet ist. Der Timer zeigt „-“ an. Nach Auswahl des Timer blinkt die Anzeige für 10 Sekunden auf 00. Geben Sie die gewünschte Startzeit durch Betätigung der Tasten +/-

ein und führen Sie für 5 Sekunden lang keine Befehle durch. Der Timer beginnt mit dem Countdown. Unterhalb von 10 Minuten zeigt das Display die aktuelle Zeit sekundengenau an. Wenn 0 erreicht wird, ertönt ein Piepton. Um den Wert des eigenständigen Timers zu ändern, vergewissern Sie sich, dass keine Kochzone eingeschaltet ist, dann betätigen Sie die Timer-Taste und geben Sie die gewünschte Zeit ein. Der Timer beginnt nach 5 Sekunden ab der neuen eingegebenen Zeit mit dem Countdown. Um diese Funktion zu deaktivieren, vergewissern Sie sich, dass keine Kochzone eingeschaltet ist und betätigen Sie dann die Timer-Taste. Der aktuelle Zeitwert blinkt. Stellen Sie die Timer-Zeit auf "000". Jetzt ist diese Funktion deaktiviert.

Mit dem **Kochzonen-Timer** kann eine Kochzone nach Ablauf der eingestellten Zeit automatisch ausgeschaltet werden. Um diese Funktion zu aktivieren, wählen Sie die entsprechende Kochzone. Betätigen Sie die Timer-Taste G und geben Sie die gewünschte Startzeit durch Betätigung der Tasten (+/-) ein und führen Sie für 5 Sekunden lang keinen Befehl durch. Der Timer beginnt mit dem Countdown.

Um den Wert des Kochzonen-Timers zu ändern, wählen Sie die entsprechende Kochzone aus, betätigen Sie die Timer-Taste und stellen Sie die

neue gewünschte Zeit ein (+/-). Führen Sie für 5 Sekunden lang keinen Befehl durch. Der Timer beginnt mit dem Countdown. Um diesen Timer zu deaktivieren, stellen Sie die Timer-Zeit auf "000" ein.

- **Pause:**

Die Pause-Funktion erlaubt das Kochfeld maximal 10 Minuten lang „einzufrieren“. Sie ist beispielsweise nützlich, wenn Sie das Kochfeld für kurze Zeit verlassen. Wird die Pause-Funktion eingestellt, leitet keine Kochzone Wärme ab und alle Timer, einschließlich des eigenständigen Timers, werden ausgesetzt, außerdem werden die Booster-Funktion sowie das automatische Vorheizen unterbrochen. Um diese Funktion zu aktivieren, betätigen Sie die Taste C, alle Anzeigen (Zone L) zeigen «//» an. Um sie zu deaktivieren, betätigen Sie innerhalb von 10 Sekunden die Taste C und eine andere beliebige Taste.

- **Recall:**

Mit dieser Funktion können Sie die Leistungsstufen und Timer-Einstellungen wiederherstellen, nachdem das Kochfeld versehentlich ausgeschaltet wurde.

Wenn das Kochfeld beispielsweise gerade ausgeschaltet wurde, können Sie das Kochfeld mit der ON/OFF-Taste (Taste A) innerhalb von 6 Sekunden wieder einschalten. Das Pause-Symbol blinkt dann 6 Sekunden lang. Betätigen Sie das Pause-Symbol (Taste C). Die Recall-Funktion ist aktiviert. Alle zuvor eingestellten Leistungsstufen, Timer und das automatische Vorheizen werden wiederhergestellt.

- **Tastensperre:**


Es ist möglich, die Bedienelemente während des Betriebs des Kochfelds oder im Pausenzustand zu sperren. Dies ist nützlich während der Reinigung, da die Touch-Steuerung ein nasses Tuch nicht von einem Finger unterscheiden kann. Wenn das Kochfeld eingeschaltet ist, betätigen Sie 1 Sekunde lang die Tastensperre (Taste B): alle Tasten außer der Tastensperre und ON/OFF-Taste sind gesperrt. Wenn die Tastensperre aktiviert ist, ertönt bei Betätigung aller Tasten (alle außer ON/OFF-Taste und Tastensperre) ein Fehlerton. Um die Tastensperre zu deaktivieren, betätigen Sie die Tastensperre erneut. Jetzt kann das Kochfeld regelmäßig betrieben werden.

• Kindersicherung:

Diese Funktion erlaubt, das Kochfeld vor unbeabsichtigtem Betrieb zu schützen, beispielsweise durch Kinder. Ist diese Funktion eingestellt, kann das Kochfeld eingeschaltet werden, jedoch können keine Kochzonen, Leistungsstufen oder Timer ausgewählt werden. Um diese Funktion zu aktivieren, schalten Sie das Kochfeld ein, betätigen Sie die Zone L für eine beliebige Kochzone 3 Sekunden lang und auf der Zone H schieben Sie Ihren Finger von 0 auf 9.

Diese Sequenz muss innerhalb von 10 Sekunden beendet sein. Ist die Kindersicherung aktiviert, zeigt das Display das Symbol „L“ an. So deaktivieren Sie die Funktion: Schalten Sie das Kochfeld ein, betätigen Sie Zone L 3 Sekunden lang und schieben Sie dann Ihren Finger auf Zone H von 9 auf 0 innerhalb von 10 Sekunden. Die Kindersicherung ist jetzt deaktiviert.

• Bridge

Die Überbrückung von 2 Kochzonen ist die Verbindung von 2 einzelnen Kochzonen, so dass sie gesteuert werden können und sich wie eine große Kochzone verhalten. Dies ermöglicht die Verwendung von Kochgeschirr, das eine größere Bodenfläche als eine einzelne Kochzone hat. Um diese Funktion zu aktivieren, muss der Benutzer beide Kochzonen gleichzeitig berühren (L-Zone), auf diese Weise werden die Kochzonen überbrückt, und eine Anzeige zeigt  und die andere die Leistungsstufe. Um die Brücke zu deaktivieren, muss der Benutzer beide Kochzonen gleichzeitig berühren. Auf diese Weise werden die Kochzonen wieder in 2 getrennte Zonen aufgeteilt.

• Automatisches Vorheizen:

Das automatische Vorheizen ist eine Funktion, die erlaubt, einen kalten Topf auf Höchstleistung zu erwärmen und automatisch auf die gewünschte Leistungsstufe zurückschaltet. Die Zeit, in der die Kochzone auf Höchstleistung erwärmt wird, hängt von der gewählten Leistungsstufe ab. Um diese Funktion zu aktivieren, betätigen Sie die gewünschte Kochstufe (Zone H) mindestens 3 Sekunden lang; das Display zeigt das Symbol „H“ an. Um diese Funktion zu deaktivieren, betätigen Sie die Taste der eingestellten Kochzone (Zone L) 3 Sekunden lang oder wählen Sie eine niedrigere Leistungsstufe.


Leistungsstufe	Automatisches Vorheizen (sec.)
1	48
2	144
3	230
4	312
5	408
6	120
7	168
8	216
9	Nicht verfügbar
P	Nicht verfügbar

• Chef-Cook-Funktion:

Die Chef-Cook-Funktion schaltet 3 Kochzonen mit unterschiedlichen Leistungsstufen ein. Ausgehend von links nach rechts. Zum Aktivieren dieser Funktion betätigen Sie die Chef-Cook-Taste. Zum Deaktivieren betätigen Sie erneut die Chef-Cook-Taste. Die Leistungsstufen für alle Kochzonen sind auf 0 eingestellt. Die folgenden Leistungsstufen werden eingestellt und verteilt, sobald ein geeignetes Kochgeschirr auf die Kochzonen gestellt wird:

Anzahl der Kochzonen	Leistungsstufe
2	2
1	6
4	9

• Warmhaltefunktion:

Diese Funktion ist für das Warmhalten der Speisen gedacht. Die Leistungsstufe liegt zwischen 0 und 1. Um die Warmhaltefunktion zu aktivieren, betätigen Sie die Taste D der Zone L. Das Display zeigt folgendes an: .

• Energieverwaltung:

Das Kochfeld unterstützt die Energieverwaltung, um eine Überlastung der Netzwerkverbindung zu vermeiden. Die Energieverwaltung hat Vorrang: Die Kochzone, deren Leistung sich endgültig erhöht hat, erhält die gewünschte Leistung und die andere Kochzone wird reduziert. Die Leistungsreduzierung wird durch Blinken der Leistungsstufe OFF (Zone L) angezeigt und die Leistung wird reduziert.

• Einstellung der Leistungsstärke:

Die Leistung des Kochfelds kann über das Benutzermenü von einem Max. (7.4 kW / 6.7 kW / 3.7 kW) bis zu einem Min. von 1,4 kW in einem Step von 100W (0,1 kW) eingestellt werden. Das Benutzermenü ist für den Kunden gedacht, um es an seine persönlichen Bedürfnisse anzupassen. Um das Benutzermenü aufzurufen, muss sich die Steuerung im Standby-Modus befinden. Berühren Sie EIN / AUS (Taste A), um die Berührungsteuerung einzuschalten. Drücken Sie dann innerhalb von 3 Sekunden erneut den EIN / AUS-Regler (Taste A). An dieser Stelle erscheint die LED der Sonderfunktion (Taste B) der Taste. Befehl (B)

ist 60 Sekunden lang aktiv. Maximum, danach verlassen Sie automatisch das Menü. Durch Drücken dieser Taste innerhalb dieser 60 Sekunden und Gedrückthalten der Taste B erscheinen die LEDs der Kochzonen (L-Bereich). Zu diesem Zeitpunkt muss der Benutzer die Kochzonen (L-Bereich) im Uhrzeigersinn drücken. Jetzt können Sie über den Schieberegler (H-Bereich) auswählen, wie der Boden eingestellt werden soll. Um dies zu bestätigen, drücken Sie einfach die AUS-Taste (A). In der folgenden Tabelle werden die implementierten Benutzermenüelemente beschrieben:

Meldung	Bedeutung	Variabel	Wert	Hinweis
U0	Max. Leistung für Leistungsleiter	Ja	2.4 ... 5	Maximal zulässige Leistungseinstellung pro Leistungsleiter. Die maximale Leistung wird im Servicemenü definiert und kann schrittweise um 0,1 kW auf die minimale Leistung reduziert
U1	Filteränderungen	Ja	0,1,2	Filteränderungen: 0 - 150h (Default); 1 - 300 h; 2 - 400 h;
U2	Tastenton-Lautstärke	Ja	0...3	Einstellung der Tastenton-Lautstärke: 0: Tastenton aus 1: min. Lautstärke 2: mittlere Lautstärke 3: max. Lautstärke Hinweis: <ul style="list-style-type: none"> Aus regulatorischen Gründen kann der Ton zum Ein- und Ausschalten nicht deaktiviert werden. Sie werden mit der zuletzt eingestellten Lautstärke ausgegeben, indem die Tastentöne deaktiviert sind. Fehlertonsignale werden immer mit maximaler Lautstärke ausgegeben (Einstellung 3) und können nicht deaktiviert werden.
U3	Signalton-Lautstärke	Ja	0...3	Lautstärkeregelung für Signaltöne (z. B. wenn der Timer abgelaufen ist) 0: Lautstärke min. ... 3: Lautstärke max.
U4	Display-Helligkeit	Ja	0...9	Einstellung der Display-Helligkeit: 0: Helligkeit max. 9: Helligkeit min.
U5	Timer-Animation	Ja	0...1	0: No Timer animation 1: Die Timer-Animation beginnt 10 Min. vor Absaugen

Meldung	Bedeutung	Variabel	Wert	Hinweis
U7	Timer abgelaufen	Ja	0...2	0: Signalton für 120 Sekunden 1: Signalton für 10 Sekunden 2: Signalton aus

• Sicherheitsabschaltung

Die Sicherheitsabschaltung ist eine Funktion, mit der das Gerät ausgestattet ist. Die nach einer bestimmten Zeit eingeschalteten Kochzonen werden automatisch ausgeschaltet, ohne dass der Benutzer dies tun muss. Die Zeit, nach der die Kochzone ausgeschaltet wird, ist in der folgenden Tabelle angegeben. Jeder Benutzervorgang in Bezug auf die Kochzone setzt dieses Zeitlimit zurück.

Leistungsstufe	Max. Betriebsdauer (h)
Leistung 1	2
1	6
2	6
3	5
4	5
5	4
6	1.5
7	1.5
8	1.5
9	1.5
P	5 min.

TIPPS ZUM ENERGIESPAREN

- Verwenden Sie so wie möglich einen Deckel, um den Wärmeverlust zu begrenzen.
- Verwenden Sie für kleine Mengen kleine Behälter. Ein großer, wenig gefüllter Behälter benötigt viel Energie.
- Verwenden Sie zum Kochen wenig Wasser.
- Wenn das Wasser anfängt zu kochen oder wenn das Öl in der Pfanne heiß genug zum Braten ist, reduzieren Sie die Leistungsstufe.
- Verwenden Sie einen Schnellkochtopf, um die Garzeiten zu verkürzen.

ENTSORGUNG VON ELEKTRO- UND ELEKTRONIK-ALTGERÄTEN



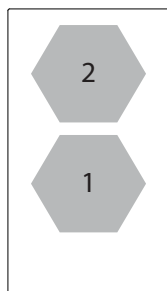
Richtlinie über Elektro- und Elektronik-Altgeräte 2002/96/EC (WEEE) weist darauf hin, dass das Produkt nicht über den Hausmüll entsorgt werden darf. Die Altgeräte müssen getrennt entsorgt werden, um die Rückgewinnungs- und Recyclingrate der enthaltenen Materialien zu optimieren und die Auswirkung auf Gesundheit und Umwelt zu verringern. Alle Produkte, die mit dem Symbol einer durchgestrichenen Mülltonne gekennzeichnet sind, müssen separat gesammelt und recycelt werden. Weitere Informationen über die korrekte Entsorgung des Gerätes erhalten Sie bei der Örtlichen Verwaltung oder bei Ihrem Händler.

FÜR SCHÄDEN, DIE DURCH NICHTBEACHTUNG DIESER BEDIENUNGSANLEITUNG ENTSTEHEN, ÜBERNEHMEN WIR KEINE HAFTUNG. DIE GARANTIE GILT NICHT FÜR SCHÄDEN, DIE DURCH NICHTBEACHTUNG DIESER BEDIENUNGSANLEITUNG ENTSTEHEN.

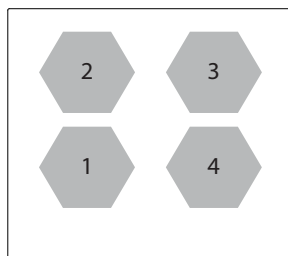
Informationen für Elektroherde für den Hausgebrauch

gemäß der Richtlinie (EU) N. 66/2014

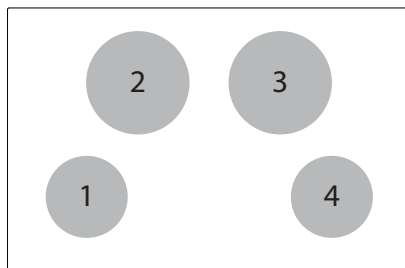
<i>Modell</i>	1PIDC30N	1PIDC60N	1PIDC80N	1PIDC90N	1PIDC120N
Kochplattentyp	built-in	built-in	built-in	built-in	built-in
Nr. Kochzonen / Bereiche	2	4	4	3	4
Heiztechnik. Induktion Kochzonen und Kochbereiche, Strahlkochzonen	1. = Induction 2. = Induction	1. = Induction 2. = Induction 3. = Induction 4. = Induction	1. = Induction 2. = Induction 3. = Induction 4. = Induction	1. = Induction 2. = Induction 3. = Induction	1. = Induction 2. = Induction 3. = Induction 4. = Induction
Kreisförmige Kochzonen: Nutzfläche: Durchmesser der Kochzone. Für nicht kreisförmige Kochzonen oder -bereiche: Länge und Breite der Nutzfläche per elektrische Kochzone oder -bereich. mm	1. = Octa 2. = Octa	1. = Octa 2. = Octa 3. = Octa 4. = Octa	1. = Ø 160 2. = Ø 200 3. = Ø 200 4. = Ø 160	1. = Octa 2. = Octa 3. = Ø 200	1. = Octa 2. = Octa 3. = Octa 4. = Octa
Energieverbrauch pro Kochzone oder Bereich berechnet pro kg (EC _{electric cooking}) Wh/Kg	1. = 189,7 2. = 189,7	1. = 189,7 2. = 189,7 3. = 189,7 4. = 189,7	1. = 179 2. = 193,3 3. = 193,3 4. = 179	1. = 189,7 2. = 189,7 3. = 193,3	1. = 189,7 2. = 189,7 3. = 189,7 4. = 189,7
Energieverbrauch des Kochfeldes berechnet pro kg (EC _{electric cooking}) Wh/Kg	189,7	189,7	186,1	190,9	189,7



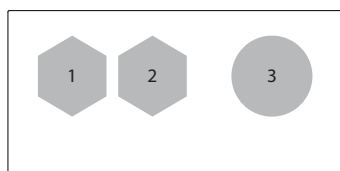
1PIDC30N



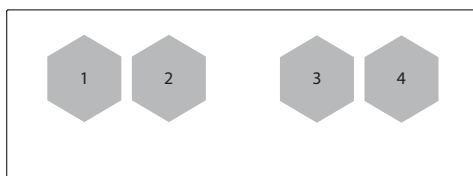
1PIDC60N



1PIDC80N



1PIDC90N



1PIDC120N

• **Error Code:**

Error Code	Bedeutung	Was passiert	Mögliche Ursache	Hilfe
E2	Überhitzungssensor der Kochzone	Die entsprechende Kochzone ist aus	Leeres Kochgeschirr	Kein leeres Kochgeschirr verwenden
			Kein geeignetes Kochgeschirr	Geeignetes Kochgeschirr verwenden
			Zu hohe Temperatur des Kochgeschirrs oder der Kochplatte. Zu hohe Temperatur der Elektronik.	Abkühlen lassen
E3	Falsches Kochgeschirr	Die entsprechende/n Kochzone/n sind aus	Der Topf verliert seine magnetischen Eigenschaften	Geeignetes Kochgeschirr verwenden
			Interner Fehler in der Generatorschaltung	Sich an den Technischen Support wenden
			Das Kochgeschirr erzeugt einen falschen Betriebspunkt auf dem Modul, der Geräte beeinträchtigen kann (es. IGBT)	1. Der Fehler wird nach 8 Sekunden automatisch gelöscht und die Kochzone kann wieder verwendet werden. Bei weiteren Fehlern müssen die Töpfe gewechselt werden. 2. Sich an den Technischen Support wenden
E4	Konfigurationsfehler	Die Kochzone schaltet sich nicht an	Das Induktionsmodul wurde nicht konfiguriert	Sich an den Technischen Support wenden
			Fehler in den Konfigurationsdaten des Induktionsmoduls	Kochzone löschen und wieder konfigurieren. Sich an den Technischen Support wenden
E5	Es besteht keine Kommunikation zwischen der Benutzer-Schnittstelle und dem Induktionsgenerator	Die Kochzone schaltet sich nicht an	LIN-Verkabelung oder fehlerhafte Stromverkabelung (z. B. fehlender Leitergleiter)	Sich an den Technischen Support wenden
			Keine Netzspannung	Sich an den Technischen Support wenden
			Interner Fehler in Generator- oder Filterkreisen	Sich an den Technischen Support wenden
			(Combo-Modell) Hilight-Relay-Voltage-Fehler - Hardware-Fehler	Sich an den Technischen Support wenden
			Fehlerkonfigurationsdaten	Sich an den Technischen Support wenden

E6	Die Versorgungsspannung liegt außerhalb des Bereichs (Spannung und / oder Frequenz).	Die Kochzone schaltet sich nicht an	Versorgungsspannung außerhalb des Bereichs (siehe technische Daten für Details).	Sich an den Technischen Support wenden
			Probleme mit dem Phasensignal der Netzspannung oder falsche Netzfrequenz.	Sich an den Technischen Support wenden
			Innerer Fehler in den Generatorschaltungen	Sich an den Technischen Support wenden
E7	Innerer Fehler	Die Kochzonen sind aus	-	Sich an den Technischen Support wenden
E8	Lüfter ist defekt	Die entsprechende Kochzone ist aus	Lüfter durch Staub oder Stoffe blockiert	Reinigen und Fremdkörper entfernen
			Lüfter oder Elektronikmodule defekt.	Sich an den Technischen Support wenden
E9	Innerer Fehler	Die Kochzonen sind aus	Die Temperatursensorleitung für die Kochzone ist offen oder kurzgeschlossen	Sich an den Technischen Support wenden
EA	Fehler des Temperatursensors der Kochzone	Die entsprechenden Kochzonen sind aus	-	Sich an den Technischen Support wenden
			Steuercode Flash-Fehler	Sich an den Technischen Support wenden
			IGBT - auch der Leerlaufstrom ist zu hoch	Sich an den Technischen Support wenden
			Der Kühlkörpersensor ist defekt oder kurzgeschlossen	Sich an den Technischen Support wenden
			EEPROM- Angabefehler	Sich an den Technischen Support wenden
			Spulenauswahlfehler, fehlerhafter Induktor oder falscher Induktor	1. Wiederverbinden 2. Sich an den Technischen Support wenden
			Interne RegisterEinstellung der MCU	Sich an den Technischen Support wenden
			Versorgungsspannung außerhalb des Bereichs	Sich an den Technischen Support wenden
			ADC-Starttest fehlgeschlagen ADC-Bandlückenspannung ungültig	Sich an den Technischen Support wenden
			Falsches Kondensatorsteuersignal Defektes Hardwaregerät	Sich an den Technischen Support wenden

EH	Temperatursensor der Kochzone blockiert	Die entsprechende Kochzone ist aus	Unzureichende Temperaturschwankung nach Einschalten des Kochfelds	Kochfeld abkühlen
			Keine Temperaturschwankung (min. 10 K / 5 min) nach dem Kochen	Sich an den Technischen Support wenden
ER03	Key-Aktivierung erkannt	Das Kochfeld schaltet sich nach 10 Sekunden aus.	Wasser oder Kochgeschirr auf SmartKüis von TC	Wasser oder Kochgeschirr entfernen
ER20	Interner Fehler Innerhalb TC	Das Kochfeld schaltet sich aus	-	Support wenden
ER21	Übertemperatur	Das Kochfeld schaltet sich aus.	Der Temperatursensor von TC hat eine Temperatur > 85°C angezeigt	Kochfeld abkühlen lassen (der Fehler löscht sich wenn die Temperatur <75°C erreicht). Sich an den Technischen Support wenden.
ER22	Interner Fehler innerhalb TC	Das Kochfeld Schaltet sich nach 3,5 - 7,5 Sekunden aus.	-	Sich an den technischen Support wenden
ER31	Konfiguration innerhalb der Touch-Steuerung und Induktion übereinstimmen nicht	ER31 wird ständig angezeigt.	Die Konfigurationsangaben innerhalb des Induktionsgenerators übereinstimmen nicht mit der Konfiguration innerhalb des TCs	Konfiguration herunterladen. Wenn der Fehler weiterhin besteht, TC ersetzen. Wenn der Fehler weiterhin besteht, sich an den Technischen Support wenden.
ER36	Interner Fehler innerhalb TC	Das Kochfeld schaltet sich aus.	-	TC ersetzen
ER42	Unplausible Sekundärstromversorgung	12V oder 5V zu hoch/zu niedrig		
ER47	Keine Kommunikation, auch nicht mit LIN-Vernetzung	ER47 wird ständig angezeigt.	LIN-Kabel ist beschädigt. Keine Stromversorgung der LIN-Vernetzung. LIN-Vernetzung defekt.	Sich an den Technischen Support wenden

INFORMACIÓN GENERAL

Lea atentamente el contenido de este libro que le proporcionará importantes instrucciones en cuanto a la seguridad de instalación, uso y mantenimiento. Conservar el manual para cada ulterior consulta. Todas las operaciones relativas a la instalación (conexión eléctrica) deben ser realizadas por personal especializado conformes a las normas vigentes.

ADVERTENCIAS PARA LA SEGURIDAD

Utilice la placa de cocción únicamente en situaciones de tipo doméstico para preparar y calentar alimentos. Todos los demás tipos de uso no están permitidos.

- Este electrodoméstico no está diseñado para que lo usen personas (incluidos los niños) con capacidades físicas, sensoriales o mentales reducidas, o falta de experiencia y conocimiento, a menos que una persona responsable de su seguridad les haya supervisado o instruido sobre el uso del electrodoméstico. Los niños menores de 8 años deben mantenerse alejados de la estufa a menos que

estén bajo supervisión constante. Los niños deben ser supervisados para asegurarse de que no jueguen con el aparato.

- Este aparato puede ser utilizado por niños a partir de los 8 años y por personas con capacidades físicas, sensoriales o mentales reducidas o falta de experiencia y conocimiento si han recibido supervisión o instrucciones sobre el uso del aparato de forma segura y comprenden los peligros involucrados
- Los niños no deben jugar con el aparato.
- La limpieza y el mantenimiento del usuario no deben ser realizados por niños sin supervisión.
- Los trabajos de instalación, reparación y mantenimiento solo deben ser realizados por un técnico de servicio autorizado. El trabajo de personas no calificadas podría ser peligroso para el usuario.
- **¡RIESGO DE SHOCK ELÉCTRICO!** Si la estufa está defectuosa o astillada, agrietada o rota de alguna manera, apáguela inmediatamente y no la siga usando. Desconéctelo de la fuente de

alimentación eléctrica.

- **ADVERTENCIA:** Si la superficie está agrietada, apague el aparato para evitar la posibilidad de descarga eléctrica, para superficies de vitrocerámica o material similar que protegen las partes activas.
- **ADVERTENCIA:** El aparato y sus partes accesibles se calientan durante el uso. Se debe tener cuidado para evitar tocar los elementos calefactores.
- **ADVERTENCIA:** Cocinar sin supervisión en una placa con grasa o aceite puede ser peligroso y puede provocar un incendio. NUNCA intente extinguir un fuego con agua, apague el aparato y luego cubra la llama, p. con tapa o manta ignífuga.
- **ADVERTENCIA:** La placa de cocción está caliente durante el uso y permanece así durante un tiempo después de apagarla. El riesgo de quemaduras permanece hasta que se apagan los indicadores de calor residual.
- **ADVERTENCIA:** Utilice únicamente protectores de placa diseñados por el fabricante del aparato de cocción o indicados por el fabricante del aparato en las instrucciones de uso como

adecuados o protectores de placa incorporados en el aparato. El uso de resguardos inapropiados puede causar accidentes.

- **PRECAUCIÓN:** El proceso de cocción debe ser supervisado. Un proceso de cocción a corto plazo tiene que ser supervisado continuamente.
- **RIESGO DE INCENDIO:** ¡No guarde artículos sobre las superficies de cocción! Los objetos metálicos como cuchillos, tenedores, cucharas y tapas no deben colocarse sobre la superficie de cocción ya que pueden calentarse
- ¡Apague siempre las zonas de cocción después de su uso!

El aparato no está diseñado para ser operado por medio de un temporizador externo o un sistema de control remoto separado. Esto no es aplicable en caso de apagar la operación por medio de los dispositivos cubiertos por EN 50615.

- No se puede utilizar el limpiador a vapor.

La marca comercial del fabricante y el tipo de modelo se pueden encontrar en la parte inferior del dispositivo, visible después de abrir las puertas o los cajones.

INSTRUCCIONES PARA LA INSTALACIÓN

Estas instrucciones de instalación están destinadas a ser usadas por un instalador especializado y deben considerarse como pautas para la instalación, la regulación y el mantenimiento de la placa de cocción respetando las normas y estándares en vigor. Si un horno empotrado o cualquier otro aparato que genere calor tenga que colocarse debajo de la placa de vitrocerámica,

ES NECESARIO QUE SE AISLEN AMBOS APARATOS: HORNO Y PLACA DE VITROCERÁMICA.

La falta de observación de estas precauciones podría comportar el mal funcionamiento del sistema TOUCH CONTROL.

• Posicionamiento:

Este electrodoméstico fue proyectado para ser empotrado en la mesada, como, muestra la figura (fig. 1 Dimensión-corte). Usar material de sellado a lo largo de todo el perímetro (fig.2) Esta operación es necesaria para evitar que los líquidos entren en el interior de la placa, porque no se garantiza que el aparato se encuentre en una posición totalmente plana, ni el vidrio, ni tampoco que ambos estén montados al mismo nivel. Empujar delicadamente el aparato en el orificio para poderlo empotrar (fig.4). Si después de la instalación la parte inferior del aparato es accesible por la parte inferior del mueble hay que colocar un panel distanciador con las distancias indicadas (fig.3).

• Conexiones eléctricas (Fig.8):

La instalación de este aparato y la conexión a la red eléctrica tienen que ser realizadas por un electricista que conozca perfectamente las normas y que las respete estrictamente.

- Hay que asegurar, después de haber empotrado el aparato, la protección contra las partes en contacto con la tensión eléctrica.
- Los datos de conexión necesarios se encuentran en las etiquetas puestas en la vajilla de la placa cerca de la caja de conexión.
- La conexión a la red tiene que efectuarse a través de un enchufe con puesta a tierra o a través de un dispositivo de interrupción omnipolar con apertura de contactos de al menos 3 mm.
- El circuito eléctrico tiene que separarse de la red mediante dispositivos adecuados por ejemplo: enchufes automáticos, fusibles o

contadores.

- Si el aparato no tiene enchufe accesible hay que prever medios de conexión en la instalación fija según las normas de instalación.
- El tubo de alimentación tiene que estar colocado de manera que no toque ninguna de las partes calientes de la placa de cocción.

¡Atención!

Estos modelos solo se pueden conectar a las siguientes redes:

- Mod. 1PIDC120N: 220-240V~50/60 Hz
380-415 V 2N ~ 50/60 Hz

-Mod. 1PIDC90N: 220-240 V~50/60 Hz
380-415 V 2N ~ 50/60 Hz

-Mod. 1PIDC80N: 220-240 V~50/60 Hz
380-415 V 2N ~ 50/60 Hz

-Mod. 1PIDC60N: 220-240 V~50/60 Hz
380-415 V 2N ~ 50/60 Hz

-Mod. 1PIDC30N: 220-240 V~50/60 Hz

Conectar siempre la puesta a tierra. Respetar el esquema de conexión.

La caja de conexión se encuentra debajo en la parte de atrás del revestimiento de la placa de cocción, para abrir la placa usar un destornillador medio.

¡Atención!

Prestar atención que los cables estén correctamente enganchados y cerrados.

No nos hacemos responsables de ningún accidente derivado de una conexión equivocada o que podría derivar del uso de un aparato que no fue puesto a tierra o que tiene una conexión a tierra defectuosa

Equipo que cumple con IEC 61000-3-12

USO Y MANTENIMIENTO

• Mantenimiento (Fig.9):

Quitar residuos de comida o gotas de grasa de la placa de cocción, usando el raspador especial suministrado por separado a pedido.

Limpiar la zona calentada de la mejor manera posible usando productos adecuados y una servilleta de papel, por lo tanto enjuagar con agua y secar con un trapo limpio.

A través del uso del raspador especial (opcional) quitar el papel de aluminio y el material plástico que haya quedado en la zona de cocción y que pueda derretirse por equivocación, o si haya que-

dado algún residuo de azúcar o de comida y/o resto de comida azucarada, de esta manera se previene cualquier daño en la superficie.

De ninguna manera está consentido usar esponjas abrasivas o detergentes químicos irritantes como aerosol para hornos o detergentes.

• **Uso:**

Usar el Sistema de control táctil en la posición correspondiente según las necesidades de cocción individual. Considera que más alto es el número, más calor se produce.

El mando ofrece una cómoda gestión ya que las selecciones se efectúan tocando directamente en la pantalla:

- la selección activa se muestra a su máxima intensidad;
- las selecciones disponibles se muestran con baja intensidad;
- las selecciones que no están disponibles se encuentran apagadas.

• **Funciones (Fig. 5):**

- A** - Encendido / apagado
- B** - Bloque mandos
- C** - Pausa & Llamada
- D** - Función para calentar la olla
- E** - Función chef
- F** - Ajuste temporizador(+/-)
- G** - Temporizador
- H** – deslizante nivel de potencia
- I** – Booster (Amplificador)
- L** – Pantalla de la zona de cocción


• **Encendido / apagado de la placa de cocción:**

Tocar la tecla A para encender la placa de cocción y el led se encenderá. Los niveles de potencia para todos los niveles de cocción son 0 (las pantallas de las zonas de cocción están apagadas).

La placa de cocción se apaga automáticamente después de 20 seg. si todos los niveles de cocción están configurados a 0 y no se realiza ninguna operación. Para encender el aparato es suficiente tocar la tecla A. Por motivos de seguridad se puede siempre apagar la placa a través de la tecla ON/OFF.

• **Detección de ollas:**

Esta placa de cocción está equipada con un sistema de control interactivo que hace que sea más fácil y cómodo de usar. Después de haber encendido la placa de cocción, cuando se coloca una olla en la superficie de vitrocerámica, el sis-

tema de control la detecta automáticamente y en la pantalla de la zona de cocción aparece 0. No queda que configurar el nivel de cocción previsto. Si se quita la sartén de esa zona de cocción, la pantalla mostrará este símbolo: 

• **Encendido / Apagado de la zona de cocción:**

Colocar una olla en la zona de cocción deseada y pulsar el dedo en la zona de las teclas L. Utilizar el deslizador (área H) para modificar el nivel de potencia de la zona [pasar a la posición 9 (potencia máxima) o para pasar a la posición 1 (potencia mínima)]. La potencia de cada zona de cocción se ajusta en 9 diferentes posiciones y se mostrará en la pantalla luminosa con un número de "1 a 9".

Para apagar esa zona de cocción es necesario usar 0 en la zona H, y automáticamente la pantalla de la zona (L) mostrará 0.

• **Booster (Amplificador):**

El amplificador permite que la inducción disipe una potencia mayor de una zona de cocción por un corto período de tiempo (máx. 5 min). Ya que la función "amplificador" puede alcanzar temperaturas elevadas, tiene que usarse solo para procedimientos de cocción que utilicen agua. El aceite y la grasa pueden empezar a quemarse si se usa el "amplificador". Elegir la zona de cocción deseada L, por lo tanto tocar el símbolo P en la zona H. De esta manera se activa el amplificador para la zona de cocción seleccionada, ahora la pantalla mostrará P.

Para quitar la función amplificador de una zona en particular, seleccionar un nivel de cocción diferente (de 1 a 9). La función "amplificador" termina y la zona de cocción se calienta con el nuevo nivel de cocción seleccionado.

• **Indicación del calor residual:**

Si la temperatura de la zona de cocción es todavía alta (más de 60°) después de que se haya apagado. La pantalla indicará el símbolo H (calor residual). El símbolo se apagará solo cuando el riesgo de quemaduras cesará.

• **Temporizador:**

Existen dos tipos diferentes de temporizador, Si se configura más de un temporizador, el temporizador mostrará siempre el tiempo restante más bajo. Ambos temporizadores se pueden ajustar dentro del rango 1 min/9h 59 min.

- **Temporizador autónomo / Temporizador de la zona de cocción:**

El **temporizador autónomo** se comporta como un minutero de cocina. Para activar esta función hay que asegurarse de que no haya sido seleccionada ninguna zona de cocción, el temporizador muestra "-", tocar el temporizador, cuya pantalla 00 parpadea por los siguientes 10 seg. Ajustar la hora de inicio deseada con +/-, no realizar ninguna acción por al rededor de 5 seg. El temporizador inicia la cuenta regresiva. Por debajo de 10 min, la pantalla muestra la hora corriente justa al segundo. Si llega al minuto 0 se escuchará una señal acústica. Para modificar el valor del temporizador autónomo, el usuario tiene que controlar que no se haya seleccionado ninguna zona de cocción, por lo tanto tocar la tecla temporizador, configurar el nuevo tiempo deseado y al final después de 5 minutos el temporizador empezará a contar hacia atrás empezando con el nuevo tiempo.

Para desactivar esta función verificar antes de todo que no se haya seleccionado antes ninguna zona de cocción, tocar la tecla temporizador, se mostrará la hora actual parpadeante, configurar la función temporizador independiente a "000" a este punto la función está desactivada.

Los **temporizadores de las zonas** de cocción pueden usarse para apagar en automático una zona de cocción al terminar el tiempo configurado. Para activar esta función, el usuario puede seleccionar la zona de cocción correspondiente, y tocar la tecla en cuestión Temporizador G, por lo tanto ajustar la hora de inicio deseada (+/-), si no se realiza ninguna acción por casi 5seg., el temporizador empieza la cuenta regresiva. Para modificar el valor del temporizador de la zona de cocción, seleccionar la zona de cocción correspondiente, tocar la hora, y configurar el nuevo tiempo deseado (+/-), no realizar ninguna acción por 5 seg., el temporizador inicia la cuenta regresiva partiendo del nuevo tiempo. Para desactivar este temporizador, el usuario debe configurar la hora de la zona de cocción a "000".

- **Pausa:**

La función pausa es una función que permite "congelar" la placa de cocción por máx 10 minutos. Por ejemplo, si el usuario deja la placa de cocción por poco tiempo. Cuando la función pausa está activada, ninguna zona de cocción disipa calor, y todos los temporizadores, incluido el temporiza-

dor autónomo, se suspenden. Además el amplificador y el calentamiento automático se interrumpen. Para activar esta función tocar C, todas las pantallas (zona L) muestran//.Para desactivarlo tocar C y otra tecla cualquiera dentro de 10 seg.

- **Función de recuperación:**

Esta función permite recuperar los niveles de potencia y las configuraciones del temporizador después de que la placa de cocción su hubiese apagado sin querer.

Po ejemplo, si la placa de cocción acaba de ser apagada. El usuario puede encender otra vez la placa de cocción a través de la tecla ON/OFF (tecla A) dentro de 6 seg.

Después, el símbolo pausa parpadeará por 6 seg., ahora el usuario tendrá que tocar el símbolo pausa (tecla c), a este punto la función de recuperación se active. Se recuperan todos los niveles de potencia, y los temporizadores configurados anteriormente.

- **Bloque mandos:**


El bloque de teclas es una función destinada a bloquear las teclas cuando la placa de cocción está en función o en estado de pausa, Esto es útil cuando se quiera limpiar ya que el control táctil no es capaz de distinguir un trapo mojado de un dedo. Cuando la placa de cocción está encendida, el usuario puede tocar el bloque de teclas (tecla B)por 1 seg. y todos las teclas menos el bloque teclas y el ON/OFF se bloquean.Cuando el bloque de teclas está activado, pulsando todas las teclas apagadas (todas menos ON/OFF y Bloque de teclas) se emitirá un tono de rechazo. Para desactivar esta función, tocar otra vez el Bloque de teclas, a este punto la placa de cocción puede funcionar con regularidad.

- **Bloque mandos niños:**


Esta función es útil para proteger la placa de cocción de maniobras involuntarias, por ejemplo realizadas por niños. Si bloqueada, la placa de cocción puede encenderse, pero no se podrá seleccionar ninguna zona de cocción, nivel de calentamiento o temporizador. Para activar esta función el usuario tiene que encender la placa de cocción tocar y mantener pulsada la tecla L de una zona de cocción cualquiera por 3 segundos, deslizarse hasta la zona H, de 0 a 9. Esta

secuencia tiene que completarse dentro de 10 segundos. La pantalla muestra L para indicar el bloque niños activado. Para desactivar la función: encender la placa, tocar y mantener pulsada la zona L por 3 seg., Por lo tanto deslizarse hasta la zona H de 9 a 0 dentro de 10 segundos. De esta manera el bloque niños está desactivado.

• Función del Bridge

El puente de 2 zonas de cocción es la conexión de 2 zonas de cocción individuales, por lo que se pueden controlar y se comportarán como una gran zona de cocción. Esto permite usar utensilios de cocina que tienen una superficie inferior más grande que una sola zona de cocción. Para activar esta función, el usuario debe tocar las dos zonas de cocción simultáneamente (zona L), de esta manera se puentean las zonas de cocción, y en una pantalla se muestra  y en la otra el nivel de potencia. Para deshabilitar el puente, el usuario debe tocar ambas zonas de cocción simultáneamente. De esta manera, las zonas de cocción se dividen nuevamente en 2 zonas separadas.

• Calentamiento automático:

El calentamiento automático es una función que permite calentar una olla fría a la máxima potencia de calentamiento y volver en automático al nivel de cocción deseado. El tiempo durante el cual la zona de cocción se calienta con la máxima potencia depende del nivel de cocción seleccionado. Para activar el calentamiento automático es necesario pulsar por al menos 3 seg. el nivel de cocción deseado (zona H), y la pantalla mostrará este símbolo: . Para desactivar esta función pulsar el comando de la zona de cocción (zona L) por 3 seg. o seleccionar otro nivel de cocción.

Niveles de potencia	Calentamiento automático (seg.)
1	48
2	144
3	230
4	312
5	408
6	120
7	168
8	216

Niveles de potencia	Calentamiento automático (seg.)
9	No disponible
P	No disponible

• Función del Chef Cook:

La función Chef Cook habilita 3 zonas de cocción con diferentes potencias de calentamiento. Partiendo desde la izquierda hacia la derecha.

Para activar esta función, pulsar la tecla función, pulsar la tecla función Chef Cook (E).


Para desactivarlo pulsar la tecla función Chef Cook.

Los niveles de potencia para todas las zonas de cocción están configuradas a 0.

Cuando un olla ideal se coloca sobre la zona de cocción se configuran y desplian los siguientes niveles de potencia:

Número zonas de cocción	Niveles de potencia
2	2
1	6
4	9

• Función para mantener caliente la olla:

Esta función se usa para mantener caliente la comida hervida. El nivel de potencia está entre 0 y 1. Para activar el nivel de calentamiento es necesario seleccionar la zona (L) y pulsar la tecla D. La pantalla mostrará .

• Gestión energética:

La placa de cocción permite la gestión de la alimentación, para evitar la sobrecarga de la conexión a la red. La gestión de potencia prioritaria, por lo que si el usuario aumenta la potencia de calentamiento de una zona, es posible que otra zona de cocción tenga una reducción de potencia en automático. La reducción de potencia será notificada al operador a través del parpadeo de OFF del nivel de cocción (Zona L).

• Configuración de potencia:

La potencia de la placa puede configurarse al máx. (7.4 kW / 6.7 kW / 3.7 kW) hasta un mínimo de 1.4 kW, usando un paso de 100W (0.1 kW), del menú del usuario. El menú de usuario está destinado al cliente, para adaptarlo a sus necesidades personales.

Para ingresar al menú de usuario, el control debe estar en modo de espera, toque ENCENDIDO / APAGADO (tecla A). Luego presione el control de ENCENDIDO / APAGADO (tecla A) nuevamente dentro de los 3 segundos. En este punto apare

cerá el led de la función “especial” (Tecla B) de la tecla. El comando (B) estará activo durante 60 segundos. máximo, después de lo cual saldrá automáticamente del menú. Pulsando, dentro de estos 60 segundos, y manteniendo pulsada la tecla B, aparecen los LED de las zonas de cocción (zona L); en este punto el usuario debe presionar las zonas de cocción (área L) en sentido horario; ahora a través del control deslizante (área H) puede elegir cómo colocar la potencia. Para confirmarlo, simplemente presione la tecla OFF (A). En la siguiente tabla se describen los elementos del menú usuario implementadas:

Artículo	Descripción	Variable	Forma Valor	Notas
U0	Max. potencia para el conductor de línea	Si	2.4 ... 5	Configuración del máx. de la potencia consentida por conductor de línea. El máximo de la potencia se define en el interior del menú de servicio y se puede reducir solo a pasos de 0,1 Kw hasta la potencia máxima.
U1	Configuración del filtro	Si	0,1,2	Modificaciones del Filtro: 0 - 150 h (predefinido) 1 - 300 horas 2 - 400 horas
U2	Volumen del sonido de las teclas	Si	0...3	<ul style="list-style-type: none"> Ajuste del volumen del sonido de las teclas 0: ningún sonido de las teclas <ul style="list-style-type: none"> 1 min. volumen 2: mitad volumen 3: máx. Volumen <ul style="list-style-type: none"> Apuntes: Por motivos normativos, el sonido de las teclas para el encendido y el apagado no se pueden desactivar, se escucharán con el volume configurado por última vez antes de que el sonido se haya desactivado. <ul style="list-style-type: none"> Los sonidos de error se escucharán con el máximo del volumen (configuración 3) y no se pueden desactivar.
U3	Volumen para señales acústicas	Si	0...3	Ajuste del volumen para las señales acústicas (es: al finalizar del tiempo) 0: min. volumen 3: máx volumen
U4	Luminosidad de la pantalla	Si	0...9	Ajuste de la luminosidad de la pantalla 0: máx. luminosidad ... 9: min. luminosidad
U5	Temporizador	Si	0...1	0: ninguna animación del temporizador 1: el temporizador es animado por 10 min. antes de que caduque
U7	Comportamiento al caducar el tiempo	Si	0...2	0: señal acústica por 120 sec. 1: señal acústica por 10 sec. 2: Ningún sonido.

• Limitación del tiempo de funcionamiento

La limitación del tiempo de funcionamiento es una función de seguridad adicional para apagar la zona de cocción después de un determinado período de tiempo, sin que el usuario haya hecho ninguna operación en la zona.

En la tabla siguiente se indica el tiempo transcurrido desde que se apaga la zona de cocción. Cada operación del usuario relativa a la zona de cocción pone a cero este límite de tiempo.

Nivel de cocción	Máx. Tiempo de funcionamiento (h)
Nivel de calentamiento 1	7
1	6
2	6
3	5
4	5
5	4
6	1.5
7	1.5
8	1.5
9	1.5
P	5 min.

CONSEJOS PARA AHORRAR ENERGÍA

- Utilizar una tapa siempre que sea posible para minimizar la pérdida de calor.
- Utilizar una sartén pequeña cuando se cuecen pequeñas cantidades. Una sartén pequeña utiliza menos energía que una sartén más grande con poca comida en su interior.
- Cocer con el menor agua posible.
- Cuando la comida ha llegado a ebullición o cuando el aceite en la sartén está suficientemente caliente para freír, reducir la llama a un nivel más bajo.
- Utilizar una olla a presión para reducir el tiempo de cocción.

ELIMINACIÓN DE VIEJOS APARATOS ELÉCTRICOS

La Directiva Europea 2002/96/CE sobre los desperdicios de los aparatos eléctricos y electrónicos (RAEE), provee que los electrodomésticos no tienen que ser eliminados en el normal flujo de los desperdicios sólidos urbanos. Los aparatos para desechar tienen que ser recogidos separadamente para optimizar la tasa de recuperación y de reciclaje de los materiales que los componen y para evitar potenciales daños para la salud y el ambiente. El símbolo del cesto de basura tachado se encuentra en todos los productos, para recordar las obligaciones del recogido separado. Para ulteriores informaciones, sobre la correcta eliminación de los electrodomésticos, el comprador se puede dirigir al servicio público propuesto o a el vendedor.

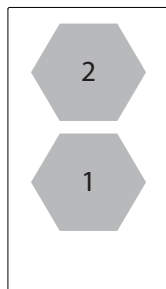


EL FABRICANTE NO SE HACE RESPONSABLE DE LOS DAÑOS PRODUCIDOS POR EL INCUMPLIMIENTO DE ESTAS ADVERTENCIAS.

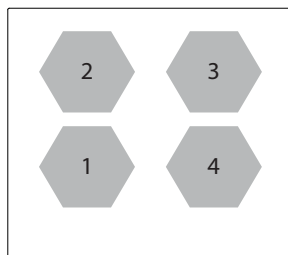
LA GARANTÍA NO ES VÁLIDA EN EL CASO DE DAÑOS PROVOCADOS POR EL INCUMPLIMIENTO DE DICHAS ADVERTENCIAS

Informaciones sobre las placas de cocción eléctricas para uso doméstico Según la reglamentación (UE) n. 66/2014

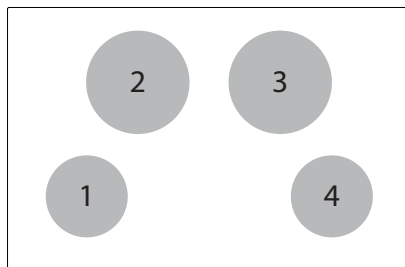
Identificación del modelo	1P IDC30N	1P IDC60N	1P IDC80N	1P IDC90N	1P IDC120N
Tipo de placa de cocción	empotrado	empotrado	empotrado	empotrado	empotrado
Número de zonas y/o áreas de cocción	2	4	4	3	4
Tecnología de calefacción Zonas de cocción y de inducción, zonas de cocción radiantes	1. = Induction 2. = Induction	1. = Induction 2. = Induction 3. = Induction 4. = Induction	1. = Induction 2. = Induction 3. = Induction 4. = Induction	1. = Induction 2. = Induction 3. = Induction	1. = Induction 2. = Induction 3. = Induction 4. = Induction
Para las zonas de cocción eléctricas circulares: diámetro de la superficie útil. Para zonas o áreas de cocción no circulares: longitud/ anchura de la superficie/zona de cocción útil. mm	1. = Octa 2. = Octa	1. = Octa 2. = Octa 3. = Octa 4. = Octa	1. = Ø 160 2. = Ø 200 3. = Ø 200 4. = Ø 160	1. = Octa 2. = Octa 3. = Ø 200	1. = Octa 2. = Octa 3. = Octa 4. = Octa
Consumo de energía por zona o área de cocción calculado por kg (EC _{electric cooking}) Wh/Kg	1. = 189,7 2. = 189,7	1. = 189,7 2. = 189,7 3. = 189,7 4. = 189,7	1. = 179 2. = 193,3 3. = 193,3 4. = 179	1. = 189,7 2. = 189,7 3. = 193,3	1. = 189,7 2. = 189,7 3. = 189,7 4. = 189,7
Consumo energético de la placa de cocción calculada por (EC _{electric cooking}) Wh/Kg	189,7	189,7	186,1	190,9	189,7



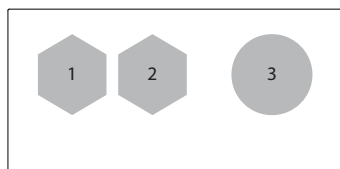
1P IDC30N



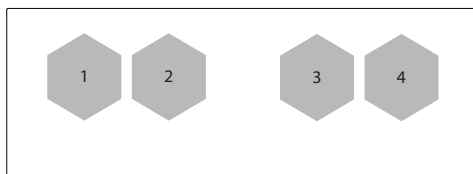
1P IDC60N



1P IDC80N



1P IDC90N



1P IDC120N

• Código de error:

Código de error	Descripción	Comportamiento	Posibles causas	Remedios
E2	Sobrecalentamiento del sensor de temperatura para la zona de cocción	La zona de cocción correspondiente está apagada	Olla vacía	No calentar olla vacía
			Olla no apta	Usar olla apropiada
			La temperatura de la olla o del vidrio es demasiado alta. Temperatura electrónica demasiado alta	Enfría el sistema
E3	Olla no apta	La zona de cocción correspondiente están apagadas	Las ollas están perdiendo sus características magnéticas.	Usar ollas apropiadas
			Error interior del circuito del generador	Contactar el soporte técnico
			La olla crea en el módulo un punto de funcionamiento impropio que puede destruir los dispositivos, por ejemplo IGBT	1. El error se elimina automáticamente después de 8 hs y la zona de cocción puede volver a usarse, en caso de otros errores las ollas tienen que ser cambiadas. 2. Contactar el soporte técnico
E4	Error de configuración	No es posible encender la zona de cocción	El módulo de indicción no está todavía configurado.	Contactar el soporte técnico
			Error en los datos de configuración del módulo de inducción-	Borra y configura la zona de cocción. Contactar el soporte técnico.
E5	Ninguna comunicación entre la interfaz usuario y el generador de inducción.	No es posible acceder a la zona de cocción	Cables LIN o cables de alimentación defectuosos (ad. Es. Falta del conductor de línea)	Contactar el soporte técnico
			Ninguna tensión de red en los barcos esclavos	Contactar el soporte técnico
			Error interno en el circuito del generador o del filtro	Contactar el soporte técnico
			(Versión mixta) Error de tensión relé HiLight - Dispositivo hardware defectuoso	Contactar el soporte técnico
			Datos de configuración del error	Contactar el soporte técnico

E6	La tensión de alimentación está fuera de campo (tensión y/o frecuencia)	No está disponible el encendido de la zona de cocción	La tensión de alimentación está fuera de campo (ver los datos técnicos para detalles)	Contactar el soporte técnico.
			Error en la frecuencia de red del señal de fase de la tensión de red problema	Contactar el soporte técnico
			Error interno nel circuito del generador	Contactar el soporte técnico
E7	Error interno	La zona de cocción están apagadas	-	Contactar el soporte técnico
E8	Avería del ventilador	La zona de cocción está apagada	Ventilador bloqueado por polvo o tejidos	Limpia y quita cuerpos extraños
			Ventilador o electronica del modulo defectuosa	Contactar el soporte técnico
E9	Error del sensor de la temperature para la zona de cocción	La zona de cocción está apagada	La línea del sensor de la temperature para la zona de cocción está abierta o en corto circuito	Contactar el soporte técnico
EA	Error interior	Las zonas de cocción está apagada	-	Contactar el soporte técnico
			Error Flash checksum	Contactar el soporte técnico
			IGBT- Corriente al mínimo demasiado alta	Contactar el soporte técnico
			Sensor del disipador de calore roto o en cortocircuito	Contactar el soporte técnico
			EEPROM- error datos	Contactar el soporte técnico
			Error de selección del a bobina Inductor difectuoso o inductor equivocado	1. Reconectarse 2. Contactar el soporte técnico.
			MCU configuración del registro interior	Contactar el soporte técnico
			Tensión de alimentación del gate fuera de intervalo	Contactar el soporte técnico
			Error de la prueba de encendido del ADC Tensión bandgap ADC no válida	Contactar el soporte técnico
			Señal de control del condensador equivocado Dispositivo hardware defectuoso	Contactar el soporte técnico

EH	Sensor de la temperatura bloqueado por la zona de cocción	La zona de cocción está apagada	Cambio de la temperatura insuficiente después del encendido de la placa de cocción	Enfriamiento de la superficie de vitrocerámica
			Ningún cambio de temperatura (min. 10 K / 5 min)	Contactar el soporte técnico
ER03	Detectada activación continua de la llave	La placa de cocción se apaga después de 10 seg.	Agua o macetas colocadas en el área de control	Quitar el agua o la olla del vidrio
ER20	Error en el interior del TC	La placa de cocción se apaga	-	Contactar el soporte técnico
ER21	Temperatura demasiado alta	La placa de cocción se apaga	El sensor de la temperatura en la zona mandos ha detectado un temperatura > 85 ° C	Dejar enfriar la placa de cocción(el error desaparece si la temperatura es <75° C). Si el error continua Contactar el soporte técnico.
ER22	Error en el interior del mando	La placa de cocción se apaga después de 3,5-7,5 seg.	-	Contactar el soporte técnico
ER31	La configuración en el interior del mando y de la inducción son incongruentes	ER31 Se ve muy seguido	Los datos de configuración en el interior del generador a inducción son diferentes a la configuración en el interior del mando	Descarga la configuración. Si el error continúa, cambiar el mando, y Contactar el soporte técnico.
ER36	Error interno en el interior del mando	La placa de cocción Se apaga	-	Cambiar el mando y Contactar el soporte técnico
ER42	Alimentación secundaria inversible	12V o 5V demasiado alta / demasiado baja		
ER47	Ninguna comunicación con al menos un suscriptor LIN	ER47 Se ve muy seguido	Cable LIN dañado. Ninguna alimentación de tensión para el suscriptor LIN. Suscriptor LIN defectuoso	Contactar el soporte técnico

INFORMATIONS GÉNÉRALES

Lire attentivement le contenu du présent livret, étant donné qu'il fournit d'importantes indications concernant la sécurité d'installation,

d'utilisation et d'entretien. Conserver le livret pour toute consultation ultérieure. Toutes les opérations concernant l'installation (et le câblage électrique) doivent être effectuées par du personnel qualifié conformément aux normes en vigueur.

AVERTISSEMENTS DE SÉCURITÉ

Utilisez la table de cuisson uniquement dans des situations de type domestique pour la préparation et le réchauffement des aliments. Tout autre type d'utilisation est interdit.

- Cet appareil n'est pas destiné à être utilisé par des personnes (y compris les enfants) ayant des capacités physiques, sensorielles ou mentales réduites, ou un manque d'expérience et de connaissances, à moins qu'elles n'aient reçu une supervision ou des instructions concernant l'utilisation de l'appareil par une personne responsable

de leur sécurité. Les enfants de moins de 8 ans doivent être tenus à l'écart de la table de cuisson à moins qu'ils ne soient sous surveillance constante. Les enfants doivent être surveillés pour s'assurer qu'ils ne jouent pas avec l'appareil.

- Cet appareil peut être utilisé par des enfants âgés de 8 ans et plus et des personnes ayant des capacités physiques, sensorielles ou mentales réduites ou un manque d'expérience et de connaissances s'ils ont reçu une supervision ou des instructions concernant l'utilisation de l'appareil en toute sécurité et comprennent les dangers impliqués
- Les enfants ne doivent pas jouer avec l'appareil.
- Le nettoyage et l'entretien par l'utilisateur ne doivent pas être effectués par des enfants sans surveillance.
- Les travaux d'installation, de réparation et d'entretien ne doivent être effectués que par un technicien de service agréé. Le travail effectué par des personnes non qualifiées peut être dangereux pour l'utilisateur.
- **RISQUE DE CHOC ELECTRIQUE!** Si la table

de cuisson est défectueuse ou ébréchée, fissurée ou cassée de quelque manière que ce soit, éteignez-la immédiatement et ne continuez pas à l'utiliser. Débranchez-le de l'alimentation électrique.

- **AVERTISSEMENT:** Si la surface est fissurée, éteignez l'appareil pour éviter tout risque d'électrocution, pour les surfaces de cuisson en vitrocéramique ou matériau similaire qui protègent les parties sous tension.
- **AVERTISSEMENT:** L'appareil et ses parties accessibles deviennent chauds pendant l'utilisation. Des précautions doivent être prises pour éviter de toucher les éléments chauffants.
- **AVERTISSEMENT:** La cuisson sans surveillance sur une table de cuisson avec de la graisse ou de l'huile peut être dangereuse et provoquer un incendie. N'essayez JAMAIS d'éteindre un feu avec de l'eau, mais éteignez l'appareil puis couvrez la flamme, par ex. avec un couvercle ou une couverture anti-feu.
- **AVERTISSEMENT:** La table de cuisson est chaude pendant l'utilisation et elle

le reste pendant un certain temps après avoir été éteinte. Le risque de brûlure subsiste jusqu'à ce que les voyants de chaleur résiduelle se soient éteints.

- **AVERTISSEMENT:** N'utilisez que des grilles de protection conçues par le fabricant de l'appareil de cuisson ou indiquées par le fabricant de l'appareil dans les instructions d'utilisation comme appropriées ou des grilles de protection incorporées dans l'appareil. L'utilisation de protections inappropriées peut provoquer des accidents.
- **CAUTION:** Le processus de cuisson doit être supervisé. Un processus de cuisson à court terme doit être surveillé en permanence.
- **DANGER D'INCENDIE:** Ne stockez pas d'objets sur les surfaces de cuisson ! Les objets métalliques tels que les couteaux, les fourchettes, les cuillères et les couvercles ne doivent pas être placés sur la surface de la table de cuisson car ils peuvent devenir chauds.
- Éteignez toujours les zones de cuisson après utilisation ! L'appareil n'est pas destiné à être utilisé au moyen d'une minuterie

externe ou d'un système de télécommande séparé. Cela ne s'applique pas en cas d'arrêt du fonctionnement au moyen des dispositifs couverts par la norme EN 50615.

- Le nettoyeur à vapeur ne peut pas être utilisé.

La marque du fabricant et le type de modèle se trouvent dans la partie inférieure de l'appareil, visibles après l'ouverture des portes ou des tiroirs.

INSTRUCTIONS POUR L'INSTALLATION

Les instructions suivantes s'adressent à un installateur spécialisé et servent de guide pour l'installation, le réglage et l'entretien en conformité avec les lois et les normes en vigueur. Si un four encastrable ou n'importe quel autre appareil produisant de la chaleur doit être directement monté sous la surface de cuisson en vitrocéramique, **IL EST NÉCESSAIRE QUE CET APPAREIL (four) ET LA SURFACE DE CUISSON EN VITROCÉRAMIQUE SOIENT CONVENABLEMENT ISOLÉS**, de manière à ce que la chaleur produite par le four, mesurée sur le côté droit du fond de la surface de cuisson, ne dépasse pas 60°C. Le manque de respect de cette précaution pourrait déterminer le fonctionnement erroné du système TOUCH CONTROL.

• Positionnement:

Cet appareil a été conçu pour être encastré dans une table de cuisson (Fig. 1- Dimension du trou). Utilisez un matériau d'étanchéité le long du périmètre (Fig.2). Cette opération est nécessaire pour éviter que des liquides ne pénètrent dans la plaque de cuisson, car il n'est pas possible de garantir la planéité de la plaque, du verre et de leur couplage. Poussez doucement l'appareil dans le trou (Fig.4). Si, après l'installation, la part-

ie inférieure de l'appareil est accessible depuis le dessous du meuble, un panneau d'espacement aux distances indiquées doit être installé (Fig.3).

• Connexion électrique (Fig.8):

L'installation de cet appareil et la connexion au réseau électrique doivent être confiés uniquement à un électricien, qui doit être parfaitement au courant et respecter scrupuleusement les réglementations.

- La protection contre les pièces sous tension doit être assurée après l'installation.
- Les données de connexion nécessaires sont indiquées sur les autocollants de la plaque de cuisson à proximité du boîtier de connexion
- La connexion au secteur doit être effectuée au moyen d'une prise de terre ou au moyen d'un interrupteur omnipolaire avec ouverture de contact d'au moins 3 mm.
- Le circuit électrique doit être séparé du secteur par des dispositifs appropriés, par exemple: disjoncteurs, fusibles ou contacteurs.
- Si l'appareil n'est pas équipé d'une prise accessible, il est nécessaire de prévoir des moyens de déconnexion dans l'installation fixe, conformément aux normes d'installation.
- Le tuyau d'alimentation doit être positionné de manière à ne toucher aucune des parties chaudes de la table de cuisson.

Avertissement !

Ces modèles ne peuvent être connectés qu'aux réseaux suivants :

- Mod. 1PIDC120N: 220-240V~50/60 Hz
380-415 V 2N ~ 50/60 Hz
- Mod. 1PIDC90N: 220-240 V~50/60 Hz
380-415 V 2N ~ 50/60 Hz
- Mod. 1PIDC80N: 220-240 V~50/60 Hz
380-415 V 2N ~ 50/60 Hz
- Mod. 1PIDC60N: 220-240 V~50/60 Hz
380-415 V 2N ~ 50/60 Hz
- Mod. 1PIDC30N: 220-240 V~50/60 Hz

Connectez toujours le fil de terre. Respectez le schéma de connexion.

La boîte de connexion est située en dessous à l'arrière de la couverture de la plaque de cuisson. Pour ouvrir le couvercle, utilisez un tournevis moyen. Placez-le dans les fentes et ouvrez le couvercle.

AVERTISSEMENT !

Assurez-vous que les câbles sont correcte-

ment fixés et serrés.

Nous ne pouvons être tenus pour responsables de tout accident résultant d'une mauvaise connexion ou pouvant résulter de l'utilisation d'un appareil qui n'a pas été mis à la terre ou qui a été équipé d'une connexion à la terre défectueuse.

Matériel conforme à la CEI 61000-3-12

UTILISATION ET ENTRETIEN

• Entretien (Fig.9):

Éliminez les résidus alimentaires et les gouttes de graisse de la plaque de cuisson à l'aide du grattoir spécial fourni sur demande.

Nettoyez la zone chauffée de la meilleure façon possible, en utilisant des produits appropriés et une serviette en papier, puis rincez à l'eau et séchez avec un chiffon propre.

À l'aide du grattoir spécial (en option), retirez rapidement les morceaux de papier d'aluminium et de matière plastique de la surface chauffée, qui pourraient avoir fondu accidentellement, ou les résidus de sucre ou d'aliments et/ou les restes d'aliments sucrés. Cela évite tout dommage éventuel à la surface.

En aucun cas, n'utilisez jamais d'éponges abrasives ou de détergents chimiques irritants, tels que les sprays pour four ou les détergents

• Utilisation :

Utilisez le système de commande tactile dans la position correspondante en fonction de vos besoins de cuisson individuels. Plus le chiffre est élevé, plus de chaleur est produite.

La commande offre une gestion pratique car les sélections sont effectuées en touchant directement sur l'afficheur :

- La sélection active est affichée à haute intensité;
- Les sélections disponibles sont affichées à faible intensité;
- Les sélections non disponibles ne sont pas allumées.

• Fonctions (Fig. 5):

- A** - Allumage/Extinction
- B** - Verrouillage des commandes
- C** - Pause & Recall
- D** - Maintien au chaud
- E** - Fonction Chef
- F** - Régler le minuteur (+/-)
- G** - Minuteur des zones de cuisson
- H** - Slider de puissance

I - Booster

L - Afficheur des zones de cuisson

F - Régler le minuteur

• Allumage / Extinction de la plaque de cuisson:


Appuyez sur la touche A pour allumer la plaque de cuisson et la LED s'allumera. Les niveaux de puissance pour toutes les zones de cuisson sont sur 0 (les affichages des zones de cuisson sont éteints).

La plaque de cuisson s'éteint automatiquement après 20 sec. si tous les niveaux de cuisson sont réglés sur 0 et qu'aucune opération n'est effectuée.

Pour allumer l'appareil, appuyez sur la touche A. Pour des raisons de sécurité, il est toujours possible d'éteindre la plaque de cuisson par la touche ON/OFF.

• Détection de casseroles:

Cette plaque de cuisson est équipée d'un système de contrôle interactif qui la rend très simple et facile à utiliser. Après la mise en marche de la table de cuisson, lorsqu'une casserole est posée sur la surface vitrocéramique, la commande la détecte automatiquement et 0 apparaît sur l'afficheur de la zone de cuisson concernée.

Si vous retirez la casserole de cette zone de cuisson, l'écran affiche le symbole .

• Allumage / extinction des zones de cuisson:

Placez une casserole sur la zone de cuisson souhaitée et appuyez votre doigt sur la zone des touches L. Utilisez le slider (zone H) pour modifier le niveau de puissance de la zone [aller à la position 9 (puissance max.) ou à la position 1 (puissance min.)]. La puissance de chaque zone de cuisson peut être réglée dans 9 positions différentes qui est affichée sur l'afficheur lumineux correspondant avec un chiffre de "1 à 9". Pour éteindre la zone de cuisson, appuyez sur 0 de la zone H, et automatiquement l'afficheur de la zone (L) indiquera 0.

• Booster:

Le booster permet de dissiper plus de puissance pour une zone de cuisson pendant un court intervalle (max. 5 min).

Puisque la fonction Booster peut atteindre des températures élevées, elle ne doit être utilisée que pour les processus de cuisson utilisant de

l'eau. L'huile ou la graisse peuvent s'enflammer si le Booster est utilisé.

Choisissez la zone de cuisson L souhaitée, puis appuyez sur le symbole P de la zone H. Le Booster de la zone de cuisson sélectionnée est actif et l'affichage correspondant indique « P ». Pour supprimer la fonction, sélectionnez un niveau de puissance pour la zone de cuisson actuellement active. La fonction Booster sera désactivée et la zone de cuisson chauffera avec le nouveau niveau de puissance sélectionné.

- **Chaleur résiduelle:**

Si la température d'une zone de cuisson est encore élevée (supérieure à 60°) après avoir été éteinte, l'afficheur relatif à cette zone affiche le symbole «H» (chaleur résiduelle). L'indication disparaît uniquement lorsqu'il n'y a plus de risque de brûlure.

- **Minuteur:**

Il y a 2 types de minuteurs différents. Si plus d'un minuteur est réglé, le minuteur affichera toujours le temps restant le plus bas. Les deux minuteurs peuvent être réglés dans un intervalle de temps de 1 min à 9 h 59 min.

- **Minuteur autonome / Minuteur des zones de cuisson:**

Le **minuteur autonome** se comporte comme un minuteur de cuisine. Pour activer cette fonction, assurez-vous qu'aucune zone de cuisson n'a été sélectionnée, la minuterie affichera «-». Sélectionnez le minuteur dont l'affichage 00 clignotera pendant les 10 secondes suivantes.

Réglez la durée souhaité par +/- et n'effectuez aucune autre action pendant environ 5 secondes. Réglez la durée souhaité par +/- et n'effectuez aucune autre action pendant environ 5 secondes. Le minuteur commence le compte à rebours. En dessous de 10 minutes, l'affichage indique la durée actuelle avec une précision à la seconde. Un bip est émis lorsqu'il atteint 0. Pour modifier la valeur du minuteur Autonome, assurez-vous qu'aucune zone de cuisson n'a été sélectionnée. Puis appuyez sur la touche Minuteur, réglez la nouvelle durée souhaitée et, après 5 secondes, le minuteur commence le compte à rebours de la nouvelle durée réglée. Pour désactiver cette fonction, assurez-vous tout d'abord qu'aucune zone de cuisson n'a été sélectionnée, puis appuyez sur la touche Minuteur. La durée actuelle clignote, réglez le temps du Minuteur sur "000", à ce stade,

la fonction est désactive.

Le **minuteur des zones de cuisson** peut être utilisé pour éteindre automatiquement une zone de cuisson une fois la durée réglée écoulée. Pour activer cette fonction, sélectionnez la zone de cuisson correspondante. Appuyez sur la touche relative au Minuteur G, puis réglez la durée souhaitée par les touches (+/-) ; si aucune action n'est effectuée pendant environ 5 secondes, le minuteur commence le compte à rebours.

Pour modifier la valeur du minuteur de la zone de cuisson, sélectionnez la zone de cuisson correspondante, appuyez sur l'heure et réglez la nouvelle durée souhaitée (+/-), n'effectuez aucune action pendant 5 secondes. Le minuteur commence le compte à rebours de la nouvelle durée réglée. Pour désactiver le Minuteur, réglez la durée de cuisson sur "000".

- **Pause:**

La fonction pause est une fonction permettant de «geler» la plaque de cuisson pendant 10 minutes maximum. La fonction est utile, par exemple, si vous quittez la plaque de cuisson pendant peu de temps. Durant la pause, la fonction est active, aucune zone de cuisson ne dissipe d'énergie et tous les minuteurs (y compris le minuteur autonome) sont suspendus, en plus les fonctions Booster et Réchauffage automatique sont interrompues. Pour activer cette fonction appuyez sur C, tous les afficheurs (zone L) indiquent //. Pour désactiver, appuyez sur C et sur une autre touché arbitraire dans les 10 sec.

- **Recall:**

Cette fonction vous permet de restaurer les niveaux de puissance et les réglages du minuteur après que la plaque de cuisson a été accidentellement éteinte.

Par exemple, si la plaque de cuisson vient d'être éteinte, vous pouvez rallumer la plaque de cuisson par la touche ON / OFF (touche A) dans les 6 secondes. Par la suite, le symbole Pause clignote pendant 6 secondes. Maintenant appuyez sur le symbole Pause (touche C), à ce stade, la fonction Rappel sera active. Tous les niveaux de puissance, le minuteur et les automatiques précédemment réglés sont récupérés.

- **Verrouillage des commandes:**

Il est possible de verrouiller les commandes pendant le fonctionnement de la plaque de cuisson ou en mode veille. Ceci est avantageux lors du


nettoyage car la commande tactile ne peut pas différencier un chiffon humide d'un doigt. Lorsque la plaque de cuisson est allumée, appuyez sur la touche Verrouillage (touche B) pendant 1 seconde : toutes les touches à l'exception de la touche Verrouillage et ON/OFF sont verrouillées. Lorsque le verrouillage des commandes est actif, une tonalité de rejet est émise quand vous appuyez sur les touches éteints (sauf sur On/Off et Verrouillage).

Pour désactiver cette fonction, appuyez à nouveau sur la touche Verrouillage des commandes. La plaque de cuisson peut être utilisée de nouveau régulièrement.


• Sécurité enfants:

Cette fonction est avantageuse pour protéger la plaque de cuisson contre toute utilisation involontaire, par exemple par des enfants. Si elle est verrouillée, la plaque de cuisson peut être allumée, mais aucune zone de cuisson, niveau de puissance ou minuteur ne peut être sélectionné. Pour activer cette fonction, allumez le plaque de cuisson, sélectionnez et maintenez appuyée une zone de cuisson de la zone L pendant 3 secondes, puis faites glisser votre doigt sur la zone H, de 0 à 9. Cette séquence doit être effectuée dans les 10 secondes. L'afficheur indique L pour indiquer la fonction Sécurité Enfants active. Pour désactiver la fonction : Allumez la table de cuisson, maintenez appuyée la zone L pendant 3 secondes, puis faites glisser votre doigt sur la zone H de 9 à 0 en 10 secondes. La fonction Sécurité Enfants est maintenant désactive.

• Fonction pont 'Bridge' (pour les zones octa) :

Le pontage de 2 zones de cuisson est la connexion de 2 zones de cuisson simples, de sorte qu'elles peuvent être contrôlées et se comporteront comme une seule grande zone de cuisson. Cela permet d'utiliser des ustensiles de cuisine qui ont une surface inférieure plus grande qu'une seule zone de cuisson. Pour activer cette fonction, l'utilisateur doit toucher simultanément les deux zones de cuisson (zone L), de cette façon les zones de cuisson sont reliées et un écran affiche , et l'autre le niveau de puissance. Pour désactiver le pont, l'utilisateur doit toucher simultanément les deux zones de cuisson. De cette façon, les zones de cuisson sont à nouveau divisées en 2 zones distinctes.

• Préchauffage automatique:

Le préchauffage automatique est une fonction qui vous permet de chauffer une poêle froide à la puissance maximale et de revenir automatiquement au niveau de puissance souhaité. La durée pendant laquelle la zone de cuisson fonctionne en pleine puissance dépend du niveau de puissance sélectionné. Pour activer le préchauffage automatique, appuyez sur la touche du niveau de puissance souhaité (zone H) pendant au moins 3 sec., et l'écran affichera ce symbole: . Pour désactiver cette fonction, appuyez sur la touche de la zone de cuisson (zone L) pendant 3 secondes ou sur un autre niveau de puissance.

Niveau de puissance	Préchauffage automatique (sec.)
1	48
2	144
3	230
4	312
5	408
6	120
7	168
8	216
9	No disponible
P	No disponible

• Fonction Chef Cook:

La fonction Chef Cook active 3 zones de cuisson avec différentes niveaux de puissance. En commençant de gauche à droite. Pour activer la fonction, appuyez sur la touche de la fonction Chef Cook. Pour la désactiver, appuyez de nouveau sur la touche Chef Cook. Les niveaux de puissance de toutes les zones de cuisson sont réglés sur 0. Les niveaux de puissance suivants sont réglés et dissipés dès qu'un récipient approprié est placé sur une zone de cuisson :

Nombre des zones de cuisson	Niveau de puissance
2	2
1	6
4	9

• Fonction Maintien au chaud:

Cette fonction est utilisée pour garder au chaud vos aliments cuits. Le niveau de puissance est compris entre 0 et 1. Pour activer la fonction Maintien au chaud, sélectionnez la zone (zone L) et appuyez sur la touche D. L'afficheur indique :



• Gestion énergétique:

La plaque de cuisson soutient la gestion de l'alimentation pour éviter de surcharger la connexion au réseau. La gestion de la puissance est prioritaire : La zone de cuisson dont la puissance de chauffe a finalement augmenté obtiendra la puissance de chauffe souhaitée et l'autre zone de cuisson sera réduite. La réduction de puissance est signalée par le clignotement de la touche OFF du niveau de puissance (zone L) et sa puissance sera réduite.

• Réglage de puissance:

La puissance de la table de cuisson peut être réglée d'un maximum (7.4 kW / 6.7 kW / 3.7

kW) jusqu'à un minimum de 1.4 kW, par un step de 100w (0,1 kW), à partir du menu Utilisateur. Le menu utilisateur est destiné au client, pour l'adapter à ses besoins personnels. Pour accéder au menu utilisateur, la commande doit être en mode veille, appuyez sur ON / OFF (touche A) pour activer la commande tactile. Appuyez ensuite à nouveau sur la commande MARCHÉ / ARRÊT (touche A) dans les 3 secondes. À ce stade, la led de la fonction «spéciale» (touche B) de la touche apparaîtra. La commande (B) sera active pendant 60 secondes maximum, après quoi vous quitterez automatiquement le menu. En appuyant, dans ces 60 secondes, et en maintenant la touche B enfoncée, les LED des zones de cuisson (zone L) apparaissent; à ce stade, l'utilisateur doit appuyer sur les zones de cuisson (zone L) dans le sens des aiguilles d'une montre; maintenant, à travers le curseur (zone H), vous pouvez choisir comment définir le sol. Pour le confirmer, appuyez simplement sur la touche OFF (A).

Le tableau suivant décrit les éléments de menu Utilisateur implémentés:

Voix	Définition	Variable	Valeur	Remarque
U0	Puissance max. pour conducteur de ligne	Oui	2.4 ... 5	Réglage maximum admissible par conducteur de ligne. La puissance maximale est définie dans le menu de service et peut être progressivement réduite de 0,1 kW à la puissance minimale.
U1	Réglage du filtre	Oui	0,1,2	Modifications du filtre: 0 - 150h (default); 1 - 300 h; 2 - 400 h;
U2	Volumen del sonido de las teclas	Oui	0...3	<ul style="list-style-type: none"> Ajuste del volumen del sonido de las teclas 0: ningún sonido de las teclas <ul style="list-style-type: none"> 1 min. volumen 2: mitad volumen 3: máx. Volumen <ul style="list-style-type: none"> Apuntes: Por motivos normativos, el sonido de las teclas para el encendido y el apagado no se pueden desactivar, se escucharán con el volume configurado por última vez antes de que el sonido se haya desactivado. Los sonidos de error se escucharán con el máximo del volumen (configuración 3) y no se pueden desactivar.
U3	Volume de la tonalité des signaux	Oui	0...3	Réglage du volume des tonalités de signal (ex: lorsque le temps est écoulé) 0: volume min 3: volume max

Voix	Définition	Variable	Valeur	Remarque
U4	Luminosité de l'écran	Oui	0...9	Réglage de la luminosité de l'écran: 0: luminosité max 9: luminosité min
U5	Animation du Minuteur	Oui	0...1	0: No Timer animation 1: Le minuteur s'active 10 minutes avant l'aspiration
U7	Temps Minuteur écoulé	Oui	0...2	0: Signal sonore pendant 120 secondes 1: Signal sonore pendant 10 secondes 2: Aucun signal sonore

• Extinction de sécurité:

L'extinction de sécurité est une fonction dont l'appareil est équipé. Les zones de cuisson allumées, après un certain temps, s'éteignent automatiquement, sans que l'utilisateur n'ait à le faire. Le temps après lequel la zone de cuisson est désactivée est indiqué dans le tableau ci-dessous. Chaque opération effectuée par l'utilisateur sur la zone de cuisson réinitialise ce délai de temps.

Niveau de cuisson	Temps de fonctionnement max. (h)
Niveau de préchauffage 1	2
1	6
2	6
3	5
4	5
5	4
6	1.5
7	1.5
8	1.5
9	1.5
P	5 min.

CONSEILS EN MATIÈRE D'ÉCONOMIE D'ÉNERGIE

- Utilisez un couvercle autant que possible pour minimiser les pertes de chaleur.
- Sélectionnez une casserole plus petite lors de la cuisson de petites quantités. Une casserole plus petite consomme moins d'énergie qu'une casserole plus grande avec très peu à son intérieur.
- Faites cuire avec le moins d'eau possible.
- Lorsque les aliments sont à ébullition ou lorsque l'huile dans le récipient est suffisamment chaude pour les fritures, réduisez le feu à un niveau plus bas.
- Utilisez une cocotte-minute pour réduire les temps de cuisson.

DÉCHETS D'ÉQUIPEMENTS ÉLECTRIQUES ET ÉLECTRONIQUES



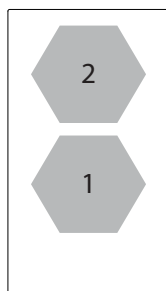
Cet appareil est marqué conformément à la Directive européenne 2002/96/CE relative aux déchets d'équipements électriques et électroniques (DEEE). En veillant à une élimination correcte de ce produit, vous contribuez à éviter les conséquences néfastes potentielles pour l'environnement et pour la santé humaine qui pourraient résulter d'un traitement inadéquat des déchets de ce produit. Le symbole figurant sur le produit ou sur les documents qui l'accompagnent indique que ce produit ne doit pas être traité comme un déchet ménager. Pour plus d'informations, contactez le service de collecte des ordures ménagères ou votre vendeur.

AUCUNE RESPONSABILITÉ N'EST ASSUMÉE POUR TOUT DOMMAGE CAUSÉ PAR LE NON RESPECT DES AVERTISSEMENTS PRÉCÉDENTS.
LA GARANTIE N'EST PAS VALIDE EN CAS DE DOMMAGES RÉSULTANT D'UN NON-RESPECT DES AVERTISSEMENTS PRÉCÉDENTS.

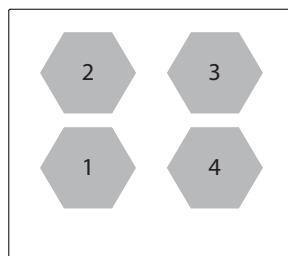
Informations pour les plaques de cuisson électriques à usage domestique

En accord avec la réglementation (EU) N° 66/2014

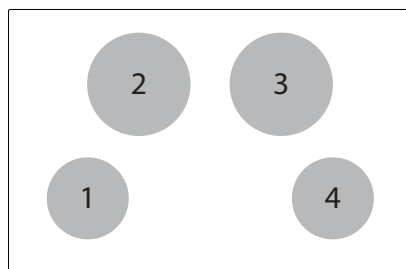
Modèle	1PIDC30N	1PIDC60N	1PIDC80N	1PIDC90N	1PIDC120N
Type de plaque	built-in	built-in	built-in	built-in	built-in
N° zones de cuisson	2	4	4	3	4
Technologie de chauffage Zones de cuisson à induction et secteur de cuisson, zones de cuisson radiantes	1. = Induction 2. = Induction	1. = Induction 2. = Induction 3. = Induction 4. = Induction	1. = Induction 2. = Induction 3. = Induction 4. = Induction	1. = Induction 2. = Induction 3. = Induction	1. = Induction 2. = Induction 3. = Induction 4. = Induction
Pour toutes les zones circulaires : diamètre de la surface utile de la zone de cuisson. Pour les zones et le secteur de cuisson non circulaires : longueur et largeur de la surface utile par zone ou secteur de cuisson électrique mm	1. = Octa 2. = Octa	1. = Octa 2. = Octa 3. = Octa 4. = Octa	1. = Ø 160 2. = Ø 200 3. = Ø 200 4. = Ø 160	1. = Octa 2. = Octa 3. = Ø 200	1. = Octa 2. = Octa 3. = Octa 4. = Octa
Consommation énergétique par zone ou secteur de cuisson calculée par Kg (EC _{electric cooking}) Wh/Kg	1. = 189,7 2. = 189,7	1. = 189,7 2. = 189,7 3. = 189,7 4. = 189,7	1. = 179 2. = 193,3 3. = 193,3 4. = 179	1. = 189,7 2. = 189,7 3. = 193,3	1. = 189,7 2. = 189,7 3. = 189,7 4. = 189,7
Consommation énergétique de la plaque de cuisson calculée par kg (EC _{electric cooking}) Wh/Kg	189,7	189,7	186,1	190,9	189,7



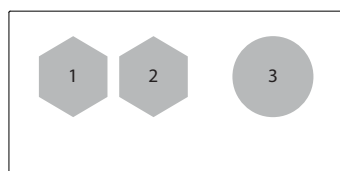
1PIDC30N



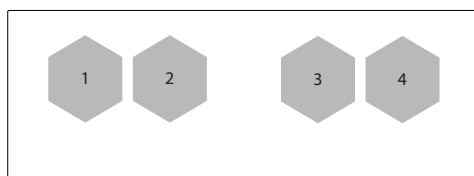
1PIDC60N



1PIDC80N



1PIDC90N



1PIDC120N

• Code Erreur:

Code Erreur	Signification	Quoi faire	Causes possibles	Remède
E2	Capteur de surchauffe de la température de la zone de cuisson	La zone de cuisson correspondante est éteinte	Récipients vides	Ne chauffez pas de casseroles vides
			Récipients inadéquats	Utilisez des récipients adéquats
			Température trop élevée du récipient ou de la plaque de cuisson. Température de l'électronique trop élevée	Système de refroidissement
E3	Récipient inadéquat	La/les zone(s) de cuisson correspondante(s) est/sont éteinte(s)	Le récipient a perdu ses caractéristiques magnétiques	Utilisez des récipients adéquats
			Erreur interne dans le circuit du générateur	Contactez le service technique
			Le récipient crée un mauvais point de fonctionnement sur le module qui peut détruire les appareils (par ex. IGBT)	1. L'erreur est supprimée automatiquement après 8 sec. et la zone de cuisson peut être réutilisée. En cas d'erreurs supplémentaires, changez les récipients. 2. Contactez le service technique.
E4	Erreur de configuration	La zone de cuisson ne peut pas être allumée	Le module à induction n'a pas été configuré	Contactez le service technique
			Erreur des données de configuration du module à induction	Réinitialisez et puis reconfigurez la zone de cuisson. Contactez le service technique
E5	Absence de communication entre l'interface d'utilisateur et le générateur d'induction	La zone de cuisson ne peut pas être allumée	Le câblage LIN ou celui d'alimentation est défectueux (par ex., absence du conducteur de ligne)	Contactez le service technique
			Absence de tension de réseau	Contactez le service technique
			Erreur interne dans les circuits du générateur ou du filtre	Contactez le service technique
			(Version mixte) Hilight Relay Voltage Erreur-Défaut du hardware	Contactez le service technique
			Données de configuration des erreurs	Contactez le service technique

E6	La tension d'alimentation est hors de portée (voltage et/ou fréquence)	La zone de cuisson ne peut pas être allumée	Tension d'alimentation hors de portée (voir données techniques pour tout détail)	Contactez le service technique
			Problèmes de signal de phase de la tension de réseau ou fréquence de réseau	Contactez le service technique
			Erreur interne des circuits du générateur	Contactez le service technique
E7	Erreur interne	Les zones de cuisson sont éteintes	-	Contactez le service technique
E8	Dysfonctionnement du ventilateur	La zone de cuisson correspondante est éteinte	Ventilateur bloqué par de la poussière ou des tissus	Nettoyer et éliminer les corps étrangers
			Ventilateur ou modules électroniques défectueux	Contactez le service technique
E9	Erreur interne	Les zones de cuisson sont éteintes	La ligne du capteur de température de la zone de cuisson est ouverte ou en court-circuit	Contactez le service technique
EA	Erreur du capteur de température de la zone de cuisson	Les zones de cuisson correspondantes sont éteintes	-	Contactez le service technique
			Erreur Flash code de contrôle	Contactez le service technique
			IGBT – même le courant au minimum est trop élevé	Contactez le service technique
			Capteur du dissipateur thermique cassé ou en court-circuit	Contactez le service technique
			EEPROM- Erreur données	Contactez le service technique
			Erreur de sélection de la bobine, inducteur défectueux ou inducteur erroné	1. Rebrancher 2. Contactez le service technique
			MCU réglage du registre interne	Contactez le service technique
			Tension d'alimentation hors portée	Contactez le service technique
			ADC échec test de démarrage ADC voltage bande invalide	Contactez le service technique
Signal de contrôle condensateur erroné Dispositif hardware défectueux	Contactez le service technique			

EH	Capteur de température de la zone de cuisson en panne	La zone de cuisson correspondante est éteinte	Écart de température Insuffisante après la mise en marche de la plaque de cuisson	Faire refroidir la plaque de cuisson
			Aucune variation de température (min. 10 K /5 min) après la cuisson	Contactez le service technique
ER03	Activation détectée de la clé en continue	La table de cuisson s'éteint au bout de 10 secondes.	Eau ou récipients sur le SmartKiis de TC	Essayez ou enlevez les récipients de la plaque de cuisson
ER20	Erreur interne à l'intérieur du TC	La plaque de cuisson s'éteint.	-	Contactez le service technique
ER21	Dépassement température	La plaque de cuisson s'éteint	Le capteur de la température du TC a indiqué une température > 85°C	Faire refroidir la plaque de cuisson (l'erreur s'efface quand la température est <75°C). Contactez le service technique.
ER22	Erreur interne à l'intérieur TC	La plaque de cuisson s'éteint après 3,5 - 7,5 secondes	-	Contactez le service technique
ER31	La configuration du Touch Control et de l'induction sont inconséquents	ER31 s'affiche en continue.	Les données de configuration du générateur à induction différent de la configuration à l'intérieur du TC	Téléchargez la configuration. Si l'erreur persiste, remplacez le TC. Si l'erreur persiste encore, contactez le support technique.
ER36	Erreur interne du TC	La plaque de cuisson s'éteint	-	Remplacez le TC
ER42	Alimentation secondaire inadéquate	12V ou 5V trop élevée / trop faible		
ER47	Aucune communication même pas avec LIN	ER47 s'affiche en continue	Câble LIN endommagé. Aucune alimentation de tension au réseau LIN. Réseau LIN défectueux	Contactez le service technique

BARAZZA
taste of design

Barazza srl

31025 Sarano di S.Lucia di Piave (TV) ITALIA

Via Risorgimento, 14

info@barazzasrl.it

www.barazzasrl.it

21/12/2022

3PCLIOB4K0BZ.2