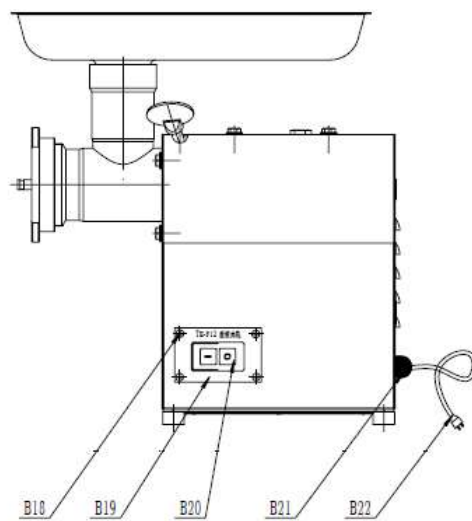
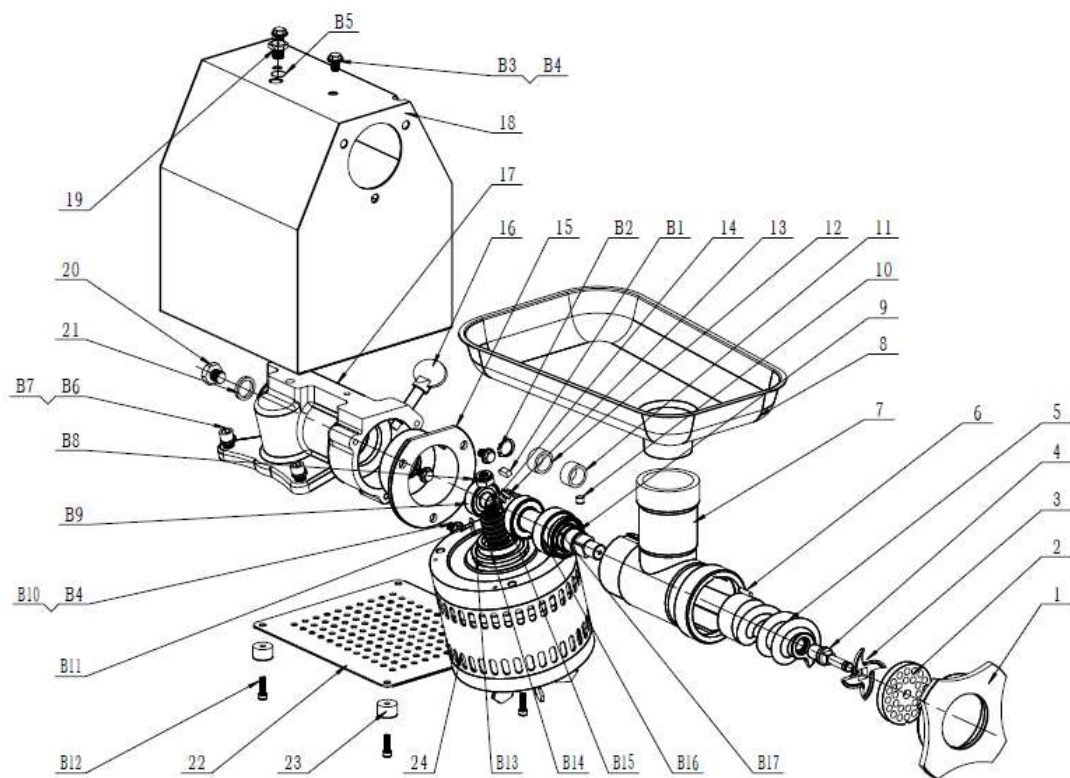


МЯСОРУБКА HURAKAN HKN-12SS (с 2020)


**МЯСОРУБКА HURAKAN HKN-12SS (с 2020)**

Поз	Наименование детали	Кол
1	Door cover	1
2	Orifice	1
3	Cross blade	1
4	Cage small shaft	1
5	Twisted cage	1
6	Orifice positioning pin	1
7	Tee	1
8	Meat plate (inline type)	1
9	Output shaft	1
10	Gearbox and tee positioning pin	1
11	Long sleeve	1
12	Short sleeve	1
13	Copper worm gear	1
14	Worm	1
15	bushing	1
16	Three-way locking bolt	1
17	Gearbox	1
18	cabinet	1
19	M12 hexagon head oil hole bolt	1
20	M14 hexagon head bolts	1
21	M14 hexagon head bolt paper pad	1
22	Plastic floor	1
23	Plastic feet	4
24	Motor (copper wire)	1
B1	Flat key (Type A)	1
B2	Circlip for shaft	1
B3	Hex head bolt-full thread	2
B4	Flat Washers	5
B5	O-ring	1
B6	Socket head cap screws	3
B7	Standard type spring washer 10	3
B8	Hex lock nut	1
B9	Deep groove ball bearings 6203-RZ	1
B10	Hex head bolt-full thread	3
B11	Flat key (Type A)	1
B12	Socket head cap screws	4
B13	Motor back cover O-ring	1
B14	FB oil seal	1
B15	Deep groove ball bearings 6204-RZ	1
B16	Deep groove ball bearings 6205-RZ	1
B17	Oil seal	1
B18	Cross recessed pan head screws H type	4
B19	Signage	1
B20	Rocker switch	1
B21	Cable screw connector	1
B22	power cable	1