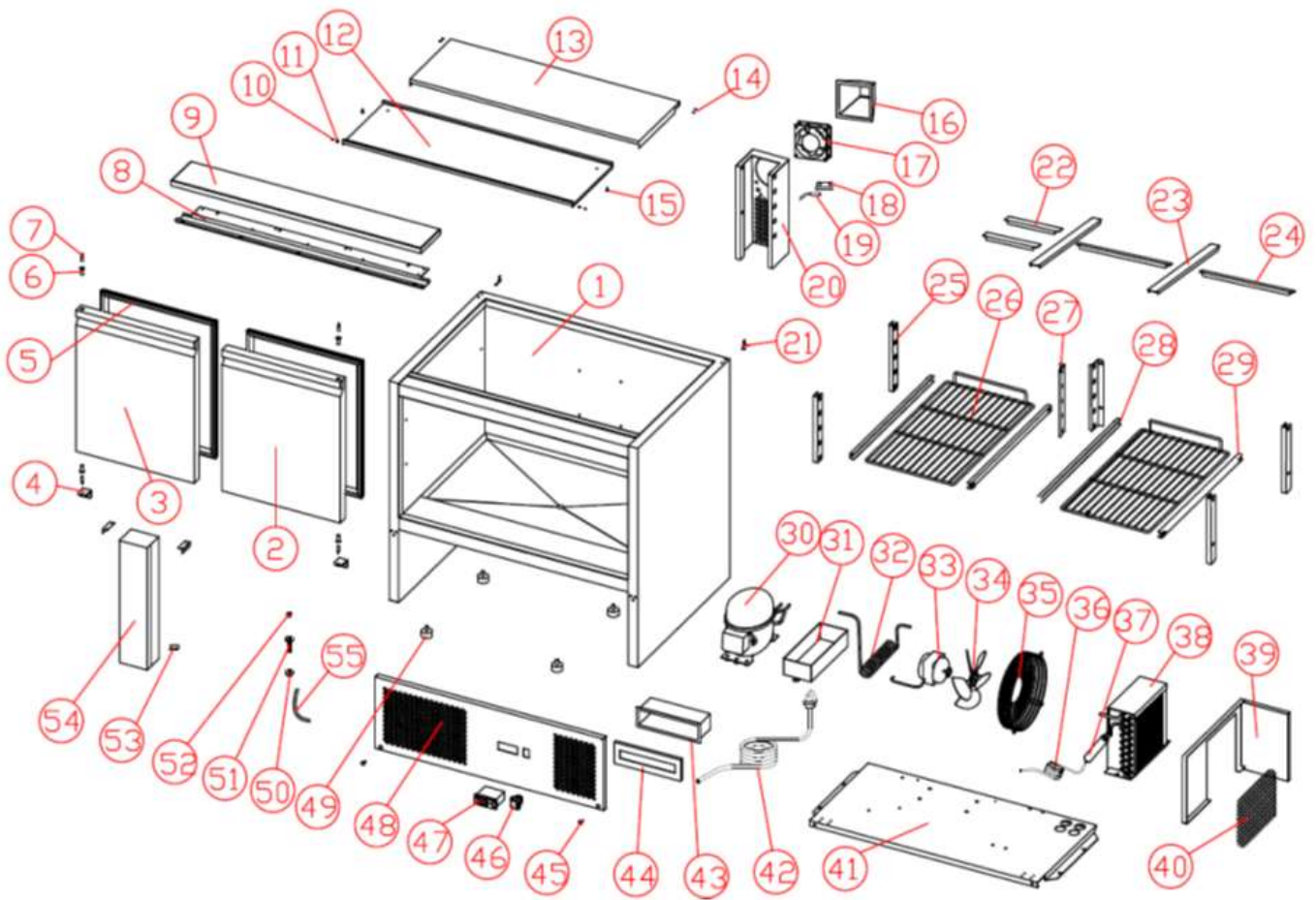


СТОЛ ДЛЯ САЛАТОВ HURAKAN HKN-SL2



**СТОЛ ДЛЯ САЛАТОВ HURAKAN HKN-SL2**

Поз	Наименование детали	Кол
1	cabinet	1
2	door(right)	1
3	door(left)	1
4	bottom hinge	2
5	door gasket	2
6	door axis sleeve	4
7	hinge axis	4
8	upper hinge	1
9	cutting board	1
10	roller draft	2
11	roller	2
12	flexible cover	1
13	fixed cover	1
14	cover axis	4
15	small plastic button	2
16	air guide cover	1
17	eva. Fan	1
18	probe cover	1
19	probe	1
20	fan base	1
21	hinge axis base	2
22	short cachepot	2
23	long cachepot	2
24	midium cachepot	2
25	beam hang strip	4
26	shelf	2
27	rear hang strip	2
28	left shelf guide	2
29	right shelf guide	2
30	compressor	1
31	outer drain pan	1
32	high pressure pipe	1
33	cond. Fan motor	1
34	cond. Fan blade	1
35	cond.fan cover	1
36	capillary	1
37	dryer filter	1
38	condenser	1
39	wind cover	1
40	dryer filter	1
41	cooling unit board	1
42	power cord	1
43	plastic water-proof box	1
44	plastic water-proof box cover	1
45	large plastic button	2
46	power switch	1
47	controller	1
48	panel	1
49	feet	4
50	drain-pipe but	1
51	drain-pipe	1
52	water plug	1
53	middle beam connect	3
54	middle beam	1
55	PVC drain-pipe	1