



ADDRESS: Cumhuriyet Mah. Eski Hadımköy Yolu  
No:29/A Büyükçekmece İstanbul/TÜRKİYE

www.oztiryakiler.com.tr

Fax: 0090 212 886 66 29

Fax: 0090 212 886 66 29

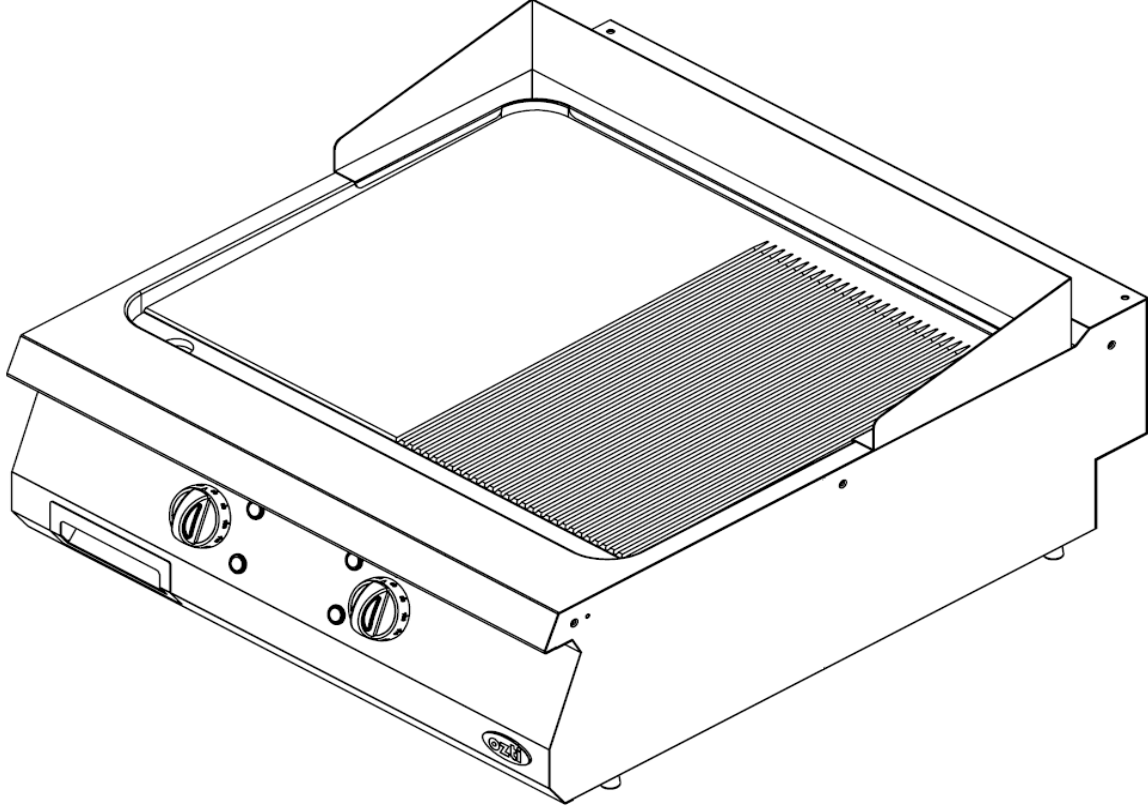
Serie: 900

Type: ELECTRICAL

Appliance Name: GRILL PLATE

Model: OGE 8090 1/2 N

Code: 7864.N1.80903.14



- 2 mm. stainless steel worktop.
- Construction in stainless steel.
- 742\*584\*12 mm ST 52 steel cooking surface.
- Side panels to prevent splashing.
- Large drain hole for draining fat into collector.
- Separately controlling cooking surfaces.
- Adjustable and homogenous cooking surface (50-300 °C).
- Cooking capacity for Ø100 hamburger 40 kg/hr
- Adjustable legs.
- Hard Chrome coated.(Optional).

• 1/2

- Heating
- Cooking time 6 min.





ADDRESS: Cumhuriyet Mah. Eski Hadımköy Yolu  
No:29/A Büyükçekmece İstanbul/TÜRKİYE

www.oztiryakiler.com.tr

Telephone: 0090 212 886 78 00

Fax: 0090 212 886 66 29

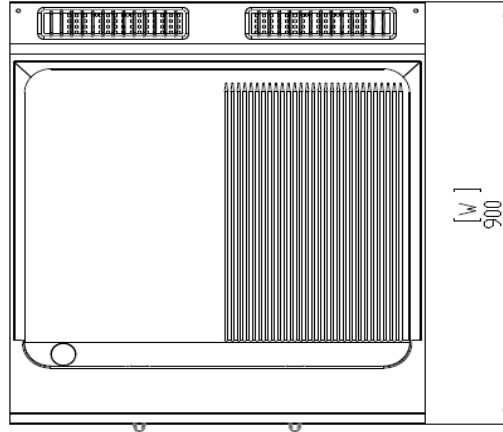
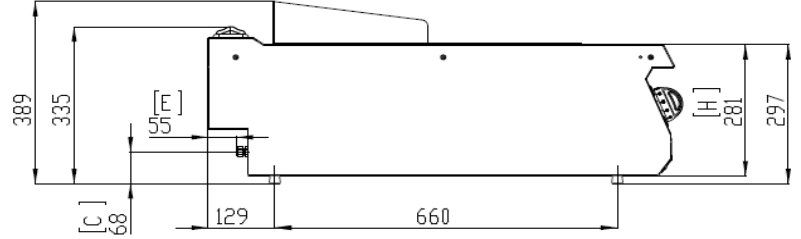
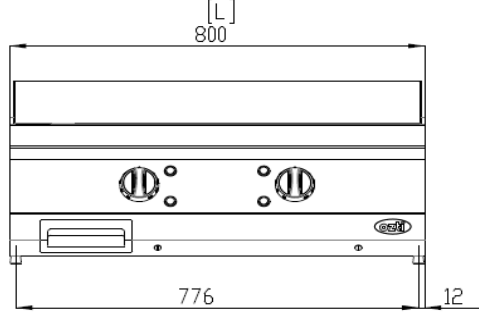
Serie: 900

Type: ELECTRICAL

Appliance Name: GRILL PLATE

Model: OGE 8090 1/2 N

Code: 7864.N1.80903.14



ELECTRICAL CONNECTION

MODEL	CODE	TYPE	L (mm.)	W (mm.)	H (mm.)	POWER (KW.)	TOTAL POWER (KW.)	TEMPERATURE (°C)
OGE 8090 1/2 N	7864.N1.80903.14	ELECTRICAL	800	900	280	6X2	12	50-300

