



ADDRESS: Cumhuriyet Mah. Eski Hadımköy Yolu
No:29/A Büyükçekmece İstanbul/TÜRKİYE

www.oztiryakiler.com.tr

Fax: 0090 212 886 66 29

Fax: 0090 212 886 66 29

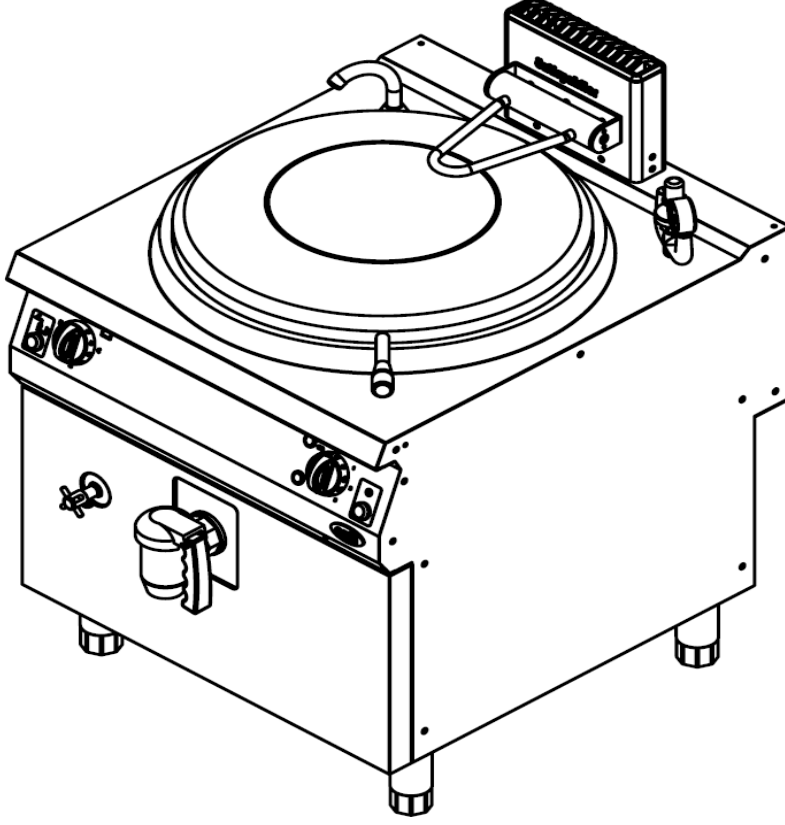
Serie: 900

Type: ELECTRICAL

Appliance Name: INDIRECT BOILING PAN

Model: OTEI 100

Code: 7855.N1.80908.04



- 2 mm. stainless steel worktop.
- Construction in stainless steel.
- Indirect heating internal monoblock tank.
- 316 AISI Stainless steel double jacket vessel.
- Round bowl is suitable to cook.
- 110 °C saturated steam in the jacket.
- Manometer allows controlling the function of the boiling pan.
- Selenid valve to fill hot and cold water.
- Cover with arc mechanism.
- Discharge tap is 2 "(Ø).And easy to clean
- Pressure gauge.
- Provided with taps controlling the jacket water level.
- Safety thermostat.
- Jacket pressure safety valve.
- Kettle include high quality thermal isolation for saving energy.
- Adjustable legs.





ADDRESS: Cumhuriyet Mah. Eski Hadımköy Yolu
No:29/A Büyükçekmece İstanbul/TÜRKİYE

www.oztiryakiler.com.tr

Telephone: 0090 212 886 78 00

Fax: 0090 212 886 66 29

Serie: 900

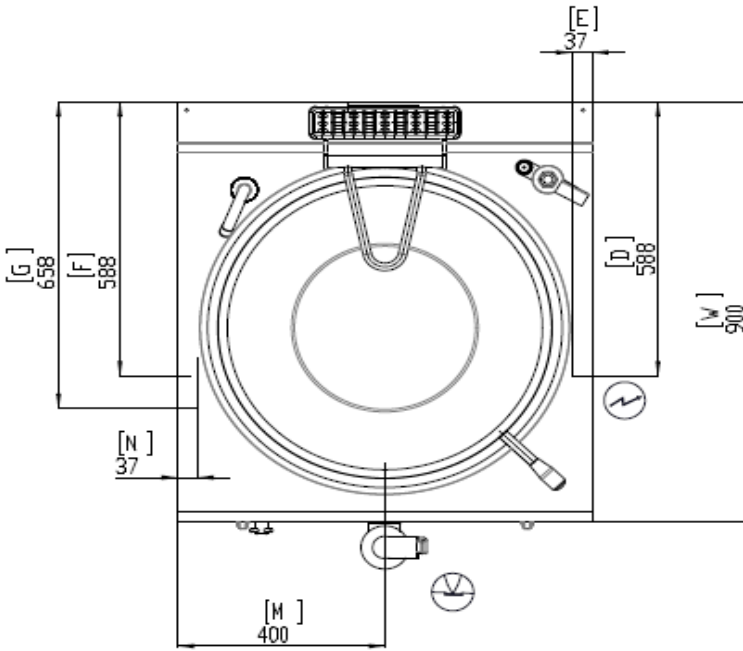
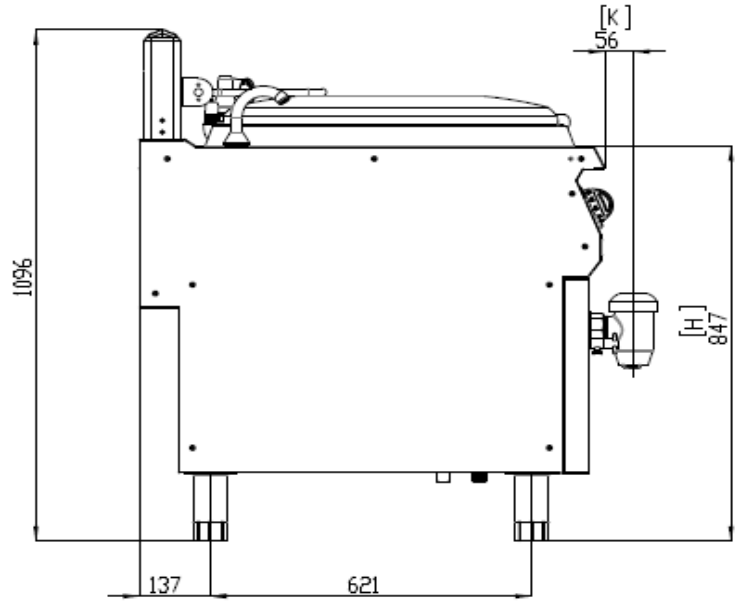
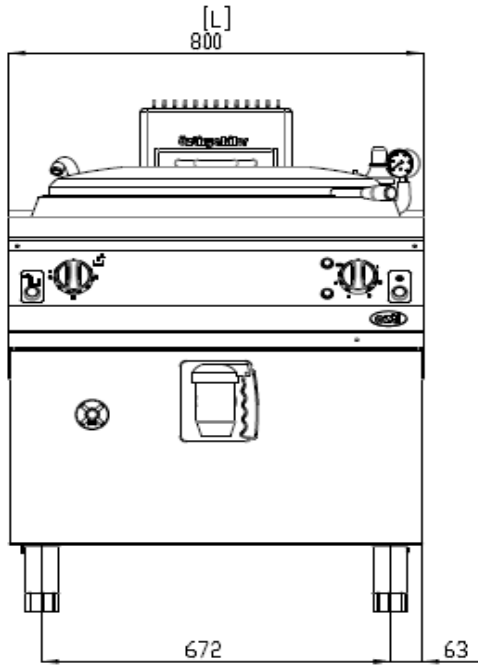
Type: ELECTRICAL

Appliance Name: INDIRECT BOILING PAN

Model: OTEI 100

Code: 7855.N1.80908.04

OTEI 100



 ELECTRICAL CONNECTION

 DRAIN

MODEL	CODE	TYPE	L (mm.)	W (mm.)	H (mm.)	POWER (KW.)	TOTAL POWER (KW.)	CAPACITY (LT.)
OTEI 100	7855.N1.80908.04	ELECTRICAL	800	900	850	2x98 KW	18	100

