



ADDRESS: Cumhuriyet Mah. Eski Hadımköy Yolu
No:29/A Büyükçekmece İstanbul/TÜRKİYE

www.oztiryakiler.com.tr

Fax: 0090 212 886 66 29

Fax: 0090 212 886 66 29

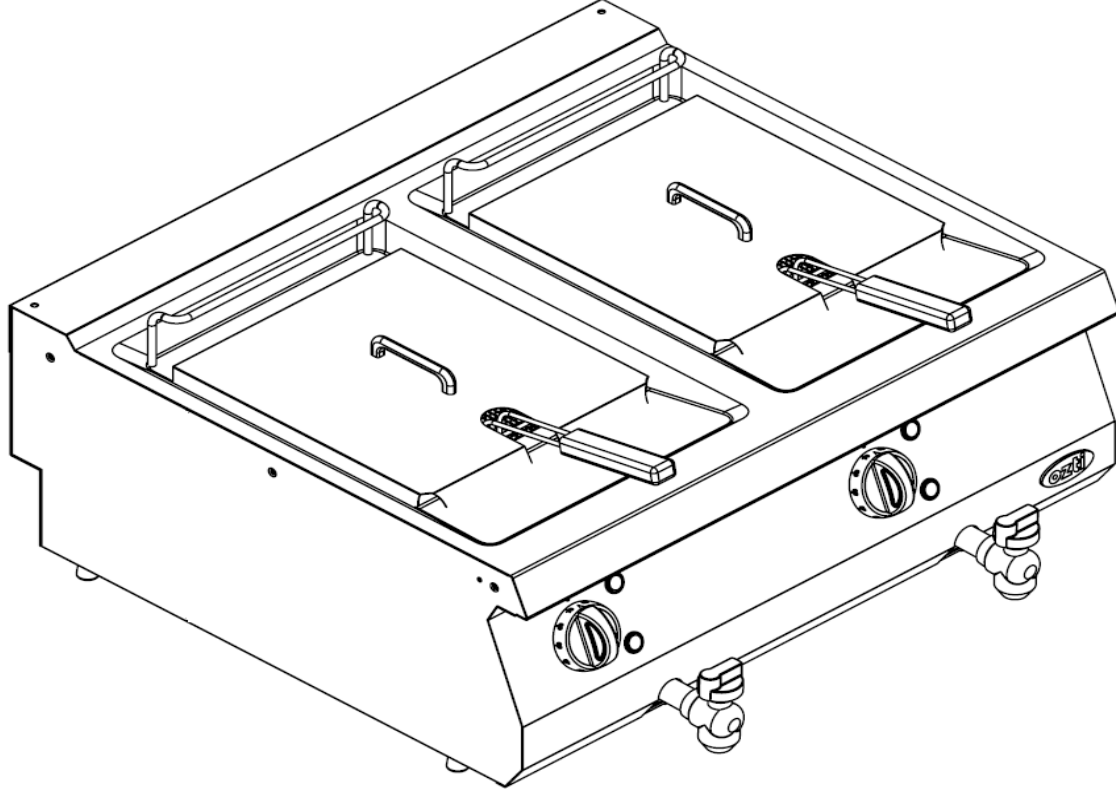
Serie: 700

Type: ELECTRICAL

Appliance Name: FRYER

Model: OFEI 8070

Code: 7856.N1.80703.11



- 1,5 mm. stainless steel worktop.
- Construction in stainless steel.
- Frying bowl is monoblock.
- Major parts located in front of unit for easy maintenance.
- High efficiency heating elements are made of stainless steel.
- Temperature can be adjusted between 60-190°C.
- Limit thermostat is available.
- Different cooking times and temperatures are available with electronic control system.
- Oil drain through a tap.
- Feet are made of stainless steel and the height can be adjustable.
- 2 fryer baskets are standard accesories.
- 2x12 Lt. Oil capacity.(Each bowl 12 Lt.).
- Frying time 3-3,5 min.
- Production Capacity: 22+22=44 Kg/hr.(Each bowl 22 Kg/hr.).





ADDRESS: Cumhuriyet Mah. Eski Hadımköy Yolu
No:29/A Büyükçekmece İstanbul/TÜRKİYE

www.oztiryakiler.com.tr

Telephone: 0090 212 886 78 00

Fax: 0090 212 886 66 29

Serie: 700

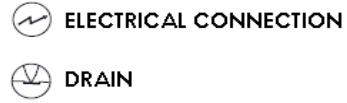
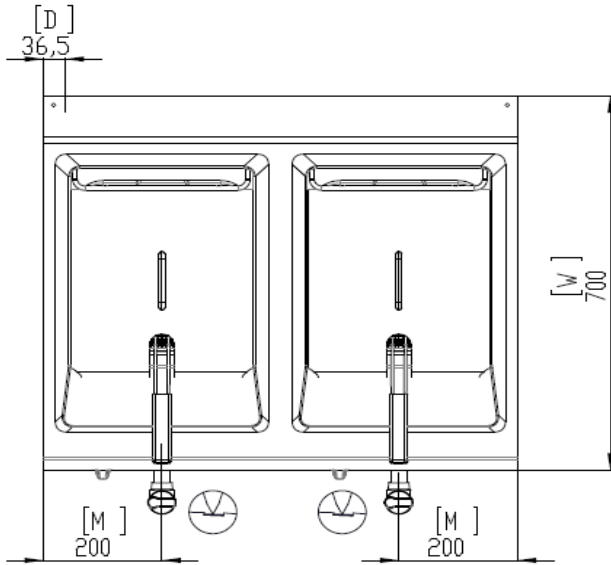
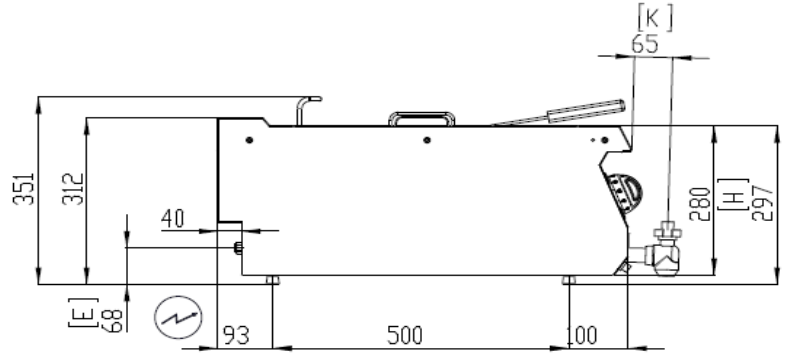
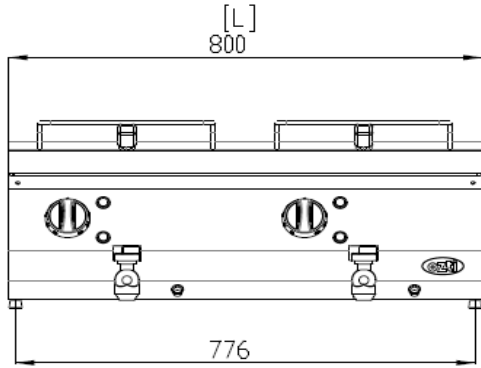
Type: ELECTRICAL

Appliance Name: FRYER

Model: OFEI 8070

Code: 7856.N1.480703.11

OFEI 8070



MODEL	CODE	TYPE	L (mm.)	W (mm.)	H (mm.)	POWER (KW.)	TOTAL POWER (KW.)	TEMPERATURE (°C)
OFEI 8070	7856.N1.80703.11	ELECTRICAL	800	700	280	2x11	22	60-190

