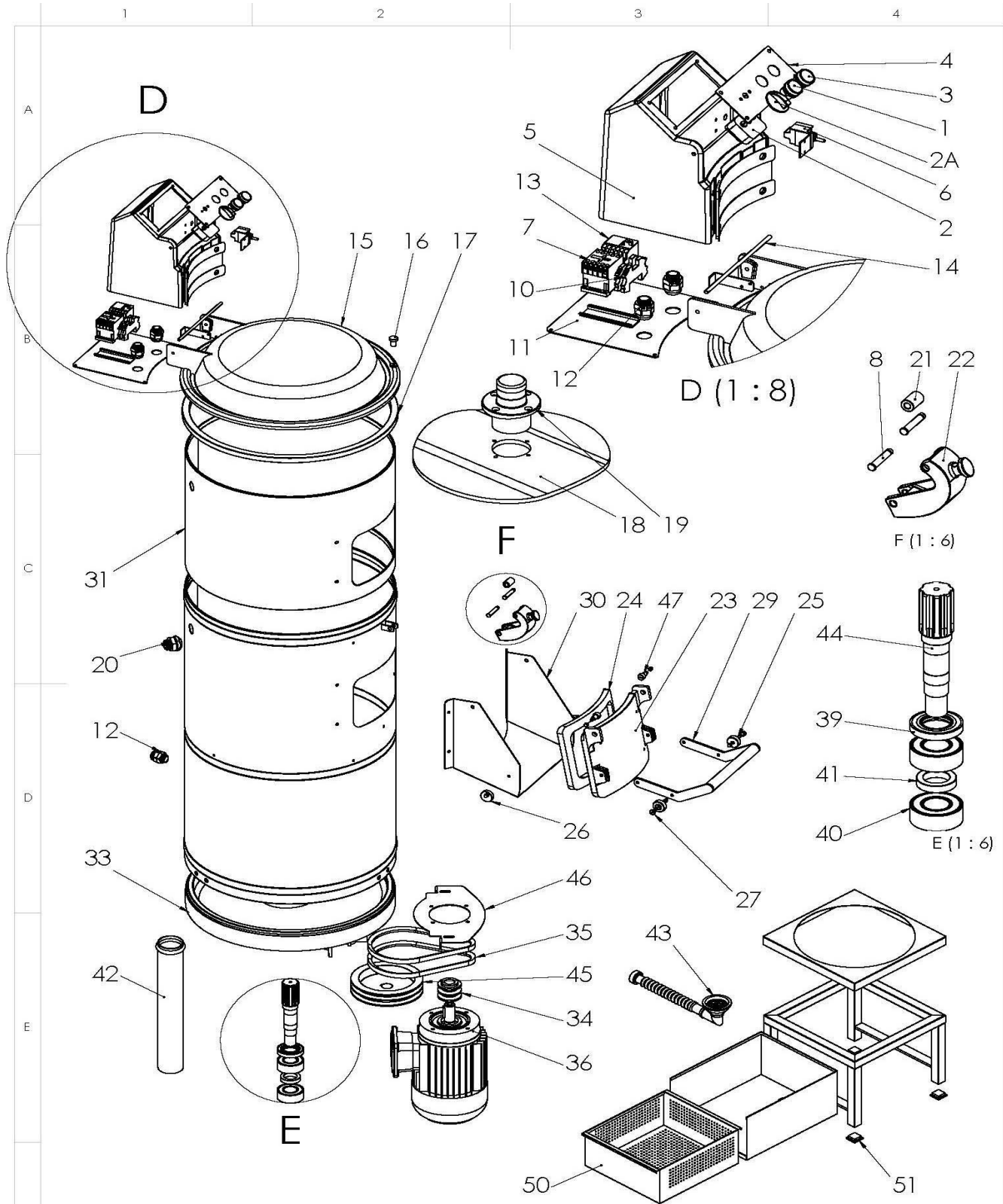




## SPARE PART LIST

Spare Part ItemCode	Item name.	PictureId	Price.	Curr.
2840.00030.12	PSM 30-20 KG PALSTIC DISC HANDLE			
6606.00001.06	ZAMAN SAATI DUGMESI DIEL 4 DK			
6232.00010.31	BUTTON STOP AA42 SMCX	1		
6248.00009.00	TERMINAL STRIPS WGT-4 (EARTH)	10		
2840.00010.52	CONTROL PANEL LOWER PLATE FOR PSM10-20-30	11		
6259.00003.044	CABLE GLAND PG 16	12		
6233.00016.13	THERMIC RELAY 4-6 (ZE-6) MOELLER(MINI)	13		
2KLP.460.00060213.9.01	COVER MOUNTING SHAFT FOR PSM10/20/30KG	14		
2840.00030.11	PLEXIGLASS COVER FOR PSM 30	15		
2840.00030.03	PEELER DISC FOR PSM30	18		
6259.00002.00	TIMER 0-4	2		
6261.00013.23	PLASTIC WATER SPRAY FOR PSM10-20-30KG	20		
2KLP.460.10018035.9.01	SECURING PULLEY FOR PSM10-20-30KG (Q18x35mm)	21		
2840.00010.49	COVER SECURING PART FOR PSM10-20-30KG	22		
6261.00013.28	FRONT COVER FOR PSM20-30KG	23		
6261.00013.30	FRONT COVER GASKET FOR PSM30 KG	24		
2KLP.460.10030012.9.01	ARM PULLEY FOR PSM 10-20-30KG	25		
2KLP.460.10030010.9.01	FRONT COVER PULLEY FOR PSM10-20-30KG STAINLESSSTEEL	26		
2KLP.460.30012023.9.01	STAY BOLTS OF ARM PULLEY FOR PSM 10-20-30KG	27		
2840.00030.09	FRONT COVER ARM FOR PSM20-30KG	29		
6232.00010.32	BUTTON START AA31 SMCX	3		
2840.00030.07	FRONT COVER GUIDE FOR PSM30 KG	30		
2840.00030.23	BOWL FOR PSM30	31		
2KLP.460.03850086.9.02	PLASTIC MIDDLE PART FOR MOTOR FIXING OF PSM30	33		
2840.00030.15	MOTOR PULLEY FOR PSM30	34		
6263.00001.05	V BELT 13*700	35		
6228.00011.11	OIL SEAL 35*62*10	39		
2840.00010.50	CONTROL PANEL PLATE FOR PSM10-20-30KG	4		
6211.00240.06	BEARING 3206 2RS ORS	40		
2KLP.460.20400026.9.01	DISTANCE PART OF BEARING FOR PSM20-30KG	41		
6261.00013.24	FILTER DRAIN PIPE Q100	43		
2840.F0030.17	SHAFT FOR PSM30	44		
2840.00030.16	PULLEY FOR PSM30	45		
2840.00030.18	MOTOR FIXING FLANGE FOR PSM30	46		
2KLP.460.20130023.9.01	FRONT COVER STAY BOLT FOR PSM 20-30KG	47		
2840.00010.51	CONTROL BOX FOR PSM10-20-30KG	5		
6261.00011.00	PLASTIC PART OF OM10 MIXER BASE	51		
6232.00006.00	SWITCH	6		
6230.00014.12	MINI CONTACTOR DILEEM-10 XTMC6A10 3KW MOELLER	7		
2KLP.460.10010047.9.01	SECURING PIN FOR PSM10-20-30KG (Q10x47)	8		



F	R&D	İSİM	İMZA	TARİH	MATERIAL	TOLERANS
ÇİZEN	A.YILMAZ			01.02.2016		DIN 7168 ORTA
KONTROL	M.HACI			01.02.2016		
ONAY	M.HACI			01.02.2016	KALINLIK	REVİZYON 0
RESİM ÜZERİNDEN ÖLÇÜ ALMAYINIZ!	ÖLÇÜLER mm CİNSİNDEN DİR	AĞIRLIK (gr.)	ÖLÇEK			

**öztiryakiler**

PARÇA ADI: PATATES SOYMA MAKİNASI 30 KG TRİFAZE MEKANİK KONTROL FİLTRELİ  
T.RESİM NO: 0840.00030.21