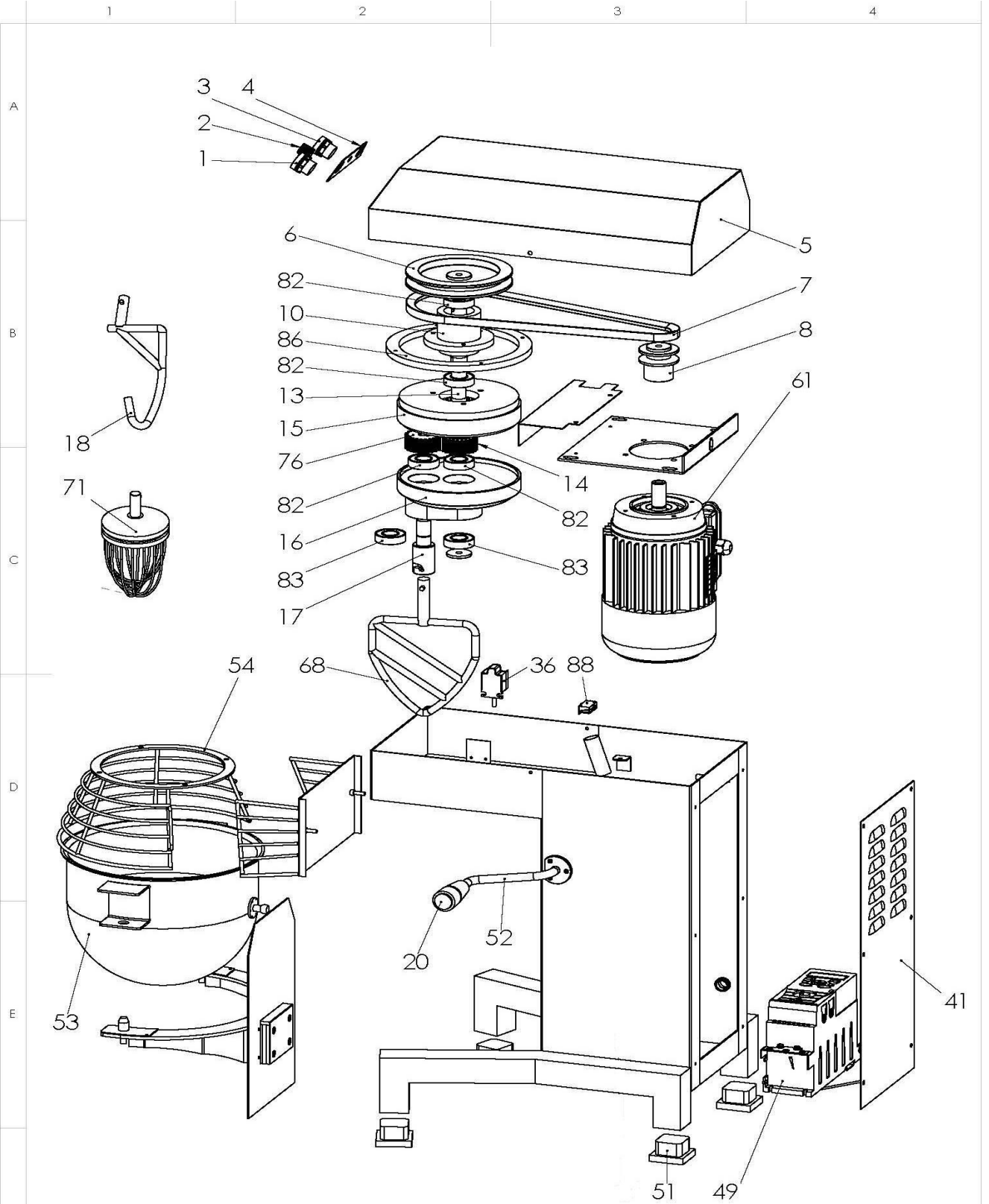




## SPARE PART LIST

Spare Part ItemCode	Item name.	PictureId	Price.	Curr.
6232.00010.31	BUTTON STOP AA42 SMCX	1		
2810.00010.03	FRONT PULLEY HUB	10		
2KLP.460.10260180.9.01	FRONT PULLEY SHAFT Q26x180mm	13		
6261.00017.20	SPUR GEARS FOR OM10	14		
2810.00010.51	INTERNEAL GEARS FOR OM10	15		
2810.00010.06	HELICAL GEAR HUB FOR OM10	16		
2KLP.460.10030125.9.01	FIXING SHAFT FOR OM10 MIXING APARATUS Q30x125mm	17		
2810.00010.08	KNEADING TOOL FOR OM10	18		
6229.00034.09	POTENTIOMETER 2K5 ORION	2		
6232.00010.32	BUTTON START AA31 SMCX	3		
6232.00006.00	SWITCH	36		
6229.00034.33	Speed controller	49		
2810.00010.00	TOP COVER FOR OM10 STAINLESS STEEL	5		
2810.00010.30	ARM FOR OM10 BOWL	52		
2810.00010.31	BOWL FOR OM10	53		
2810.00010.52	CAGE FOR OM10	54		
2810.00010.01	V PULLEY 13x150 FOR OM10	6		
6252.00000.11	MOTOR 0,55 KW 915 D/D THREEFASE 50 Hz B14 FLANGED VOLT	61		
2810.00010.13	MIXING TOOL FOR OM 10	68		
6263.00002.08	V BELT 13*875	7		
2810.00010.16	BEATING TOOL FOR OM10	71		
2KLP.460.00250012.9.01	BOWL LIFTING ARM RING	74		
6261.00017.22	SPUR GEARS FOR OM10 (PE)	76		
2810.00010.02	MOTOR PULLEY FOR OM10	8		
6211.00210.00	BEARING 6004	82		
6211.00210.01	BEARING 6004 2RS C0	83		
6261.00013.25	SAFETY CAGE CIRCULAR PART FOR OM10	86		
6260.00065.00	COVER KNOB	HND6		
6232.00010.03	SWITCH CS10N031C2	SW16		
6248.00022.00	RAIL FOR TERMINAL ST	TRN1		



F	R&D	İSİM	İMZA	TARİH	MATERIAL	TOLERANS
	ÇİZEN	A.YILMAZ		30.11.2015		DIN 7168 ORTA
	KONTROL	M.HACI		30.11.2015		
	ONAY	M.HACI		30.11.2015	KALINLIK	REVİZYON 0
	RESİM ÜZERİNDEN ÖLÇÜ ALMAYINIZ!		ÖLÇÜLER mm CİNSİNDEN DİR		AĞIRLIK (gr.)	41734.04
					ÖLÇEK	

**öztiryakiler**

PARÇA ADI: 10 LT. MİKSER  
T.RESİM NO: 0810.00010.14