

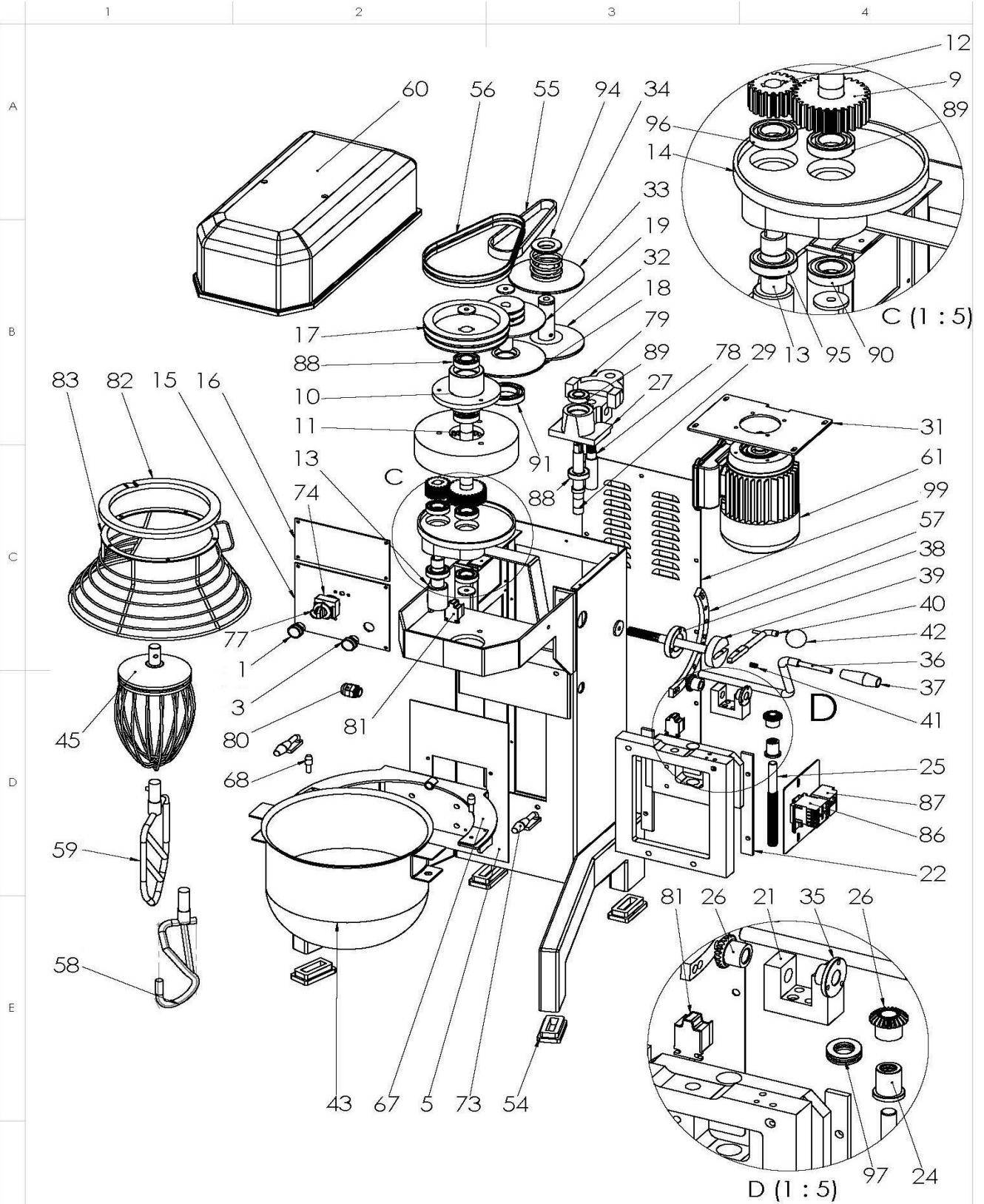


0810.00060.01

OM 60 TF PLANET MIXER 60 LT

SPARE PART LIST

Spare Part ItemCode	Item name.	PictureId	Price.	Curr.
6232.00010.31	BUTTON STOP AA42 SMCX	1		
2810.00040.42	ECCENTRIC AXLE BEARING CASE,	10		
2KLP.460.40360311.9.01	FRONT PULLEY SHAFT Q36x311mm FOR OM40-60	11		
6261.00017.07	POLIAMID GEAR	12		
2KLP.460.40050213.9.01	FIXING SHAFT FOR OM40-60 MIXING APARATUS Q50x213mm	13		
2810.00040.46	EGZANTRIK GEAR PROECTION,	14		
2810.00020.08	LOWER CASING FOR CONTROL PANEL (OM20-40-60)	15		
2810.00020.09	UPPER CASING FOR CONTROL PANEL (OM20-40-60)	16		
2810.00040.40	ECCENTRIC AXLE HOOP ,	17		
2810.00040.37	MIDDLE VARIATOR BOTOM PULLEY,	18		
2810.00040.39	MIDDLE VARIATOR UPPER PULLEY,	19		
6261.40060.07	GG-26 CAST IRON "U" PART FOR OM40-60	21		
6211.00390.00	BEARING 51104,	22		
2KLP.460.40040050.9.01	BRONZE NUT FOR OM40-60 (Q40x50mm)	24		
2KLP.460.40040051.9.01	WORM GEAR FOR OM40-60 (Q24x285mm)	25		
6261.00018.42	BEVEL GEAR FOR OM40-60	26		
2810.00040.33	SPEED ADJUSTMENT BEARING CASE	27		
2KLP.460.40340230.9.01	VARIATOR AXLE	29		
6232.00010.32	BUTTON START AA31 SMCX	3		
2810.00060.10	ENGINE VARIATOR BOTOM PULLEY,	32		
2810.00060.11	ENGINE VARIATOR UPPER PULLEY,	33		
6261.00026.00	PRESS SPRING	34		
2KLP.460.40045021.9.01	BOWL LIFTING ARM GUIDE BEARING Q50x21MM FOR OM40-60	35		
2810.00040.24	BOWL ARM FOR OM40-60	36		
6261.00027.02	BAKALITE PART (CYCLINDIRICAL, N:3 M10)	37		
2810.00040.13	BOWL LIFTING ARM BEARING FOR OM40-60	38		
2810.00040.32	SPEED ADJUSTMENT GEAR	39		
2810.00040.31	SPEED ADJUSTMENT ARM	40		
6261.00026.01	SPRING OUT: Q9/ WIRE: Q1.5 /LENGTH: 16/REVOLUTION: 6	41		
6261.00027.00	BAKALITE HANDLE Q40 M12	42		
2810.00060.06	BOWL FOR OM 60,	43		
2810.00060.17	BEATING TOOL FOR OM60	45		
2810.00060.04	ARM PLATE FOR OM60	5		
6261.00011.02	PLASTIC PART OF OM40 MIXER BASE	54		
6263.00003.08	V BELT 32*10*790	55		
6263.00002.21	V BELT 13*825	56		
2810.00040.12	SPEED ADJUSTMENT SPRING FOR OM40	57		
2810.00060.13	KNEADING TOOL FOR OM 60S	58		
2810.00060.14	PALETTE FOR OM60	59		
2810.00060.57	PLASTIC COVER FOR OM60	60		
6252.00000.51	MOTOR 1,5 KW 915D/D THREEPHASE 50 Hz B14 FLANGED VOLT	61		
2810.00060.59	ARM FOR OM60	67		
2KLP.460.00014042.9.01	BOWL FIXING PIN Q14x42mm	68		
2810.00040.19	BOWL LOCK FOR OM40-60	73		
6261.00017.04	40-60 LT DEVIR AYAR KREMIYER DISLI	78		
2810.00040.35	SPEED ADJUSTMENT PART (FORK)	79		
6259.00003.044	CABLE GLAND PG 16	80		
6232.00006.00	SWITCH	81		
6261.00013.27	SAFETY CAGE CIRCULAR PART FOR OM40-60	82		
2810.60600.60	CAGE FOR OM60	83		
6230.00014.12	MINI CONTACTOR DILEEM-10 XTMC6A10 3KW MOELLER	86		
6233.00016.13	THERMIC RELAY 4-6 (ZE-6) MOELLER(MINI)	87		
6211.00222.00	BEARING 6206,	88		
6211.00209.00	BEARING 6006,	89		
6261.00017.08	ECCENTRIC GEAR	9		
6211.00209.03	BEARING 6006 2RS C3	90		
6211.00215.01	BEARING 6010,	91		
2KLP.460.00600009.9.01	PRESS METAL RING	94		
6211.00221.00	BEARING 6205 2RS C0	95		
6211.00221.01	BEARING 6205,	96		
6260.00065.00	COVER KNOB	HND6		
6259.00002.06	TIMER KNOB	KB3		
6259.00002.05	TIMER 0-90 MIN	TCK1		
6248.00022.00	TERMINAL RAIL(ST)	TRN1		



F	R&D	İSİM	İMZA	TARİH	MATERIAL	TOLERANS
	ÇİZEN	A.YILMAZ		28.01.2016		DIN 7168 ORTA
	KONTROL	M.HACI		28.01.2016		
	ONAY	M.HACI		28.01.2016	KALINLIK	REVİZYON 0
RESİM ÜZERİNDEN ÖLÇÜ ALMAYINIZI		ÖLÇÜLER mm CİNSİNDENDİR		AĞIRLIK (gr.)	ÖLÇEK	1/1

öztiryakiler

PARÇA ADI: MİKSER 60 LT TRİFAZE CE MEKANİK KONTROL PANELLİ
T.RESİM NO: 0810.00060.01