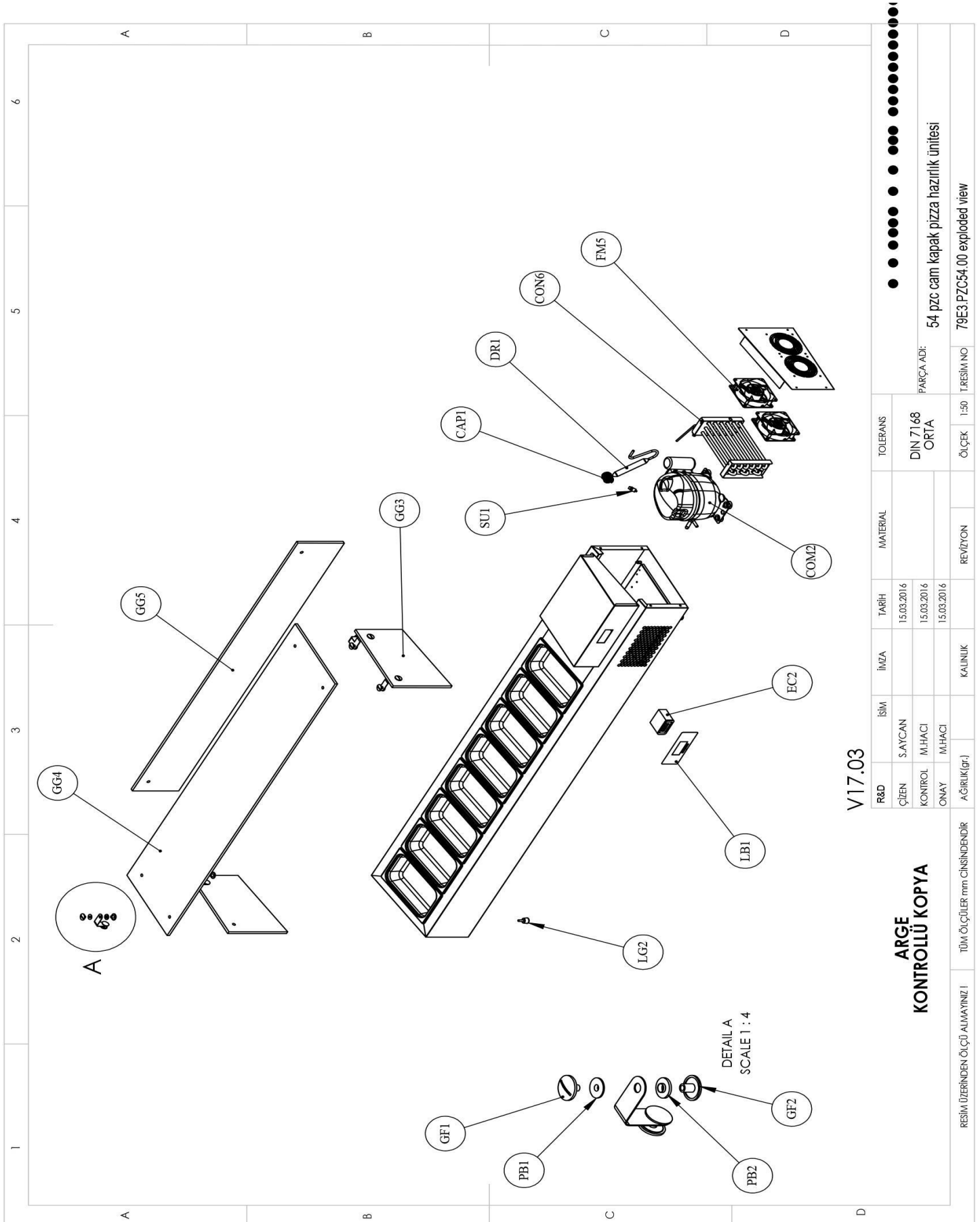




SPARE PART LIST

Spare Part ItemCode	Item name.	PictureId	Price.	Curr.
6268.00001.15	CAPILLARY 0,90x2,20 M	CAP2		
6268.00006.02	COMPRESSOR EMBRACO R-134 EMT 6144 Z	COM2		
6268.00010.00	CONDENSER 1/5 HP PZC	CON6		
6268.00003.03	DRYER 20 GR	DR1		
6234.00009.49	CONTROLLER DIGITAL EVCO EV3B22N7 2 OUTPUT	EC2		
6234.00009.08	DIGITAL SENSOR EVCO NTC PROP EVTPN615F200	EC6		
6252.00015.02	FAN MOTOR LETT 12*12 230 AC	FM5		
2KLP.460.00240012.9.01	GLASS F TT NG MALE THREAD	GF1		
2KLP.460.00240012.9.02	GLASS F TT NG FEMALE THREAD	GF2		
6269.00003.12	GR NDED GLASS S DE	GG3		
6269.00003.23	GR NDED GLASS PZC 54 TOP	GG4		
6269.00003.24	GR NDED GLASS PZC 54 BACK	GG5		
6800.00001.57	FRONT PANEL LABEL-OZTIRYAKILER EKO	LB1		
6260.00002.490	THREADED LEG PINGO	LG11		
2KLP.460.00200004.9.01	POLYAM DE BEAR NG - 1	PB1		
6257.00009.10	POWER CORD LENGTH 3M 3x1,5 HO5VV-F	PC1		



V17.03

ARGE
KONTROLLÜ KOPYA

R&D	İSİM	İMZA	TARİH	MATERIAL	TOLERANS
ÇİZEN	S.AYCAN		15.03.2016		DIN 7168 ORTA
KONTROL	M.HACI		15.03.2016		
ONAY	M.HACI		15.03.2016		
AĞIRLIK(gr)	KALINLIK	REVİZYON	ÖLÇEK	1:50	T.RESİM NO
					79E3.PZC54.00 exploded view

PARÇA ADI: 54 pzc cam kapak pizza hazırlık ünitesi

79E3.PZC54.00 exploded view

RESİM ÜZERİNDEKİ ÖLÇÜ ALMAYINIZ ! TÖM ÖLÇÜLER mm CİNSİNDENİDİR