



HISAKAGE
PRODUCT CATALOG 2024.9

HISAKAGE[®]

Ice Maker & Refrigerator

HISAKAGE-CHINA



※Due to technical upgrades, not all details of some products are disclosed. The data on the day of purchase shall prevail.



Menu

Ice Maker

AC—Cube/Half Cube/Large Cube Ice	04-06
SC—Square/Small Square/Large Square Ice	07-08
EC—Cylindrical Ice	09-10
BT—Bullet Ice	10
JM—Crescent Ice	11-12
AS—Flake/Nugget Ice	13-14
AP—Scale Ice	15
AM—Automatic Ice Dispenser	16



We strive to produce higher quality ice.

Refrigerator

E—201 Static Cooling Refrigerator	18-19
C—201 Air Cooling Refrigerator	20-21
CG—201 Air Cooling Glass Door Refrigerator	22-23
CB—201 Air Cooling Bakery Refrigerator	24
CS—201 Air Cooling Salad Refrigerator	25
CP—201 Air Cooling Pizza Refrigerator	25



We are committed to innovation, creating smarter and more energy-efficient kitchen refrigerators.

CW—201 Air Cooling Wall-mounted, Sliding Door	26
CL—201 Air Cooling Chef base	26
V—304 Air Cooling Refrigerator	27-28
VG—304 Air Cooling Glass Door Refrigerator	29-30
BC—304 Air Cooling Bar Glass Door Refrigerator	31

BH—304 Air Cooling Open Kitchen Refrigerator	31
CQ—304 Air Cooling Blast Freezer	32
CD—Deep Freezer	32
BP—304 Air Cooling Heated Banquet Carts, Mobile Refrigerator	33
BG—304 Air Cooling Trolley Freezer	34

Showcase

DS—Sushi Showcase	36
DCL—Rectangular Showcase	37
DCA—Arc Showcase	38
DH—High Quality Showcase	39
DI—Ice Cream Showcase	40
DOT—Open Showcase	41
DOV—High body Open Showcase	42



HISAKAGE, designed and manufactured to bring your ideas to life.

HISAKAGE

Committed to producing better quality products.

HISAKAGE[®] Ice Maker



New Structure Design



Main Parts Easy to Remove



Foam Isolation in the Ice-Making Area



Patented Anti-Backflow Elbow



Intelligent Control System



High-Efficiency Evaporator Plate



Top Ventilation Design

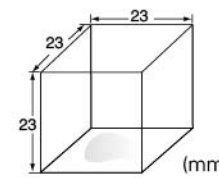


Food-Grade Ice Storage Bin

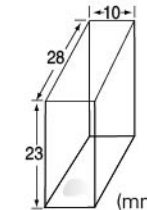
AC—Cube/Half Cube/Large Cube Ice



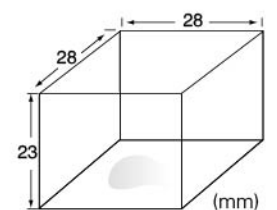
Flowing **vertical** ice making
Evaporation temperature: -18°C
Ice **center** temperature: -13°C



M: Cube
Weight: 11g
Water content: 2%
Dimension: 23x23x23



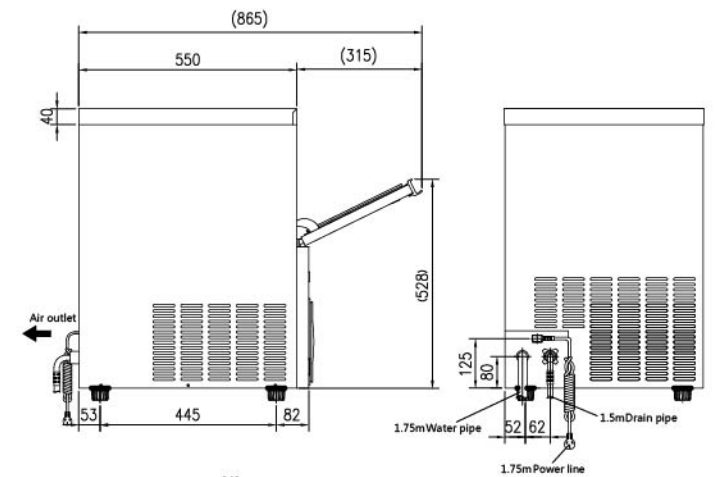
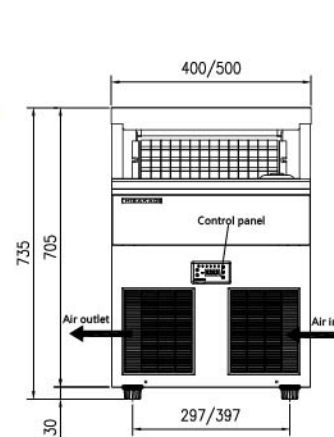
S: Half cube
Weight: 6g
Water content: 2%
Dimension: 10x28x23



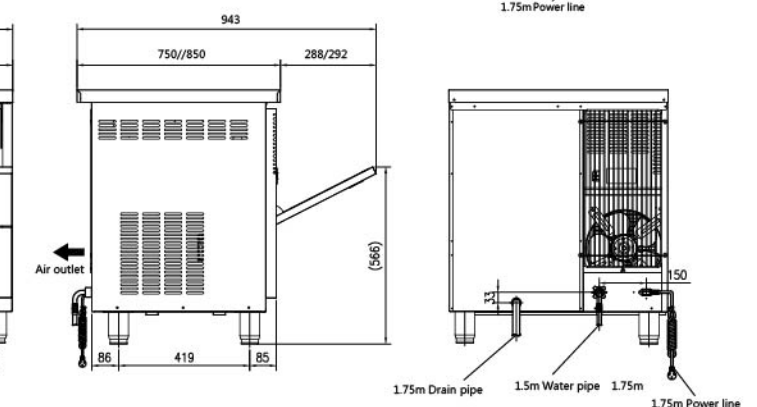
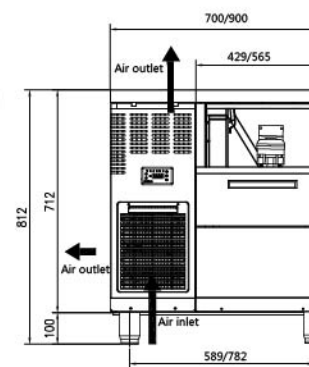
L: Large cube
Weight: 16g
Water content: 2%
Dimension: 28x28x23



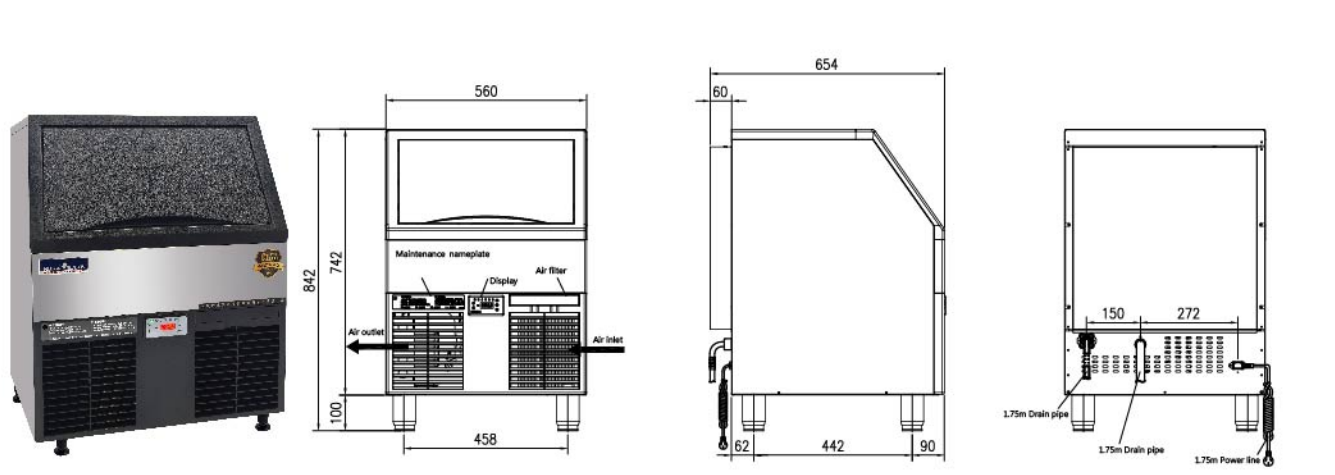
AC-80X/120X



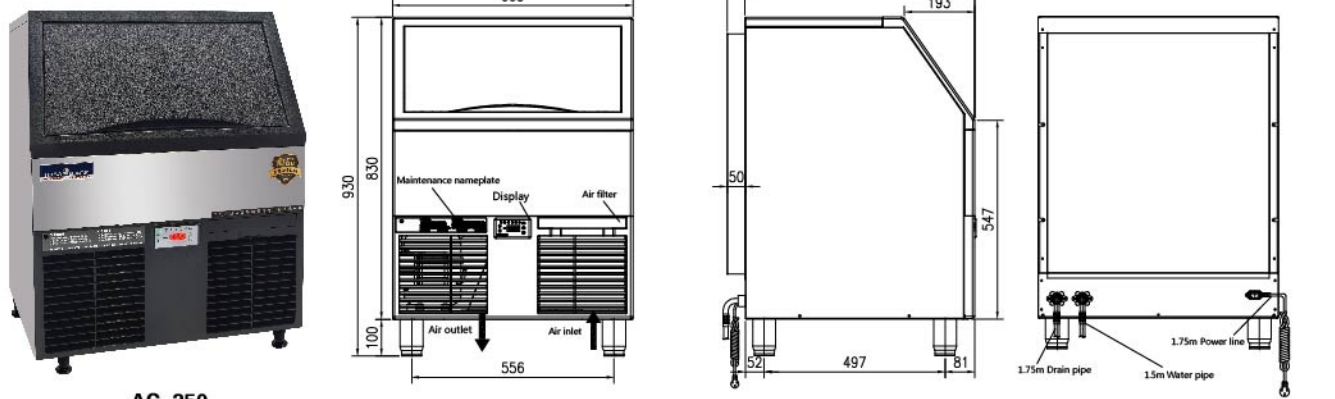
AC-150X/215X/270X



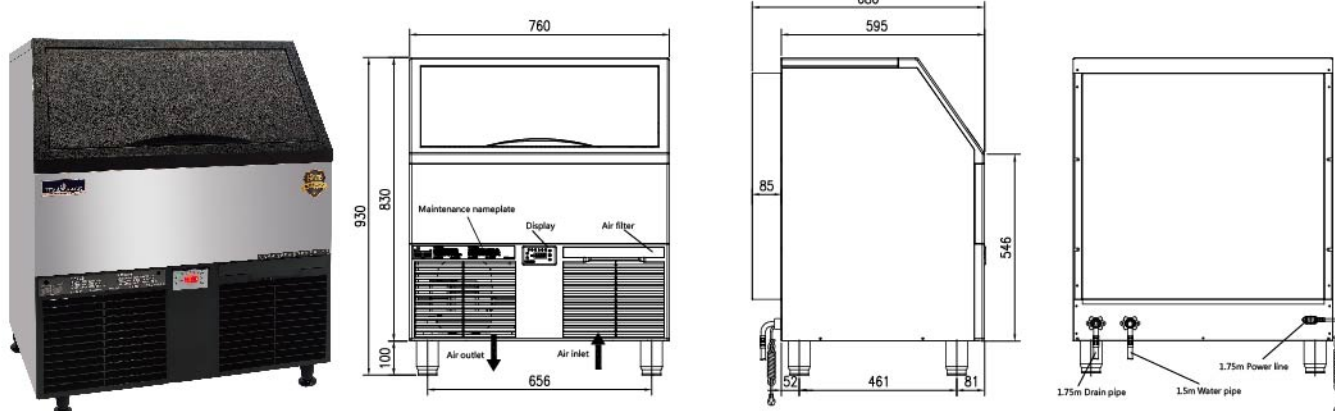
That is why choose HISAKAGE ice maker.



AC-100/150



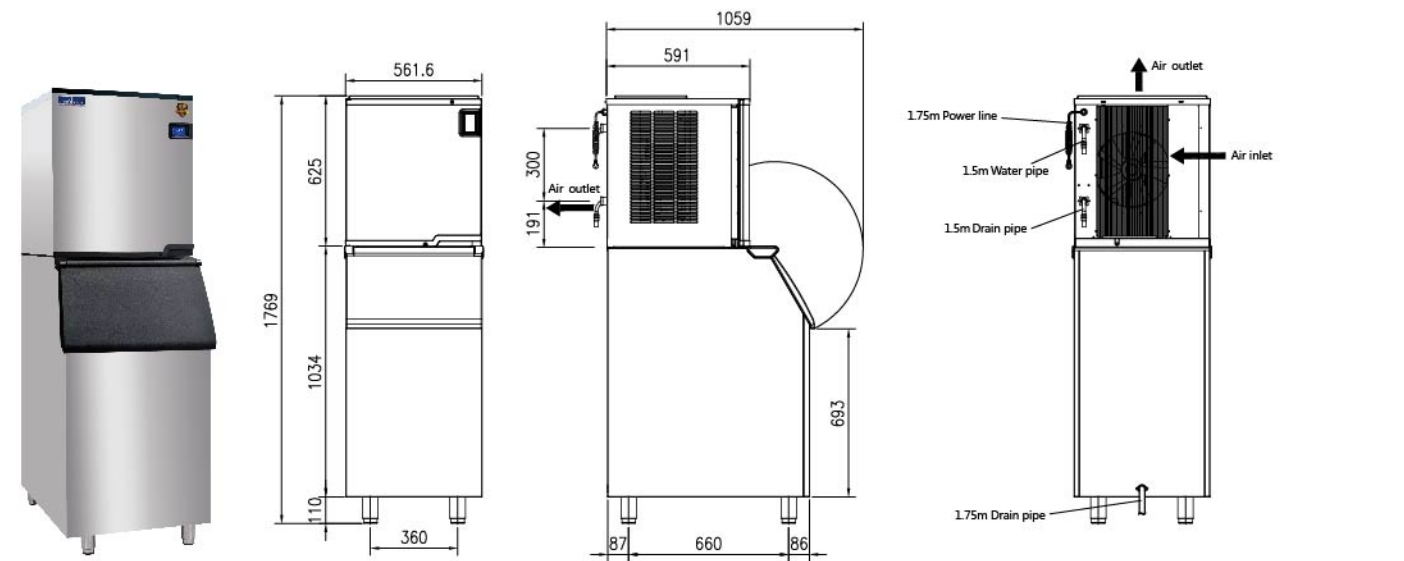
AC-250



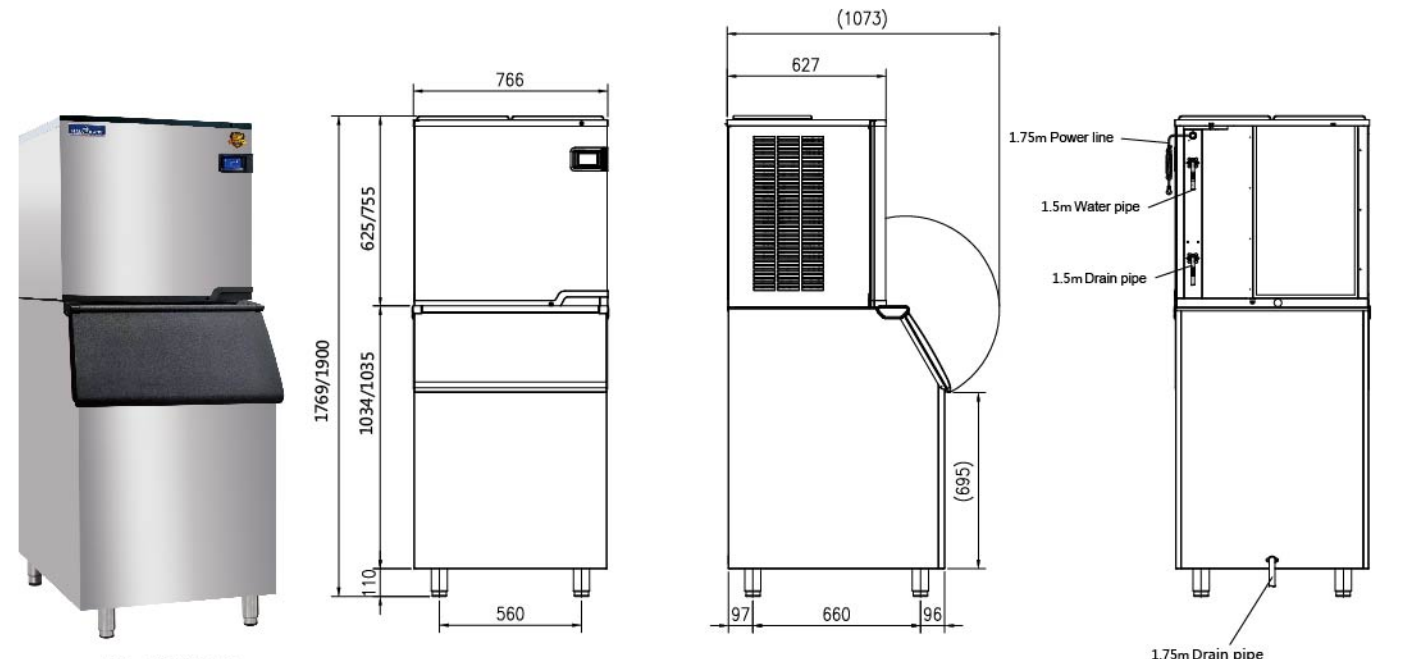
AC-300

Model	Production (lbs/kg)	Storage Capacity (lbs/kg)	Power	Ice Type	Cooling	Refrigerant	Dimensions W*D*H(mm)
AC-80X	77 lbs/35kg	16 lbs/8kg	285W	Cube	Air	R290	400x580x(705+30)
AC-120X	121 lbs/55kg	33 lbs/15kg	320W	Cube	Air	R290	500x580x(705+30)
AC-150X	154 lbs/70Kg	66 lbs/30Kg	360W	Cube/1/2	Air	R290	700 x 650 x (705+100)
AC-215X	209 lbs/95Kg	66 lbs/30Kg	420W	Cube/1/2	Air	R290	700 x 650 x (705+100)
AC-270X	275 lbs/125Kg	110 lbs/50Kg	680W	Cube/1/2	Air	R290	900 x 750 x (705+100)
AC-100	110 lbs/50Kg	39 lbs/18Kg	320W	Cube	Air	R290	560 x 580 x (745+65)
AC-150	154 lbs/70Kg	39 lbs/18Kg	360W	Cube/1/2	Air	R290	560 x 580 x (745+65)
AC-250	231 lbs/105Kg	66 lbs/30Kg	420W	Cube/1/2	Air	R290	660 x 670 x (830+100)
AC-300	297 lbs/135Kg	88 lbs/40Kg	680W	Cube/1/2	Air	R290	760 x 670 x (830+100)
AC-500	485 lbs/220Kg	352 lbs/160Kg	800W	Cube/1/2	Air/Water	R410A	560 x 885 x (1655+150)
AC-700	705 lbs/320Kg	551 lbs/250Kg	1000W	Cube/1/2	Air/Water	R410A	760 x 885 x (1655+150)
AC-1050	992 lbs/450Kg	551 lbs/250Kg	1600W	Cube/1/2	Air/Water	R410A	760 x 885 x (1755+150)
AC-1500	1433 lbs/650Kg	881 lbs/400Kg	1900W	Cube/1/2	Air/Water	R410A	1220 x 885 x (1755+150)
AC-2000	1873 lbs/850Kg	881 lbs/400Kg	3200W	Cube/1/2	Air/Water	R410A	1220 x 885 x (1755+150)

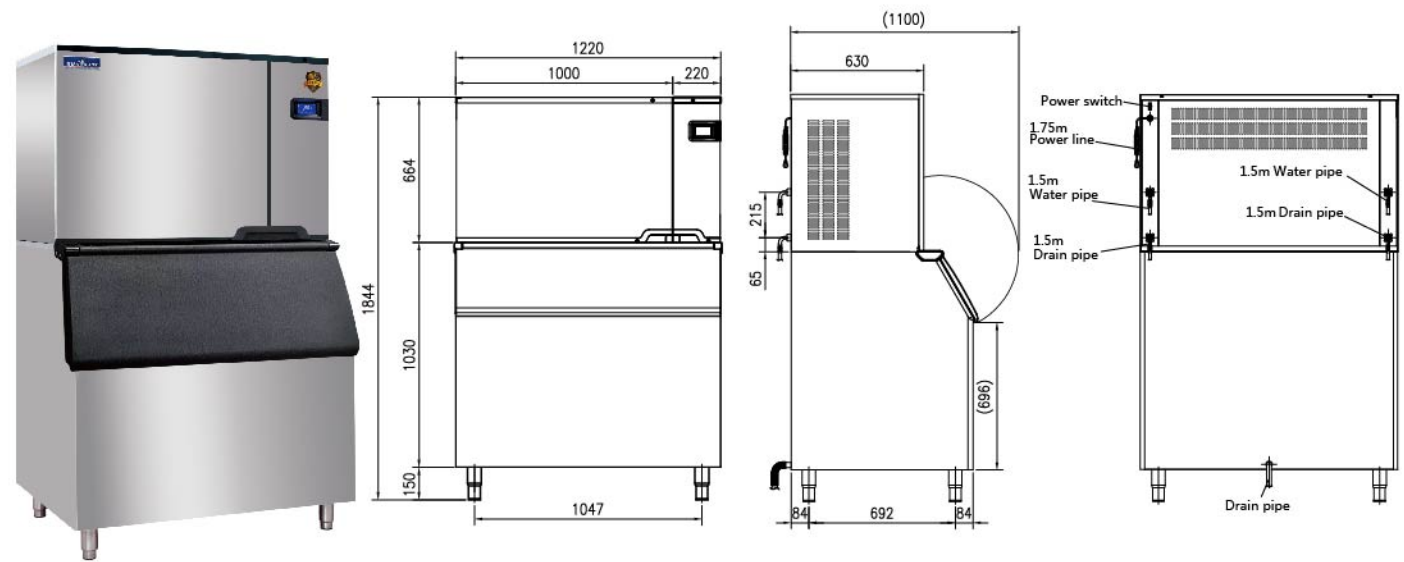
Note: AC Series Ice Production Testing Conditions: 21°C and 15°C. Ice type option for M (Cube Ice), S (Half Cube Ice), L (Large Cube Ice).



AC-500



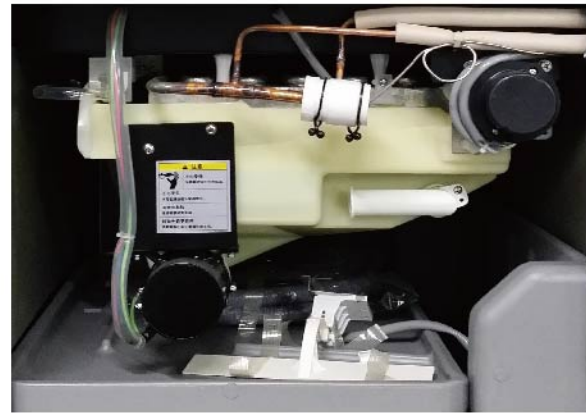
AC-700/1050



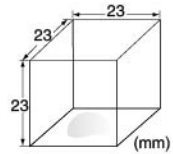
AC-1500/2000

*The AC-2000 base standard 380V, 50Hz 3P.

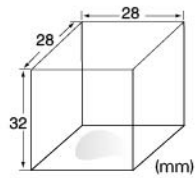
SC—Square/Small Square/Large Square Ice



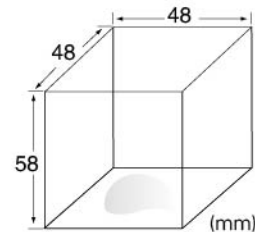
Spray enclosed ice making
Evaporation temperature: -25°C
Ice center temperature: -17°C



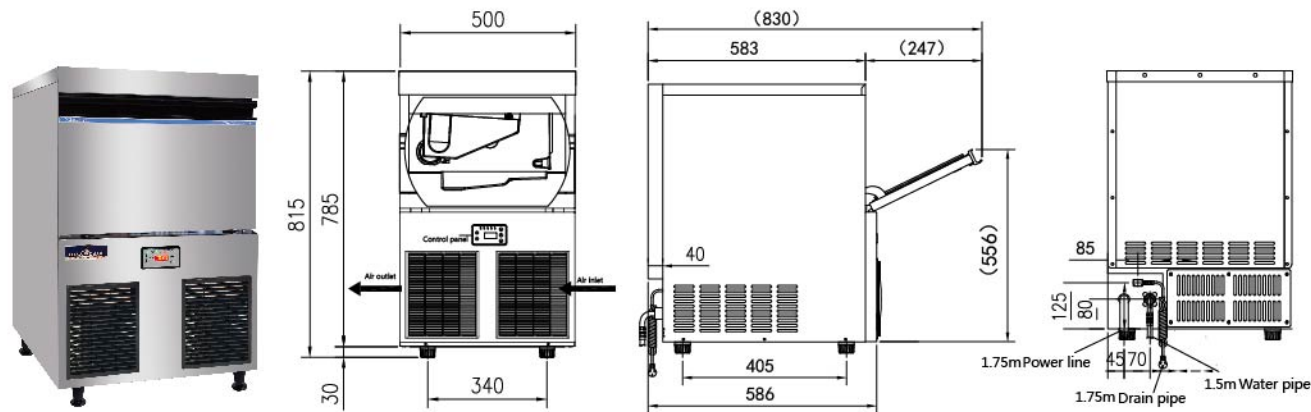
SS: Small square
Weight: 11g
Water content: 2%
Dimension: 23x23x23



MS: Square
Weight: 23g
Water content: 2%
Dimension: 28x28x32



LS: Large square
Weight: 110g
Water content: 2%
Dimension: 48x48x58



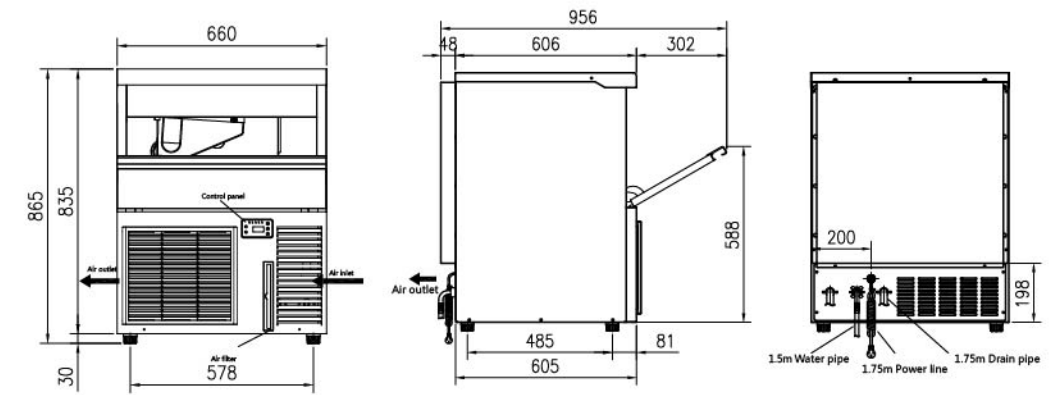
SC-100/120

Model	Production (lbs/kg)	Storage Capacity (lbs/kg)	Power	Ice Type	Cooling	Refrigerant	Dimensions W*D*H(mm)
SC-100	110 lbs/50Kg	33 lbs/15Kg	320W	Square	Air	R290	500 × 580 × (785+30)
SC-120	121 lbs/55Kg	33 lbs/15Kg	320W	3/4 Square	Air	R290	500 × 580 × (785+30)
SC-150	132 lbs/60Kg	66 lbs/30Kg	460W	Large Square	Air	R290	660 × 670 × (830+30)
SC-200	209 lbs/95Kg	66 lbs/30Kg	460W	Square	Air	R290	660 × 670 × (830+30)
SC-500	440 lbs/200Kg	352 lbs/160Kg	850W	Square	Air/Water	R410A	560 × 885 × (1852+150)
SC-1000	880 lbs/400Kg	881 lbs/400Kg	1700W	Square	Air/Water	R410A	1220 × 885 × (1852+150)

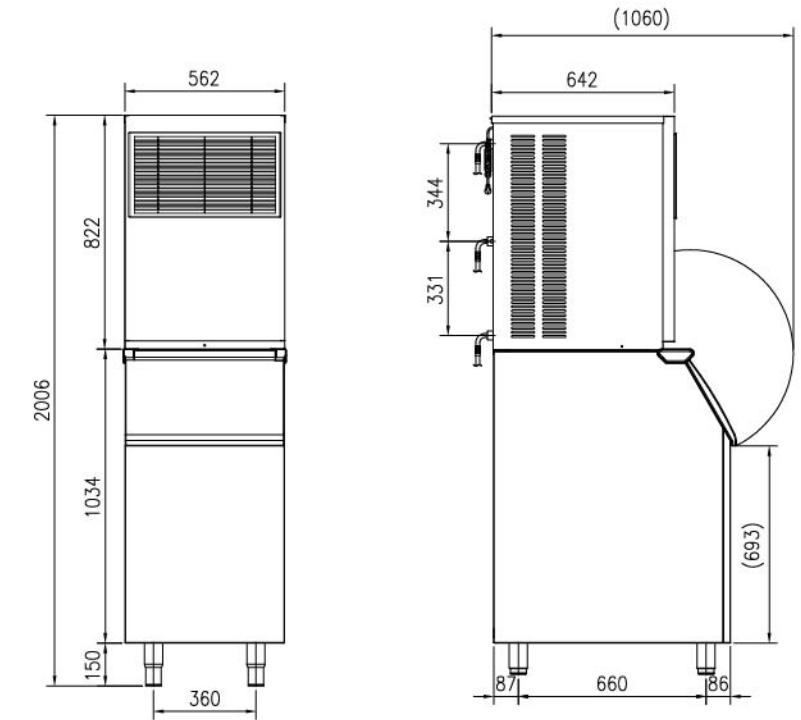
Note: SC series testing condition: 15°C and 10°C .



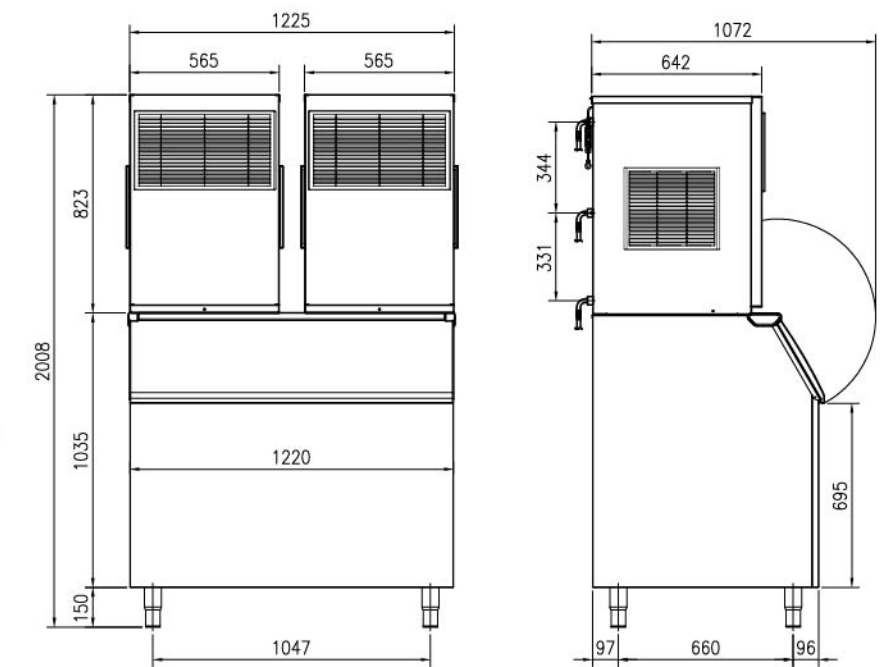
SC-150/200



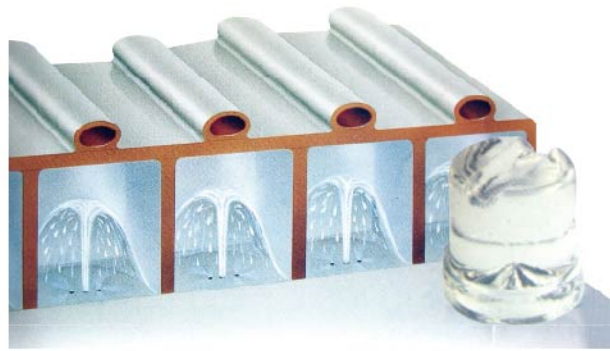
SC-500



SC-1000

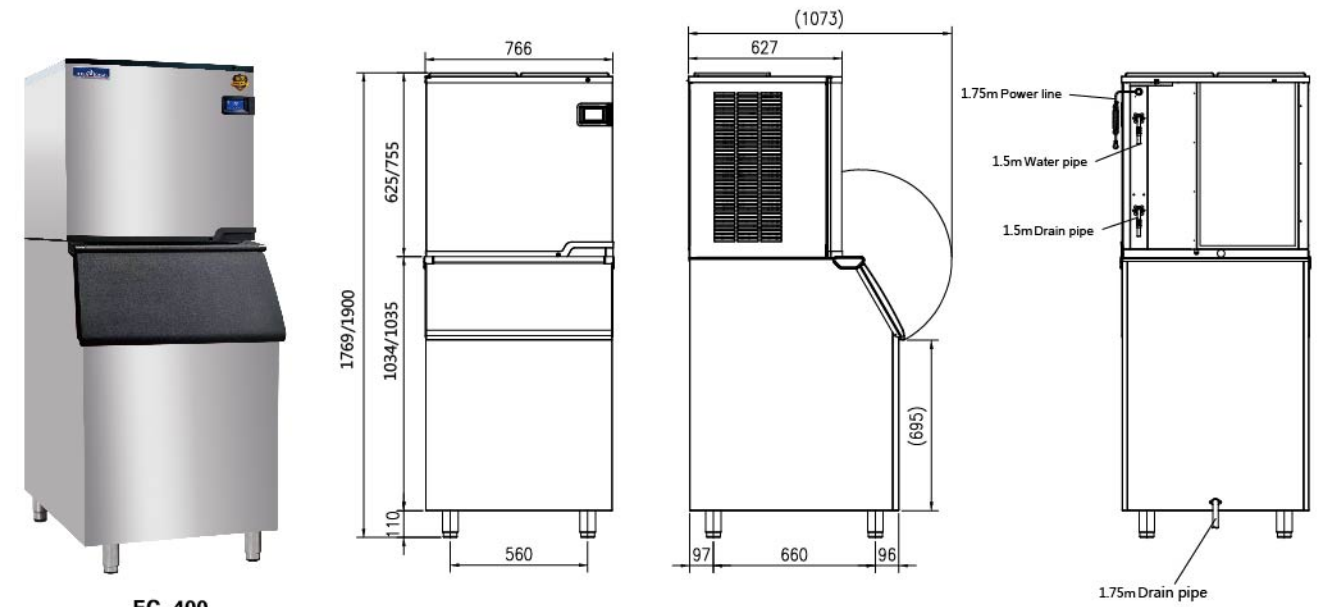


EC—Cylindrical Ice



Spray **enclosed** ice making
Evaporation temperature: -25°C
Ice **center** temperature: -15°C

EC: Cylindrical
Weight: 20g
Water content: 2%
Dimension: $\phi 25 \times 30\text{mm}$

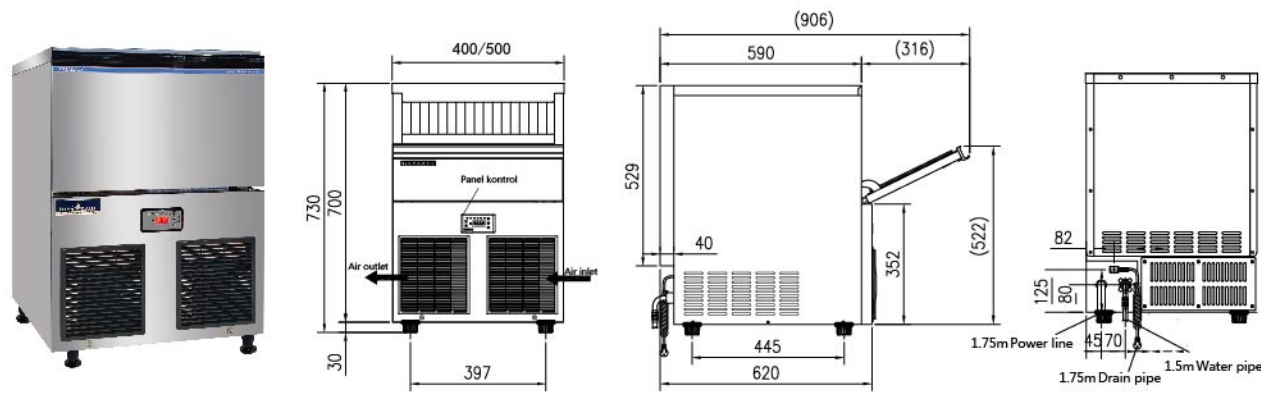


EC-400

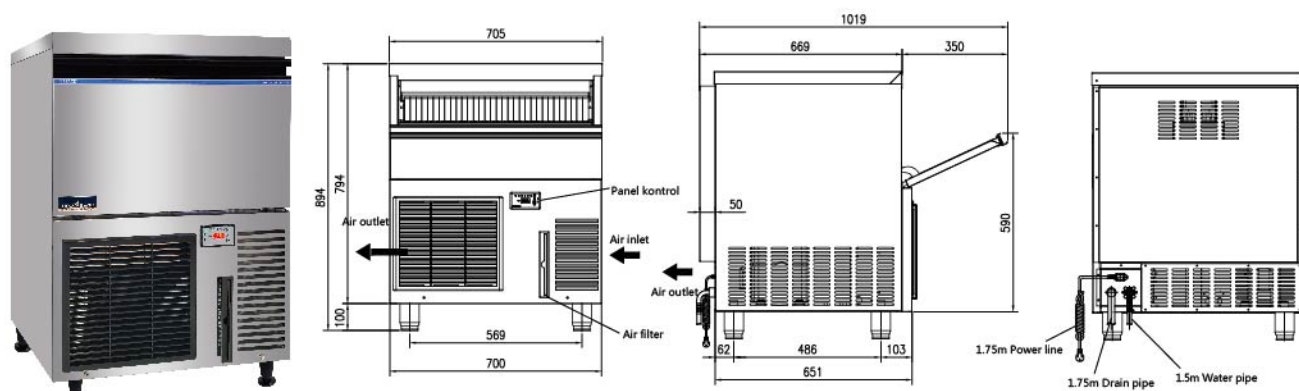
Model	Production (lbs/kg)	Storage Capacity (lbs/kg)	Power	Ice Type	Cooling	Refrigerant	Dimensions W*D*H(mm)
EC-65	66 lbs/30Kg	17 lbs/8Kg	320W	Cylindrical	Air	R290	400 × 620 × (700+30)
EC-105	110 lbs/50Kg	33 lbs/15Kg	360W	Cylindrical	Air	R290	500 × 580 × (700+30)
EC-200	198 lbs/90Kg	66 lbs/30Kg	490W	Cylindrical	Air	R290	700 × 700 × (800+100)
EC-400	396 lbs/180Kg	551 lbs/250Kg	850W	Cylindrical	Air/Water	R410A	760 × 885 × (1775+100)

Note: EC series testing condition: 15°C and 10°C .

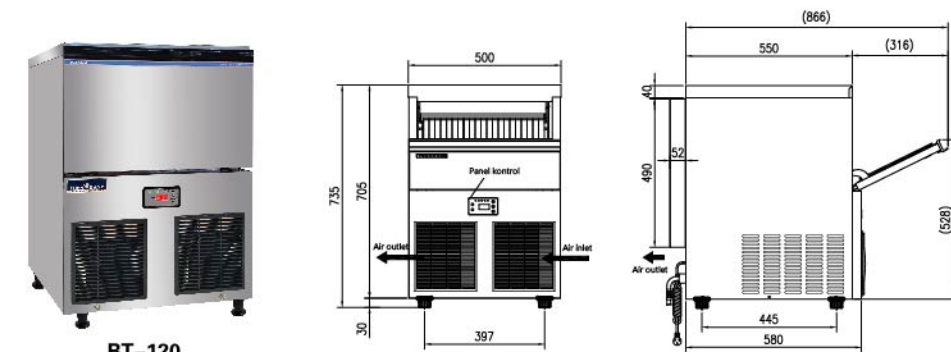
BT— Bullet Ice



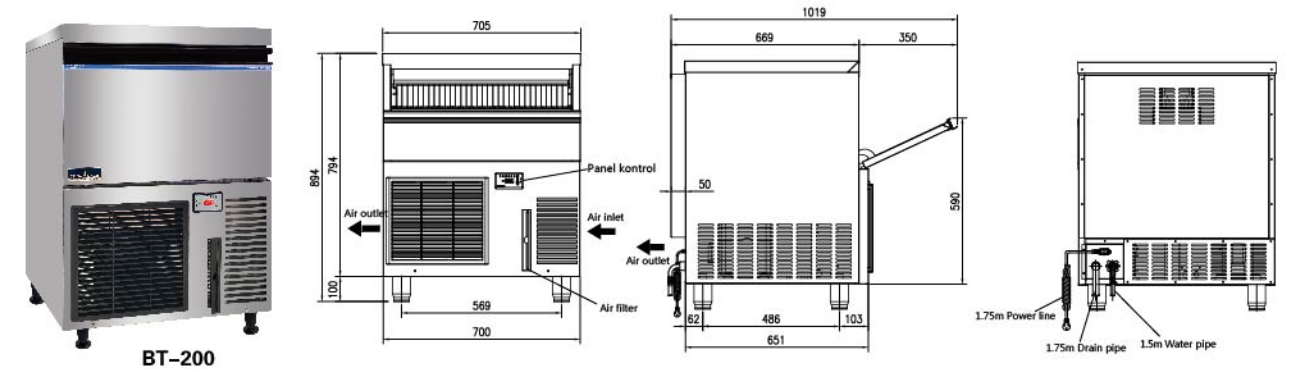
EC-65/105



EC-200



BT-120

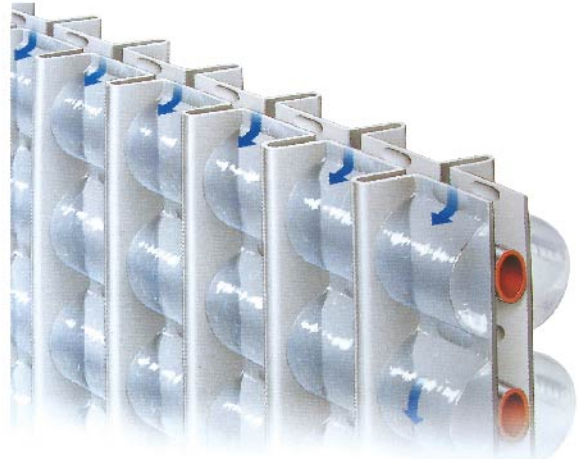


BT-200

Model	Production (lbs/kg)	Storage Capacity (lbs/kg)	Power	Ice Type	Cooling	Refrigerant	Dimensions W*D*H(mm)
BT-120	110 lbs/50Kg	33 lbs/15Kg	360W	Bullet	Air	R290	500 × 620 × (700+30)
BT-200	198 lbs/90Kg	66 lbs/30Kg	490W	Bullet	Air	R290	700 × 700 × (800+100)

Note: TB series testing condition: 15°C and 10°C .

JM—Crescent Ice

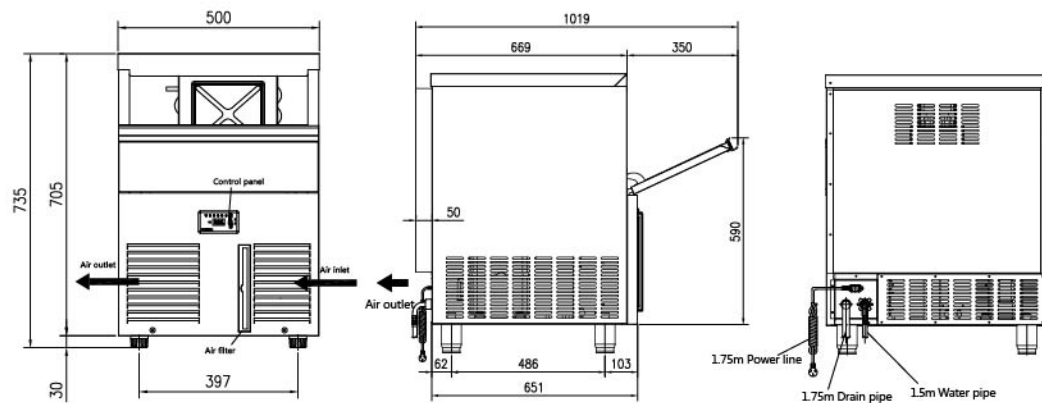


Flowing **double-sided** ice making
 Evaporation temperature: -20°C
 Ice **center temperature**: -13°C

JM: Crescent
 Weight: 10g
 Water content: 2%
 Dimension: 30x13x38mm



JM-120/250

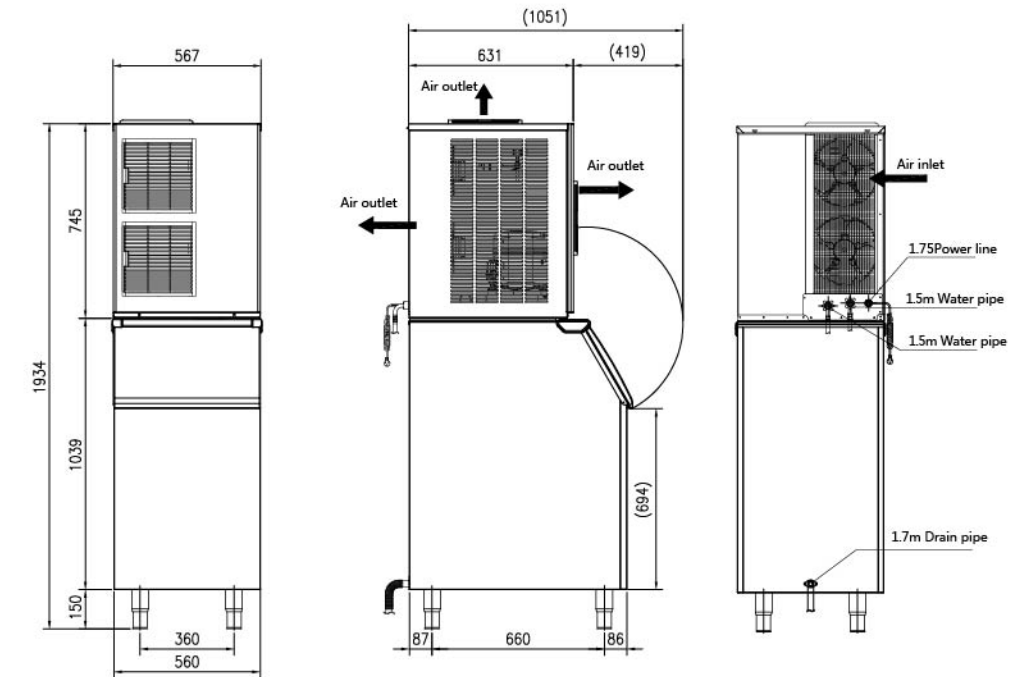


Model	Production (lbs/kg)	Storage Capacity (lbs/kg)	Power	Ice Type	Cooling	Refrigerant	Dimensions W*D*H(mm)
JM-120	110 lbs/50Kg	33 lbs/15Kg	320W	Crescent	Air	R290	500 × 580 × (705+30)
JM-250	253 lbs/115Kg	66 lbs/30Kg	480W	Crescent	Air	R290	700 × 700 × (800+100)
JM-500	551 lbs/250Kg	352 lbs/160Kg	830W	Crescent	Air/Water	R410A	560 × 885 × (1775+150)
JM-850	837 lbs/380Kg	551 lbs/250Kg	1250W	Crescent	Air/Water	R410A	760 × 885 × (1775+150)
JM-1000	947 lbs/430Kg	551 lbs/250Kg	1650W	Crescent	Air/Water	R410A	760 × 885 × (1775+150)
JM-1700	1675 lbs/760Kg	881 lbs/400Kg	2500W	Crescent	Air/Water	R410A	1220 × 885 × (1775+150)

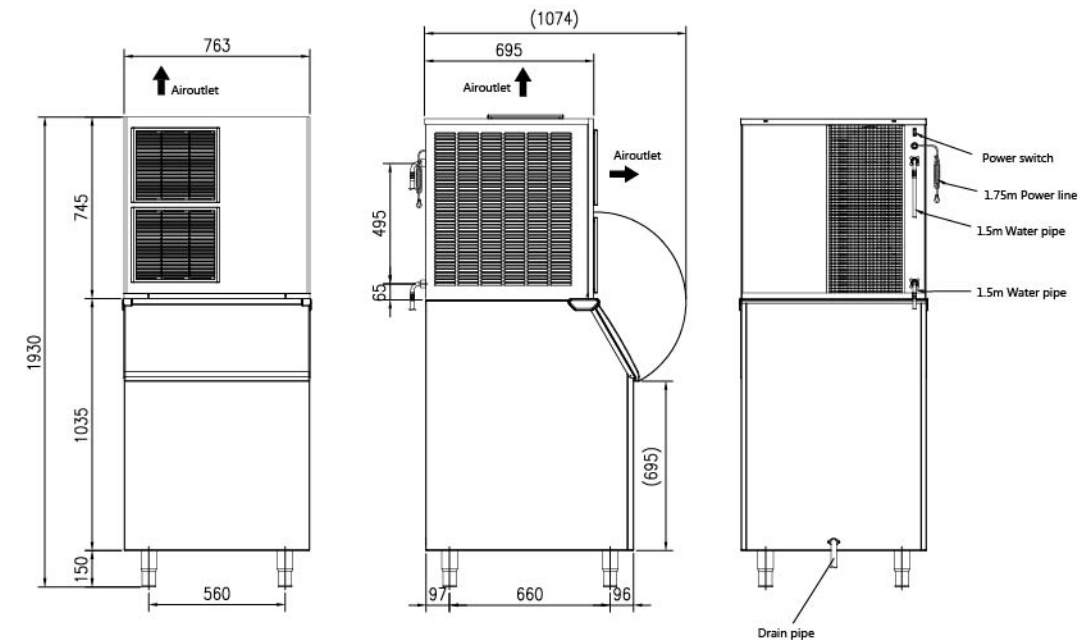
Note: JM series testing condition: 15°C and 10°C .



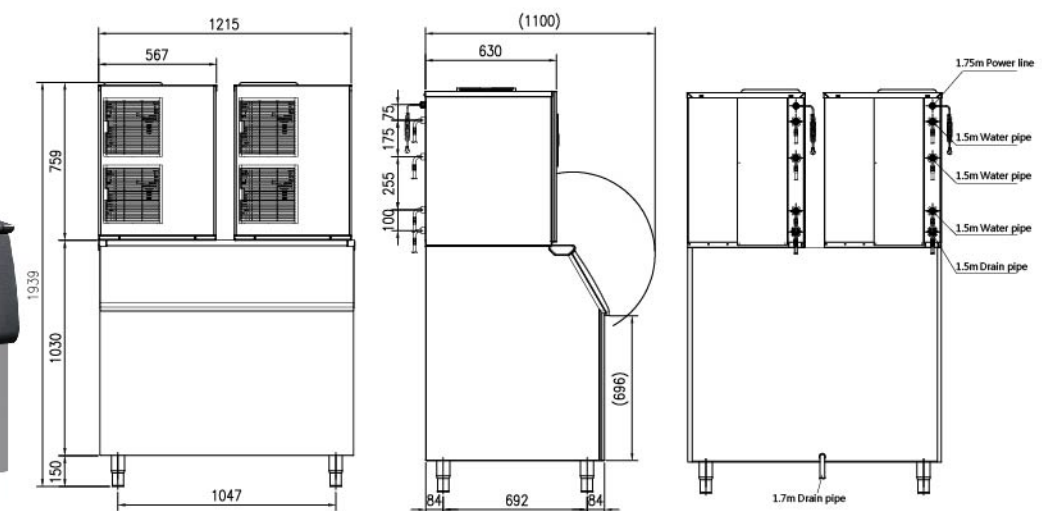
JM-500



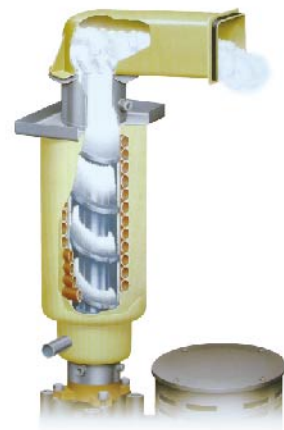
JM-850/1000



JM-1700



AS—Flake/Nugget Ice



F: Flake
Weight: 1g
Water content: 10%
Dimension: 5x8mm

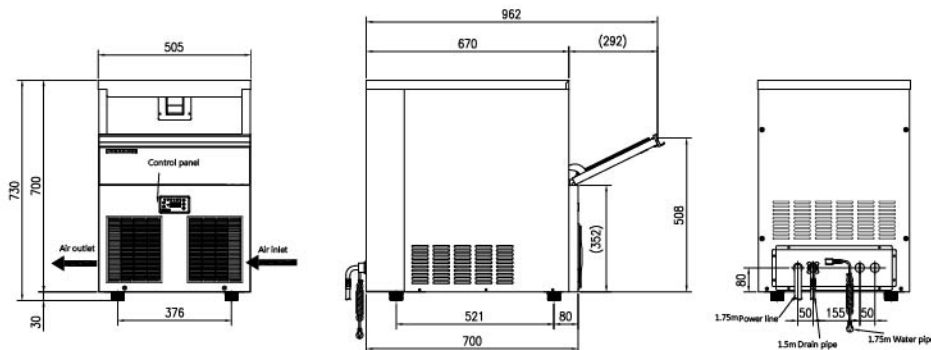


N: Nugget
Weight: 3g
Water content: 5%
Dimension: 10x15mm

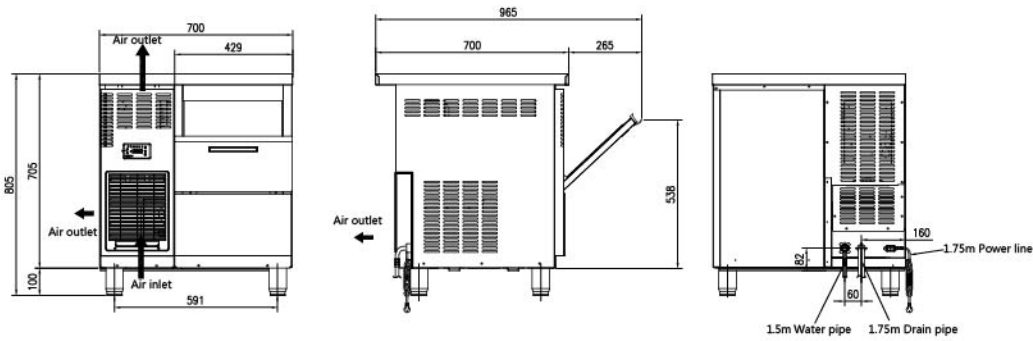
Rotary **extrusion** ice making
Evaporation temperature: -15°C
Ice **center temperature**: -7°C



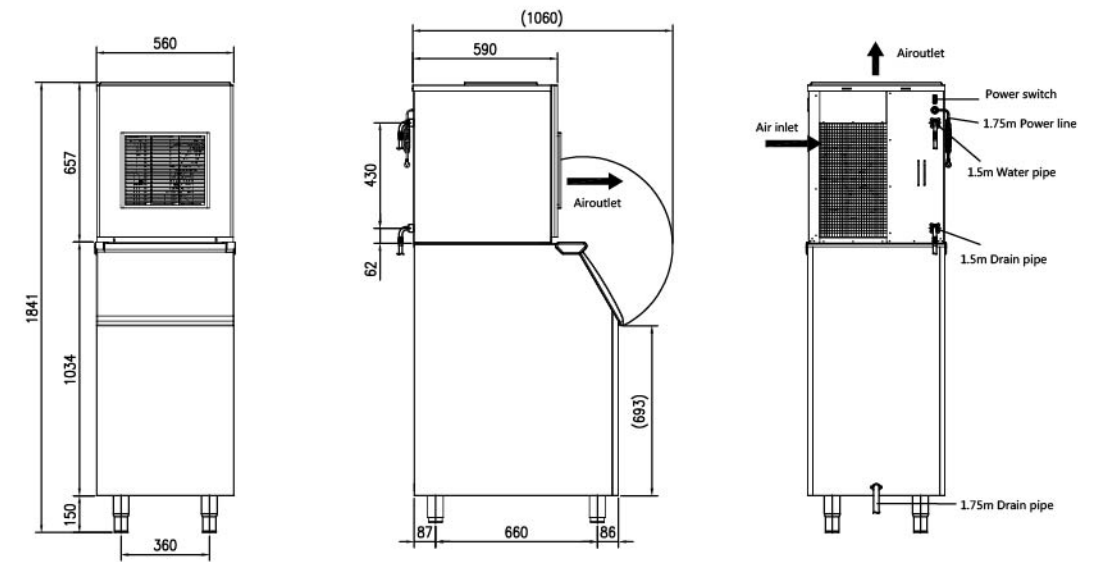
AS-200



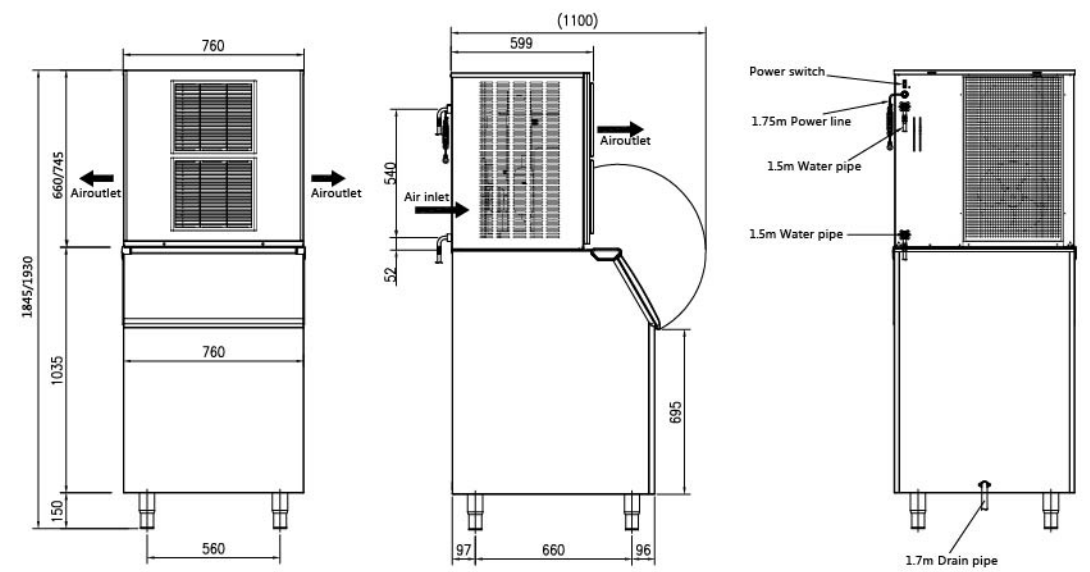
AS-300



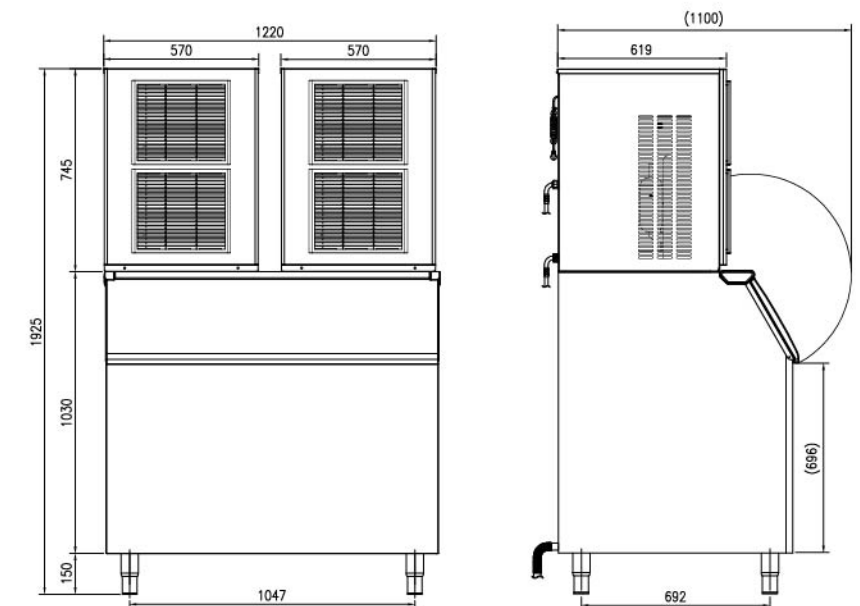
AS-450



AS-650/850/1050/1300



AS-2100



Model	Production (lbs/kg)	Storage Capacity (lbs/kg)	Power	Ice Type	Cooling	Refrigerant	Dimensions W*D*H(mm)
AS-200	198 lbs/90Kg	33 lbs/15Kg	460W	Flake	Air	R290	500 × 670 × (795+30)
AS-300	297 lbs/135Kg	66 lbs/30Kg	620W	Flake	Air	R290	700 × 700 × (705+100)
AS-450	440 lbs/200Kg	352 lbs/160Kg	880W	Flake/Nugget	Air/Water	R410A	560 × 885 × (1655+150)
AS-650	705 lbs/320Kg	551 lbs/250Kg	1000W	Flake/Nugget	Air/Water	R410A	760 × 885 × (1655+150)
AS-850	881 lbs/400Kg	551 lbs/250Kg	1200W	Flake	Air/Water	R410A	760 × 885 × (1655+150)
AS-1050	1102 lbs/500Kg	551 lbs/250Kg	1300W	Flake/Nugget	Air/Water	R410A	760 × 885 × (1775+150)
AS-1300	1322 lbs/600Kg	551 lbs/250Kg	1600W	Flake	Air/Water	R410A	760 × 885 × (1775+150)
AS-2100	2204 lbs/1000Kg	881 lbs/400Kg	2600W	Flake	Air/Water	R410A	1220 × 885 × (1755+150)

Note: AS series testing condition: 15°C and 10°C .

AP—Scale Ice

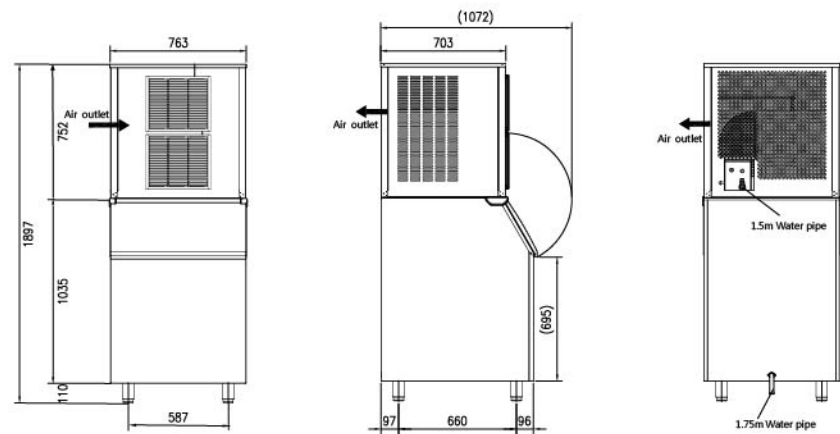


Vertical **cylinder** ice making
Evaporation temperature: -28°C
Scale **ice center temperature**: -15°C

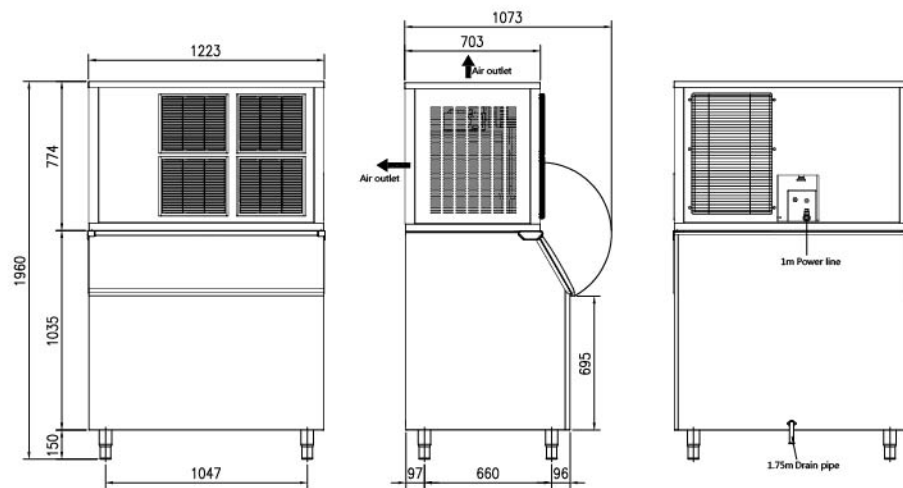
AP: Scale
Weight: 3g
Water content: 2%
Dimension: 15x10x2mm



AP-0.3



AP-0.6/1



Model	Production (lbs/kg)	Storage Capacity (lbs/kg)	Power	Ice Type	Cooling	Refrigerant	Dimensions W*D*H(mm)
AP-0.3	771 lbs/350Kg	551 lbs/250Kg	1050W	Scale	Air/Water	R410A	760 × 885 × (1781+150)
AP-0.6	1322 lbs/600Kg	881 lbs/400Kg	1650W	Scale	Air/Water	R410A	1220 × 885 × (1805+150)
AP-1	2204 lbs/1000Kg	881 lbs/400Kg	2850W	Scale	Air/Water	R410A	1220 × 885 × (1805+150)
AP-2	4409 lbs/2000Kg	1322 lbs/600Kg	5500W	Scale	Air/Water	R410A	1400 × 1380 × (2100+150)

Note: AP series testing condition: 15°C and 10°C .

AM—Automatic Ice Dispenser



Adaptable to limited spaces, capable of continuously producing 10kg of ice.

Nugget Ice, Cube Ice, Half Cube Ice

Avoid contact between the cup rim and barrier, ensuring greater hygienic and clean.



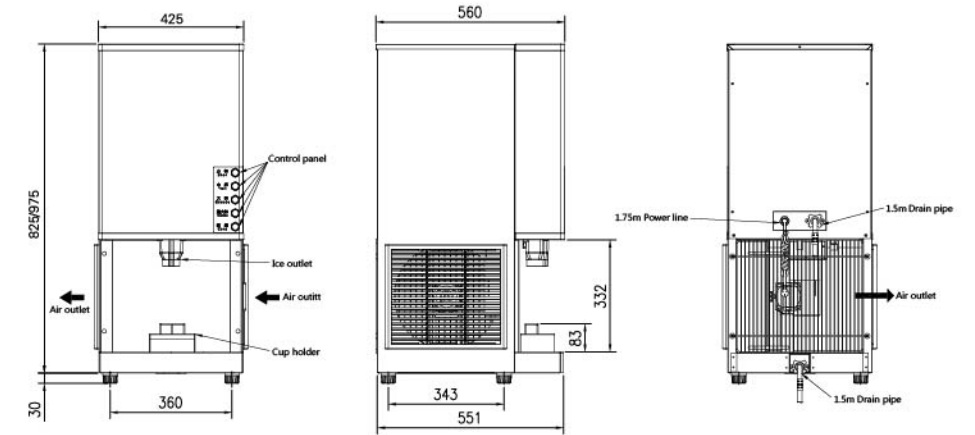
Tailored to customer requirements with stainless steel or painted cabinet, addressing issues of no water inlet/drainage.

The drain tray at the front of the machine is easy to remove and clean.

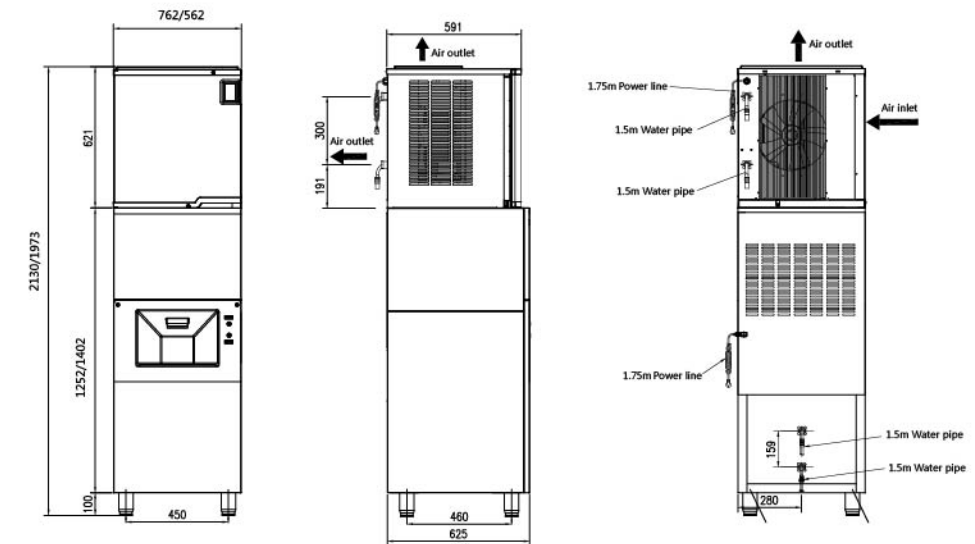
Hygienic and Convenient Automatic Ice Maker — *Bring you unique user Experience.*



AM-350/450



AM-500/700



Model	Production (lbs/kg)	Storage Capacity (lbs/kg)	Power	Ice Type	Cooling	Refrigerant	Dimensions W*D*H(mm)
AM-350	330 lbs/150Kg	11 lbs/5Kg	660W	Nugget	Air	R290	425 × 600 × (800+30)
AM-450	440 lbs/200Kg	22 lbs/10Kg	830W	Nugget	Air	R290	425 × 600 × (950+30)
AM-500	485 lbs/220Kg	132 lbs/60Kg	950W	Cube/1/2	Air/Water	R410A	560 × 860 × (1985+150)
AM-700	705 lbs/320Kg	198 lbs/90Kg	1150W	Cube/1/2	Air/Water	R410A	760 × 860 × (2185+150)

Note: AM series testing condition: 15°C and 10°C .

HISAKAGE[®] Refrigerator



Brand
Compressor



Defrosting water
evaporates
automatically



Intellectual
temperature
control



Automatic Door
Closure
and Standby
Function



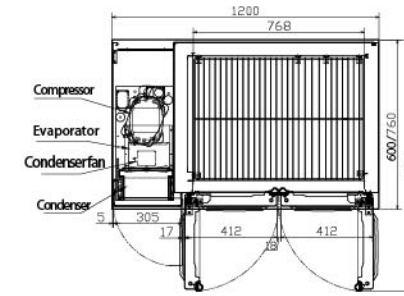
Internal rounded
corner design



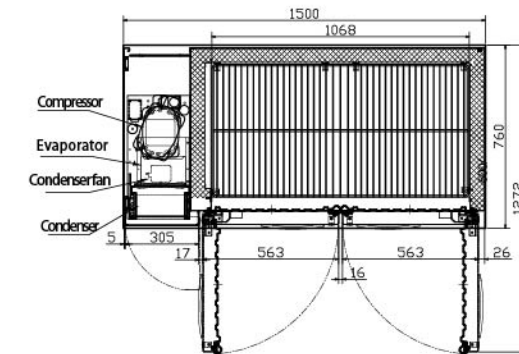
E—201 Static Cooling Refrigerator



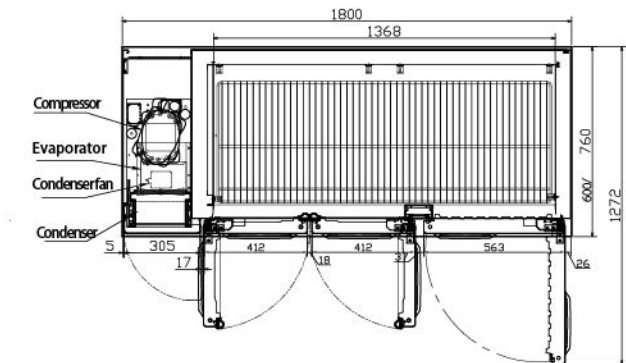
LREP-120/LFEP-120



LREP-150/LFEP-150



LREP-180/LFEP-180



HISAKAGE

Your ideal choice for commercial refrigerator.

Model	Function	Capacity (L)	Temperature °F/°C	Shelf	Cooling	Refrigerant	Power	Dimensions W*D*H(mm)
LREP-120	R	250/200	28—59°F/-2—15°C	2	Stadic	R290	220W	1200 × 760/600 × (700+100)
LFEP-120	F	250/200	0—5°F/-18— -15°C	2	Stadic	R290	270W	1200 × 760/600 × (700+100)
LREP-150	R	350/280	28—59°F/-2—15°C	2	Stadic	R290	220W	1500 × 760/600 × (700+100)
LFEP-150	F	350/280	0—5°F/-18— -15°C	2	Stadic	R290	300W	1500 × 760/600 × (700+100)
LREP-180	R	450/360	28—59°F/-2—15°C	3	Stadic	R290	270W	1800 × 760/600 × (700+100)
LFEP-180	F	450/360	0—5°F/-18— -15°C	3	Stadic	R290	300W	1800 × 760/600 × (700+100)
SREP-70	R	500	28—59°F/-2—15°C	3	Stadic	R290	260W	700 × 760 × (1900+100)
SFEP-70	F	500	0—5°F/-18— -15°C	3	Stadic	R290	400W	700 × 760 × (1900+100)
CT-SEP-70	R/F	450	32—59°F/0—5°F/0—15°C/-18— -15°C	2	Stadic	R290	580W	700 × 760 × (1900+100)
SREP-120	R	1000	28—59°F/-2—15°C	6	Stadic	R290	460W	1200 × 760 × (1900+100)
SFEP-120	F	1000	0—5°F/-18— -15°C	6	Stadic	R290	620W	1200 × 760 × (1900+100)
CT-SEP-120	R/F	950	32—59°F/0—5°F/0—15°C/-18— -15°C	6	Stadic	R290	750W	1200 × 760 × (1900+100)
SREP-180	R	1500	28—59°F/-2—15°C	9	Stadic	R290	760W	1800 × 760 × (1900+100)
SFEP-180	F	1500	0—5°F/-18— -15°C	9	Stadic	R290	850W	1800 × 760 × (1900+100)
CT-SEP-180	R/F	1400	32—59°F/0—5°F/0—15°C/-18— -15°C	9	Stadic	R290	1080W	1800 × 760 × (1900+100)

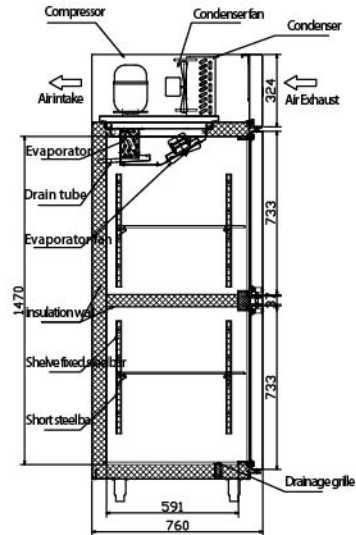
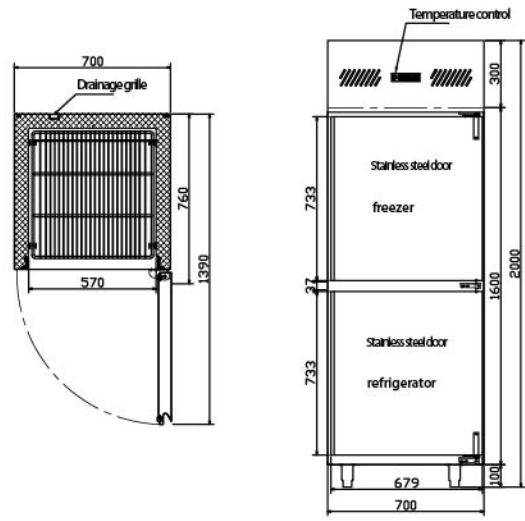
Note:L=Under counter type,S=Upright type,R=Refrigerator,F=Freezer,P=Stainless steel door,CT=Dual Temp,D=Static Cooling.



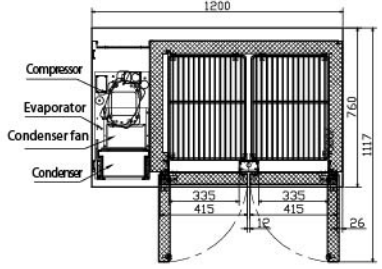
C—201 Air Cooling Refrigerator



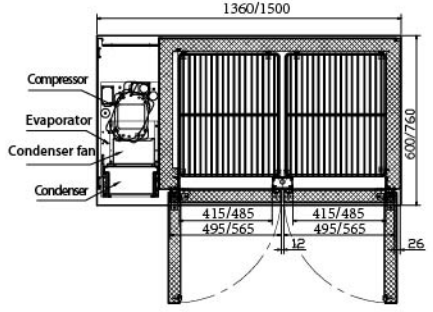
CT-SEP-70



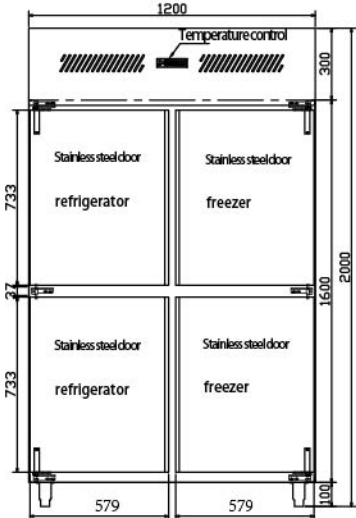
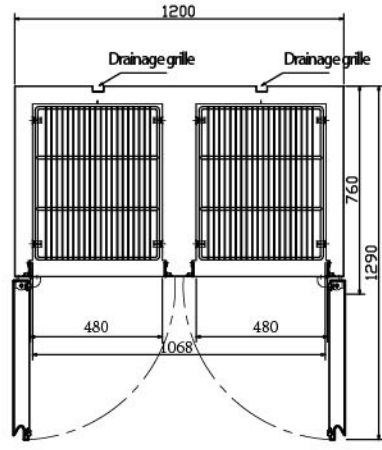
LRCP-120/LFCP-120



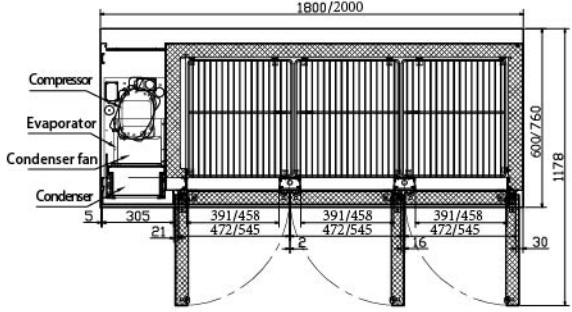
LRCP-136/150/LFCP-136/150



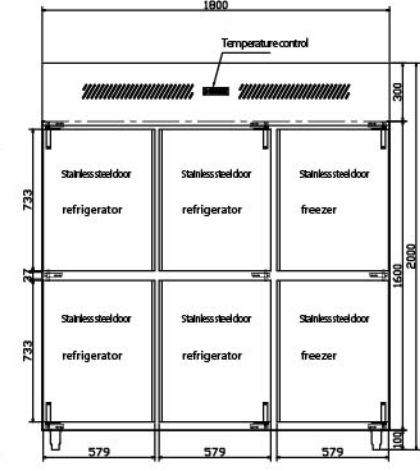
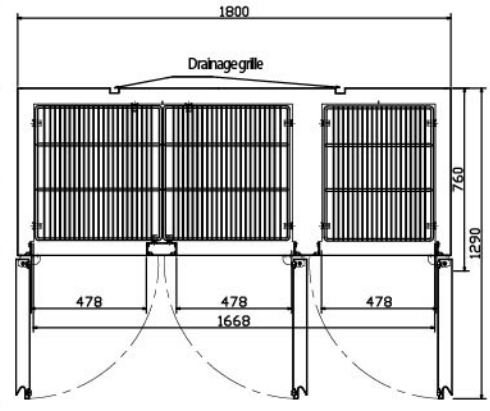
CT-SEP-120



LRCP-180/200/LFCP-180/200



CT-SEP-180



Model	Function	Capacity (L)	Temperature °F/°C	Shelf	Cooling	Refrigerant	Power	Dimensions W*D*H(mm)
LRCP-120	R	250/200	21-59°F/-6-15°C	2	Air	R290	270W	1200 x 760/600 x (700+100)
LFCP-120	F	250/200	-8-0°F/-22- -18°C	2	Air	R290	300W	1200 x 760/600 x (700+100)
LRCP-136	R	280/230	21-59°F/-6-15°C	2	Air	R290	270W	1360 x 760/600 x (700+100)
LFCP-136	F	280/230	-8-0°F/-22- -18°C	2	Air	R290	300W	1360 x 760/600 x (700+100)
LRCP-150	R	350/280	21-59°F/-6-15°C	2	Air	R290	320W	1500 x 760/600 x (700+100)
LFCP-150	F	350/280	-8-0°F/-22- -18°C	2	Air	R290	450W	1500 x 760/600 x (700+100)
LRCP-180	R	450/360	21-59°F/-6-15°C	3	Air	R290	320W	1800 x 760/600 x (700+100)
LFCP-180	F	450/360	-8-0°F/-22- -18°C	3	Air	R290	450W	1800 x 760/600 x (700+100)
LRCP-200	R	500/400	21-59°F/-6-15°C	3	Air	R290	380W	2000 x 760/600 x (700+100)
LFCP-200	F	500/400	-8-0°F/-22- -18°C	3	Air	R290	520W	2000 x 760/600 x (700+100)
SRCP-70	R	500	21-59°F/-6-15°C	3	Air	R290	270W	700 x (760+50) x (1900+100)
SFCP-70	F	500	-8-0°F/-22- -18°C	3	Air	R290	420W	700 x (760+50) x (1900+100)
CT-SCP-70	R/F	450	32-59°F/-8-0°F/0-15°C/-22- -18°C	2	Air	R290	580W	700 x (760+50) x (1900+100)
SRCP-120	R	1000	21-59°F/-6-15°C	6	Air	R290	480W	1200 x (760+50) x (1900+100)
SFCP-120	F	1000	-8-0°F/-22- -18°C	6	Air	R290	720W	1200 x (760+50) x (1900+100)
CT-SCP-120	R/F	950	32-59°F/-8-0°F/0-15°C/-22- -18°C	6	Air	R290	800W	1200 x (760+50) x (1900+100)
SRCP-140	R	1150	21-59°F/-6-15°C	6	Air	R290	520W	1400 x (760+50) x (1900+100)
SFCP-140	F	1150	-8-0°F/-22- -18°C	6	Air	R290	780W	1400 x (760+50) x (1900+100)
CT-SCP-140	R/F	1050	32-59°F/-8-0°F/0-15°C/-22- -18°C	6	Air	R290	850W	1400 x (760+50) x (1900+100)
SRCP-180	R	1500	21-59°F/-6-15°C	9	Air	R290	780W	1800 x (760+50) x (1900+100)
SFCP-180	F	1500	-8-0°F/-22- -18°C	9	Air	R290	1050W	1800 x (760+50) x (1900+100)
CT-SCP-180	R/F	1400	32-59°F/-8-0°F/0-15°C/-22- -18°C	9	Air	R290	1080W	1800 x (760+50) x (1900+100)

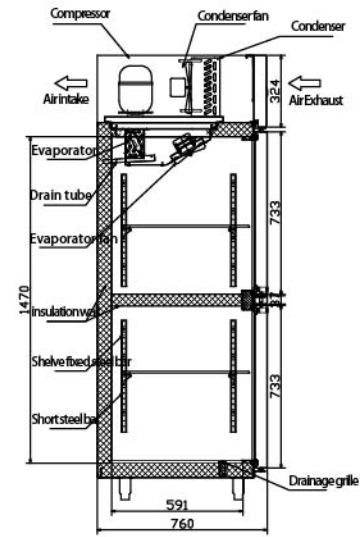
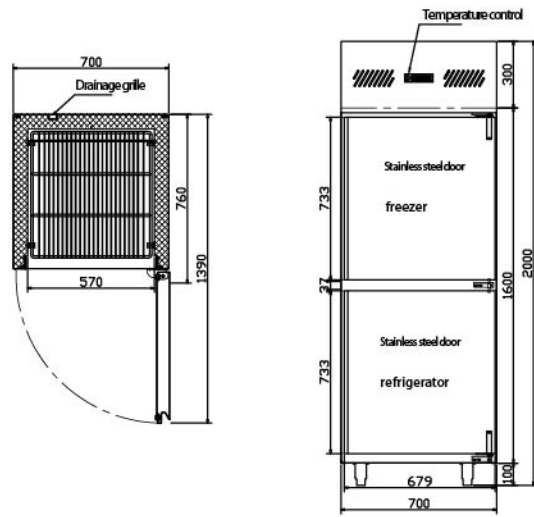
Note: L=Under counter, S=Upright refrigerator, R=Refrigerator, F=Freezer, P=Stainless steel door, CT=Dual Temp, A=Air Cooling.



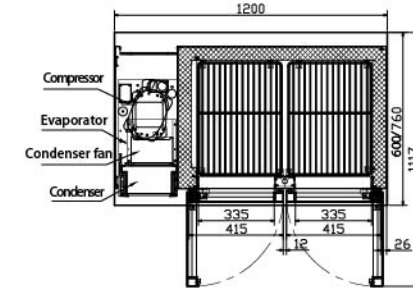
CG—201 Air Cooling Glass Door Refrigerator



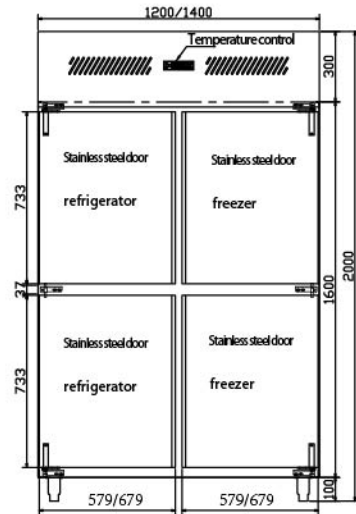
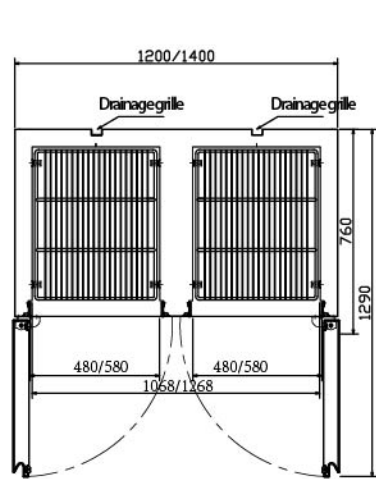
CT-SCP-70



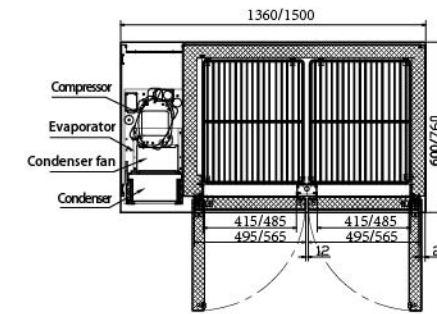
LRCG-120



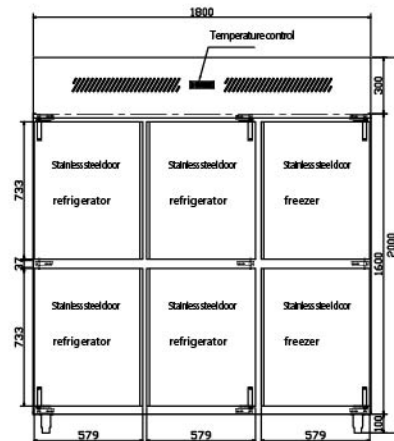
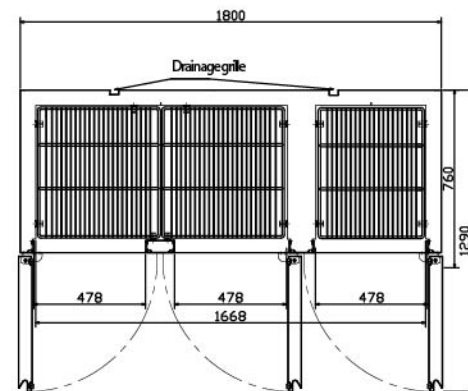
CT-SCP-120/CT-SCP-140



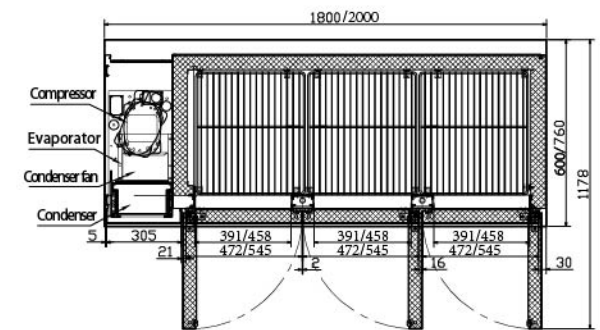
LRCG-136/LRCG-150



CT-SCP-180



LRCG-180/LRCG-200



Model	Function	Capacity (L)	Temperature F/°C	Shelf	Cooling	Refrigerant	Power	Dimensions W*D*H(mm)
LRCG-120	R	250/200	28—59°F/-2—15°C	2	Air	R290	280W	1200 × 760/600 × (700+100)
LRCG-136	R	280/230	28—59°F/-2—15°C	2	Air	R290	280W	1360 × 760/600 × (700+100)
LRCG-150	R	350/280	28—59°F/-2—15°C	2	Air	R290	340W	1500 × 760/600 × (700+100)
LRCG-180	R	450/360	28—59°F/-2—15°C	3	Air	R290	420W	1800 × 760/600 × (700+100)
LRCG-200	R	500/400	28—59°F/-2—15°C	3	Air	R290	420W	2000 × 760/600 × (700+100)
SRCG-70	R	500	28—59°F/-2—15°C	3	Air	R290	400W	700 × (760+50) × (1900+100)
SRCG-120	R	1000	28—59°F/-2—15°C	6	Air	R290	640W	1200 × (760+50) × (1900+100)
SRCG-140	R	1150	28—59°F/-2—15°C	6	Air	R290	680W	1400 × (760+50) × (1900+100)
SRCG-180	R	1500	28—59°F/-2—15°C	9	Air	R290	850W	1800 × (760+50) × (1900+100)

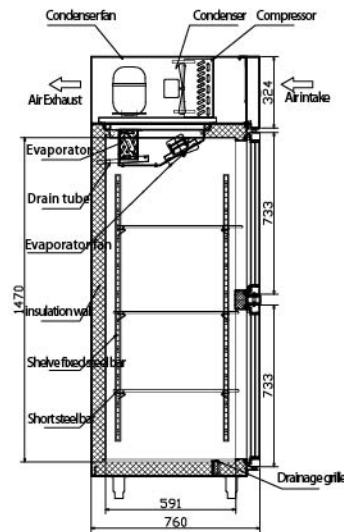
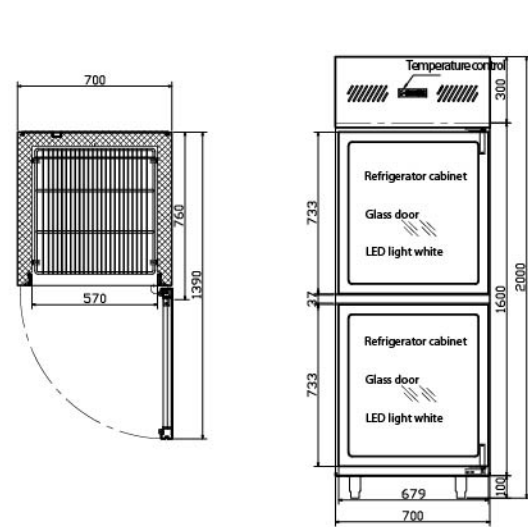
Note:L=Under counter,S=Upright refrigerator,G=Glass door,A=Air cooling.



CB—201 Air Cooling Bakery Refrigerator



SRCG-70



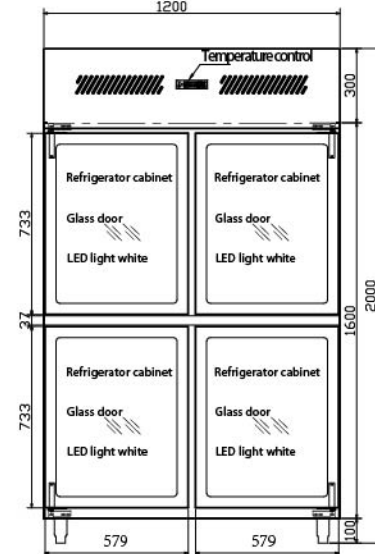
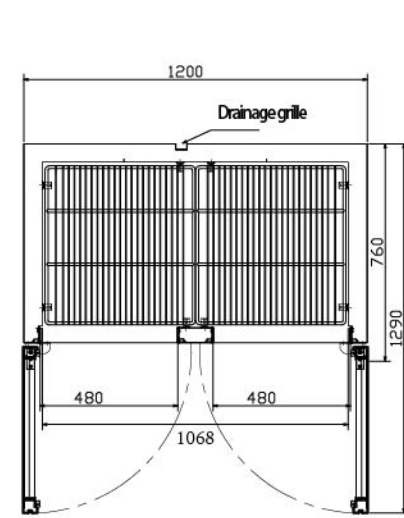
CB-150 R/F



CB-200 R/F



SRCG-120



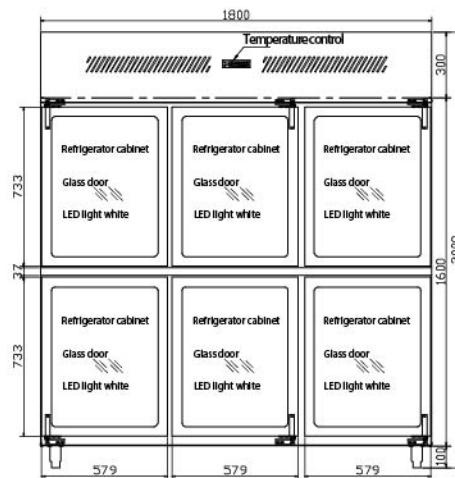
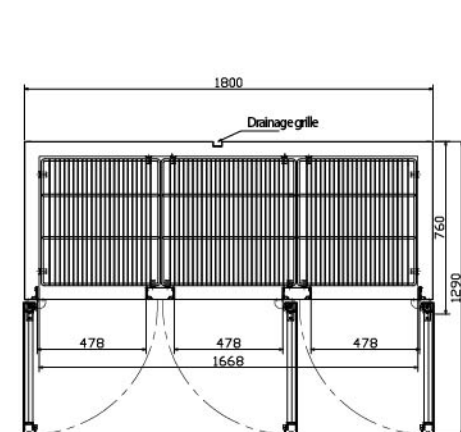
CB-120 R/F



CB-180 R/F



SRCG-180



Model	Function	Capacity (L)	Temperature F/C	Cooling	Refrigerant	Power	Dimensions W*D*H(mm)
CB-150R	R	10/layers	21—59°F/-6—15°C	Air	R290	320W	1500 × 800 × (700+100)
CB-150F	F	10/layers	-8—0°F/-22— -18°C	Air	R290	450W	1500 × 800 × (700+100)
CB-200R	R	15/layers	21—59°F/-6—15°C	Air	R290	380W	2000 × 800 × (700+100)
CB-200F	F	15/layers	-8—0°F/-22— -18°C	Air	R290	520W	2000 × 800 × (700+100)
CB-70R	R	11/layers	21—59°F/-6—15°C	Air	R290	320W	700 × 800 × (1900+100)
CB-70F	F	11/layers	-8—0°F/-22— -18°C	Air	R290	460W	700 × 800 × (1900+100)
CB-70RF	RF	11/layers	32—59°F/-8—0°F/0—15°C/-22— -18°C	Air	R290	530W	700 × 800 × (1900+100)
CB-120R	R	22/layers	21—59°F/-6—15°C	Air	R290	480W	1200 × 800 × (1900+100)
CB-120F	F	22/layers	-8—0°F/-22— -18°C	Air	R290	760W	1200 × 800 × (1900+100)
CB-120RF	RF	22/layers	32—59°F/-8—0°F/0—15°C/-22— -18°C	Air	R290	800W	1200 × 800 × (1900+100)
CB-180R	R	32/layers	21—59°F/-6—15°C	Air	R290	850W	1800 × 800 × (1900+100)
CB-180F	F	32/layers	-8—0°F/-22— -18°C	Air	R290	1100W	1800 × 800 × (1900+100)
CB-180RF	RF	32/layers	32—59°F/-8—0°F/0—15°C/-22— -18°C	Air	R290	1080W	1800 × 800 × (1900+100)

Note:R=Refrigerator,F=Freezer,A=Air cooling.

CS—201 Air Cooling Salad Refrigerator



CS-150W



CS-180W

Model	Function	Capacity (L)	Temperature F/°C	Cooling	Refrigerant	Power	Dimensions W*D*H(mm)
CS-120P	R	250/200	28—59°F/-2—15°C	Air	R290	300W	1200 × 760/600 × (700+100)
CS-120W	R	250/200	28—59°F/-2—15°C	Air	R290	300W	1200 × 760/600 × (700+100)
CS-150P	R	350/280	28—59°F/-2—15°C	Air	R290	350W	1500 × 760/600 × (700+100)
CS-150W	R	350/280	28—59°F/-2—15°C	Air	R290	350W	1500 × 760/600 × (700+100)
CS-180P	R	450/360	28—59°F/-2—15°C	Air	R290	400W	1800 × 760/600 × (700+100)
CS-180W	R	450/360	28—59°F/-2—15°C	Air	R290	400W	1800 × 760/600 × (700+100)

Note:R=Refrigerator,A=Air cooling.

CW—201 Air Cooling Wall-mounted, Sliding Door Cabinet



CW-120T



CW-150

Model	Function	Capacity (L)	Temperature F/°C	Cooling	Refrigerant	Power	Dimensions W*D*H(mm)
CW-120	R	120	28—59°F/-2—15°C	Air	R290	280W	1200 × 500 × 500
CW-150	R	160	28—59°F/-2—15°C	Air	R290	325W	1500 × 500 × 500
CW-180	R	200	28—59°F/-2—15°C	Air	R290	350W	1800 × 500 × 500

Note: Note: R=Refrigerator,T=Customized.

CP—201 Air Cooling Pizza Refrigerator



CP-150T



CP-180T

Model	Function	Capacity (L)	Temperature F/°C	Cooling	Refrigerant	Power	Dimensions W*D*H(mm)
CP-150	R	350/380	28—59°F/-2—15°C	Air	R290	350W	1500 × 760/800 × (800+256)
CP-180	R	450/480	28—59°F/-2—15°C	Air	R290	400W	1800 × 760/800 × (800+256)
CP-200	R	600	28—59°F/-2—15°C	Air	R290	450W	2000 × 880 × (800+245)

Note:R=Refrigerator,A=Air cooling,T=Customized.

CL—201 Air Cooling Chef base



CL-150-T4



CL-180

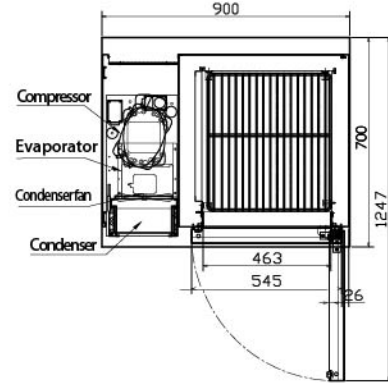
Model	Function	Capacity (L)	Temperature F/°C	Cooling	Refrigerant	Power	Dimensions W*D*H(mm)
CL-150	R	240/190	28—59°F/-2—15°C	Air	R290	280W	1500 × 760/600 × (480+70)
CL-180	R	300/240	28—59°F/-2—15°C	Air	R290	325W	1800 × 760/600 × (480+70)
CL-225	R	370/300	28—59°F/-2—15°C	Air	R290	350W	2250 × 760/600 × (480+70)

Note:R=Refrigerator,A=Air cooling.

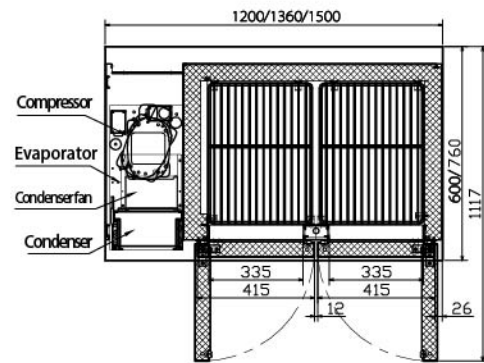
V—304 Air Cooling Refrigerator



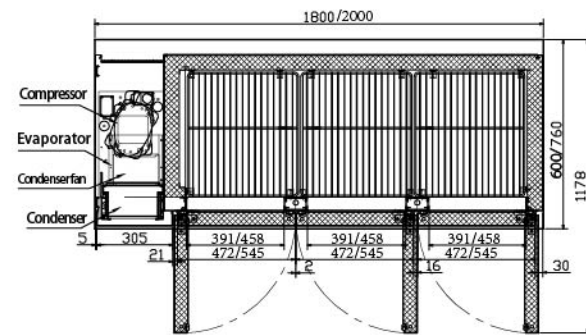
LRVP-90/LFVP-90



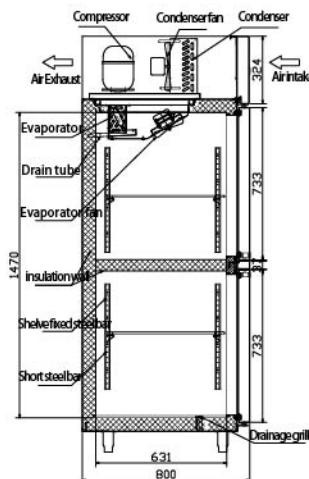
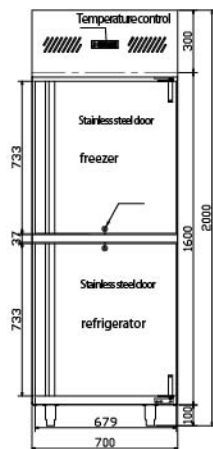
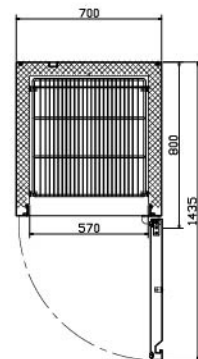
LRVP-120/136/150/LFVP-120/136/150



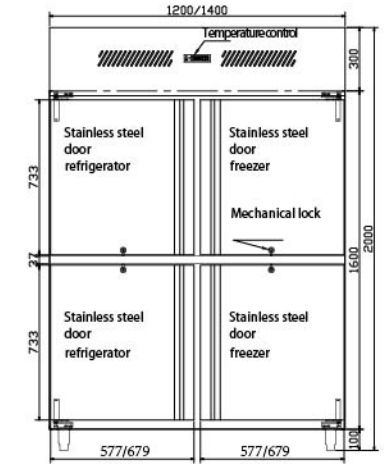
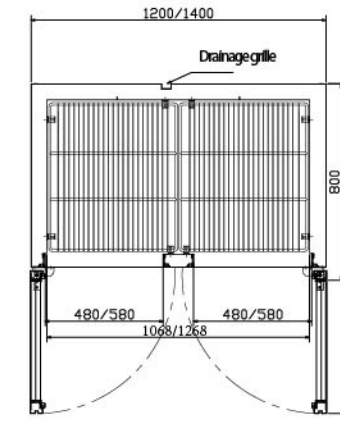
LRVP-180/200/LFVP-180/200



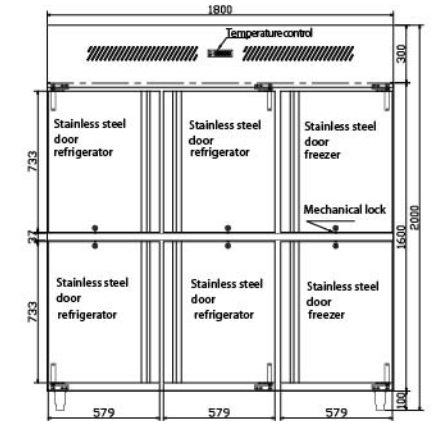
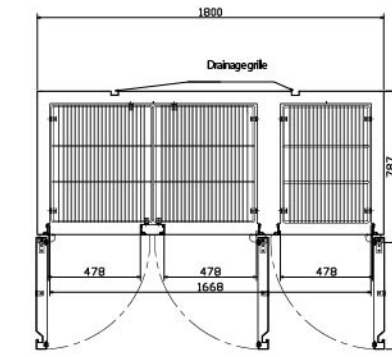
CT-SVP-70



CT-SVP-120/CT-SVP-140



CT-SVP-180



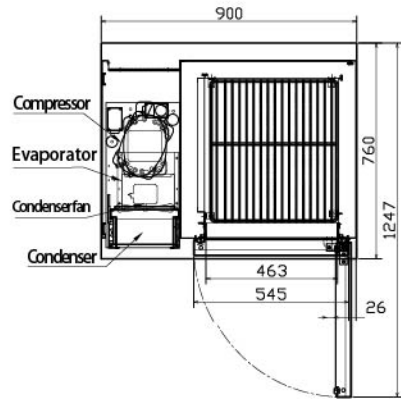
Model	Function	Capacity (L)	Temperature °F/°C	Shelf	Cooling	Refrigerant	Power	Dimensions W*D*H(mm)
LRVP-90	R	180	21-59°F/-6-15°C	1	Air	R290	260W	900 × 700 × (700+30)
LFVP-90	F	180	-8-0°F/-22- -18°C	1	Air	R290	320W	900 × 700 × (700+30)
LRVP-120	R	250/200	21-59°F/-6-15°C	2	Air	R290	270W	1200 × 760/600 × (700+100)
LFVP-120	F	250/200	-8-0°F/-22- -18°C	2	Air	R290	300W	1200 × 760/600 × (700+100)
LRVP-136	R	280/230	21-59°F/-6-15°C	2	Air	R290	270W	1360 × 760/600 × (700+100)
LFVP-136	F	280/230	-8-0°F/-22- -18°C	2	Air	R290	300W	1360 × 760/600 × (700+100)
LRVP-150	R	350/280	21-59°F/-6-15°C	2	Air	R290	320W	1500 × 760/600 × (700+100)
LFVP-150	F	350/280	-8-0°F/-22- -18°C	2	Air	R290	450W	1500 × 760/600 × (700+100)
LRVP-180	R	450/360	21-59°F/-6-15°C	3	Air	R290	320W	1800 × 760/600 × (700+100)
LFVP-180	F	450/360	-8-0°F/-22- -18°C	3	Air	R290	450W	1800 × 760/600 × (700+100)
LRVP-200	R	500/400	21-59°F/-6-15°C	3	Air	R290	380W	2000 × 760/600 × (700+100)
LFVP-200	F	500/400	-8-0°F/-22- -18°C	3	Air	R290	580W	2000 × 760/600 × (700+100)
SRVP-70	R	500	21-59°F/-6-15°C	3	Air	R290	200W	700 × 800 × (1900+100)
SFVP-70	F	500	-8-0°F/-22- -18°C	3	Air	R290	420W	700 × 800 × (1900+100)
CT-SVP-70	R/F	450	32-59°F/-8-0°F/0-15°C/-22- -18°C	2	Air	R290	580W	700 × 800 × (1900+100)
SRVP-120	R	1000	21-59°F/-6-15°C	6	Air	R290	480W	1200 × 800 × (1900+100)
SFVP-120	F	1000	-8-0°F/-22- -18°C	6	Air	R290	720W	1200 × 800 × (1900+100)
CT-SVP-120	R/F	950	32-59°F/-8-0°F/0-15°C/-22- -18°C	6	Air	R290	800W	1200 × 800 × (1900+100)
SRVP-140	R	1150	21-59°F/-6-15°C	6	Air	R290	520W	1400 × 800 × (1900+100)
SFVP-140	F	1150	-8-0°F/-22- -18°C	6	Air	R290	780W	1400 × 800 × (1900+100)
CT-SVP-140	R/F	1050	32-59°F/-8-0°F/0-15°C/-22- -18°C	6	Air	R290	850W	1400 × 800 × (1900+100)
SRVP-180	R	1500	21-59°F/-6-15°C	9	Air	R290	780W	1800 × 800 × (1900+100)
SFVP-180	F	1500	-8-0°F/-22- -18°C	9	Air	R290	1050W	1800 × 800 × (1900+100)
CT-SVP-180	R/F	1400	32-59°F/-8-0°F/0-15°C/-22- -18°C	9	Air	R290	1080W	1800 × 800 × (1900+100)

Note:L= Under counter type,S=Upright refrigerator,R=Refrigerator,F=Freezer,P=Stainless steel door,CT=Dual temp,A=Air cooling.

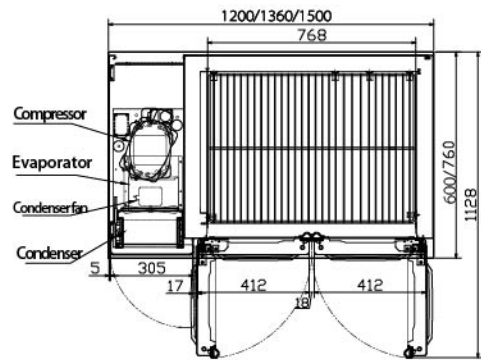
VG—304 Air Cooling Glass Door Refrigerator



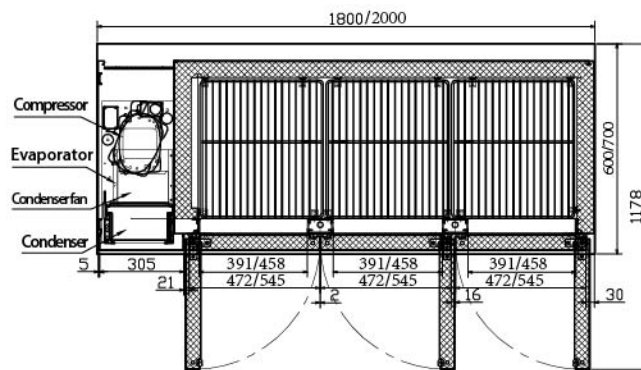
LRVG-90



LRVG-120/LRVG-136//LRVP-150



LRVG-180/LRVG-200

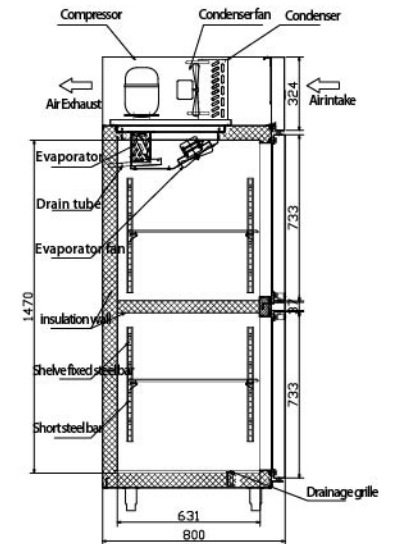
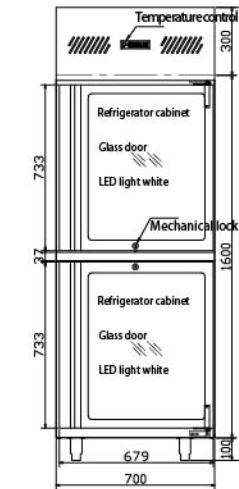
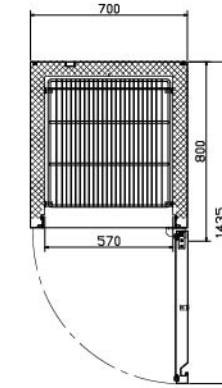


Model	Function	Capacity (L)	Temperature °F/°C	Shelf	Cooling	Power	Dimensions W*D*H(mm)
LRVG-90	R	220	28—59°F/-2—15°C	1	Air	270W	900 × 700 × (700+100)
LRVG-120	R	250/200	28—59°F/-2—15°C	2	Air	280W	1200 × 760/600 × (700+100)
LRVG-136	R	280/230	28—59°F/-2—15°C	2	Air	280W	1360 × 760/600 × (700+100)
LRVG-150	R	350/280	28—59°F/-2—15°C	2	Air	340W	1500 × 760/600 × (700+100)
LRVG-180	R	450/360	28—59°F/-2—15°C	3	Air	420W	1800 × 760/600 × (700+100)
LRVG-200	R	500/400	28—59°F/-2—15°C	3	Air	420W	2000 × 760/600 × (700+100)
SRVG-70	R	500	28—59°F/-2—15°C	3	Air	400W	700 × 800 × (1900+100)
SRVG-120	R	1000	28—59°F/-2—15°C	6	Air	640W	1200 × 800 × (1900+100)
SRVG-140	R	1150	28—59°F/-2—15°C	6	Air	680W	1400 × 800 × (1900+100)
SRVG-180	R	1500	28—59°F/-2—15°C	9	Air	850W	1800 × 800 × (1900+100)

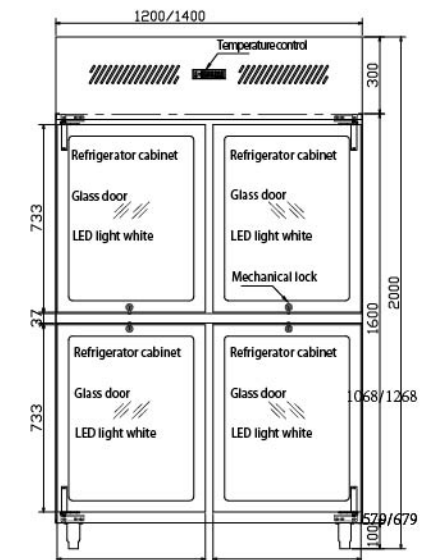
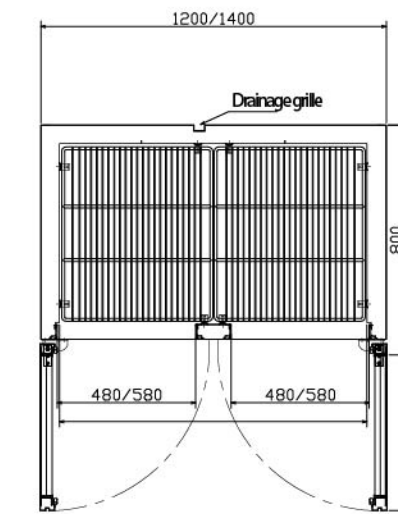
Note:L= Under counter type,S=Upright refrigerator,R=Refrigerator,G=Glass door,A=Air cooling.



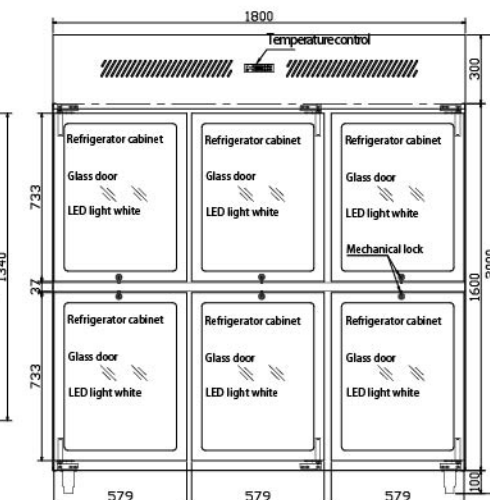
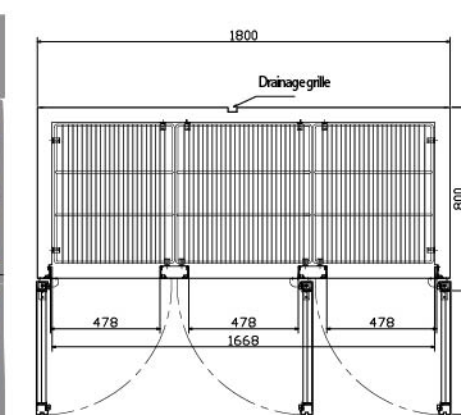
SRVG-70



SRVG-120/SRVG-140



SRVG-180



BC—304 Air Cooling Bar Glass Door Refrigerator



BC-90



BC-135

Model	Function	Capacity (L)	Temperature °F/°C	Cooling	Refrigerant	Power	Dimensions W*D*H(mm)
BC-60	R	100	28—59°F/-2—15°C	Air	R290	270W	600 × 500 × 780
BC-90	R	150	28—59°F/-2—15°C	Air	R290	320W	900 × 500 × 780
BC-135	R	200	28—59°F/-2—15°C	Air	R290	350W	1350 × 500 × 780

Note:R=Refrigerator,A=Air cooling.

BH—304 Air Cooling Open Kitchen Refrigerator



BH-104 R/F



BH-155 R/F

Model	Function	Capacity (L)	Temperature °F/°C	Cooling	Refrigerant	Power	Dimensions W*D*H(mm)
BH-104R	R	220	21—59°F/-6—15°C	Air	R290	280W	1040 × 660 × 750
BH-104F	F	220	-8—0°F/-22— -18°C	Air	R290	440W	1040 × 660 × 750
BH-155R	R	320	21—59°F/-6—15°C	Air	R290	320W	1555 × 660 × 750
BH-155F	F	320	-8—0°F/-22— -18°C	Air	R290	460W	1555 × 660 × 750
BH-207R	R	420	21—59°F/-6—15°C	Air	R290	350W	2070 × 660 × 750
BH-207F	F	420	-8—0°F/-22— -18°C	Air	R290	520W	2070 × 660 × 750

Note:R=Refrigerator,F=Freezer,A=Air cooling.

CQ—304 Air Cooling Blast Freezer



CQ-5T



CQ-8T/CQ-11T



CQ-15T

Model	Function	Capacity (L)	Temperature °F/°C	Cooling	Power	Dimensions W*D*H(mm)
CQ-5	F	5*GN1/1 Comal	-40—31°F/-40— -35°C	Air	1250W	900 × 750 × (800+50)
CQ-8	F	8*GN1/1 Comal	-40—31°F/-40— -35°C	Air	1900W	800 × 800 × (1185+100)
CQ-11	F	11*GN1/1 Comal	-40—31°F/-40— -35°C	Air	2600W	800 × 800 × (1515+100)
CQ-15	F	15*GN1/1 Comal	-40—31°F/-40— -35°C	Air	380V/3500W	800 × 800 × (1800+100)

Note:F=Freezer,A=Air cooling,CQ-15 base standard 380V.

CD—Deep Freezer



CD-140 (-45°C/-65°C)



CD-70 (-45°C/-65°C)

Model	Function	Capacity (L)	Temperature °F/°C	Cooling	Refrigerant	Power	Dimensions W*D*H(mm)
CD-90	F	300	-49/-85°F/-45/-65°C	Direct	R290	360W	905 × 750 × (805+50)
CD-140	F	450	-49/-85°F/-45/-65°C	Direct	R290	450W	1405 × 750 × (805+50)
CD-70	F	400	-49/-85°F/-45/-65°C	Direct	R290	450W	620 × 690 × (1700+100)

Note:F=Freezer,D=Static cooling.

BP—304 Air Cooling Heated Banquet Carts, mobile Refrigerator



BG—304 Air Cooling Trolley Freezer



BP-80H



BP-150H



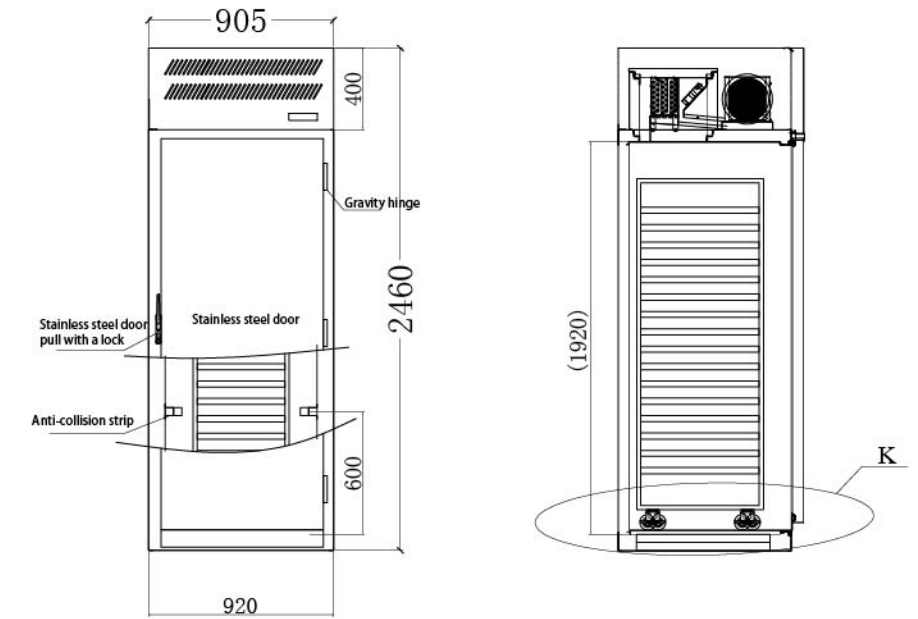
BP-80R



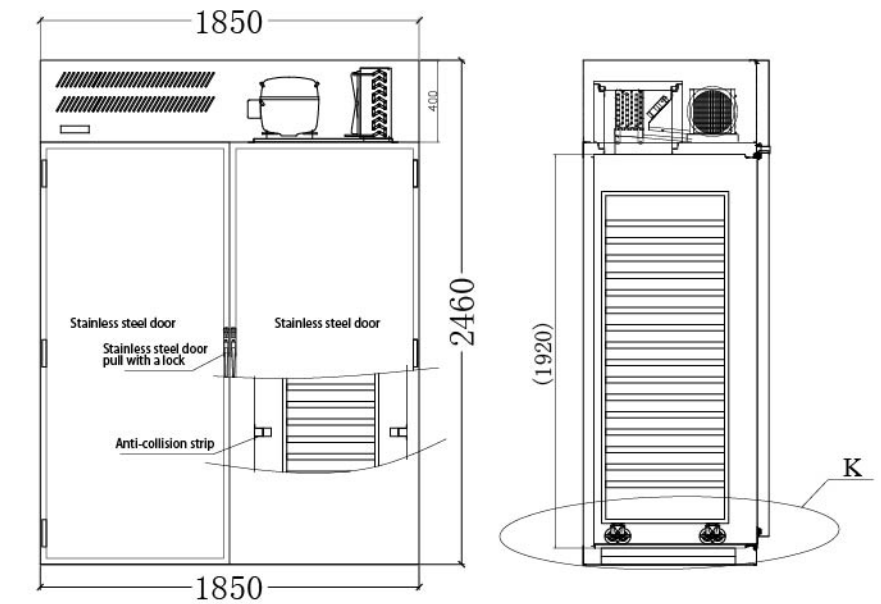
BP-150R



BG-90R/BG-90F



BG-185R/BG-185F



Model	Function	Capacity (L)	Temperature °F/°C	Cooling	Power	Dimensions W*D*H(mm)
BP-80H	H	16*GN2/1	194—140°F/90—60°C	Air	3000W	737 × 815 × (1680+100)
BP-80R	R	16*GN2/1	32—59°F/0—15°C	Air	400W	737 × 815 × (1890+100)
BP-150H	H	32*GN2/1	194—140°F/90—60°C	Air	3940W	1474 × 815 × (1680+100)
BP-150R	R	32*GN2/1	32—59°F/0—15°C	Air	730W	1474 × 815 × (1890+100)

Note:H=Heated,R=Refrigerator,A=Air cooling.

Model	Function	Capacity (L)	Temperature °F/°C	Cooling	Power	Dimensions W*D*H(mm)
BG-90R	R	1*GN2/1cart	21—59°F/-6—15°C	Air	750W	905 × 985 × 2460
BG-90F	F	1*GN2/1cart	-8—0°F/-22— -18°C	Air	1050W	905 × 985 × 2460
BG-185R	R	2*GN2/1cart	21—59°F/-6—15°C	Air	1250W	1850 × 985 × 2460
BG-185F	F	2*GN2/1 cart	-8—0°F/-22— -18°C	Air	1600W	1850 × 985 × 2460

Note:R=Refrigerator,F=Freezer,A=Air cooling.

HISAKAGE® Showcase



Core components are imported brands



LED Energy-Saving Lights



Intellectual temperature control



Humidity Control

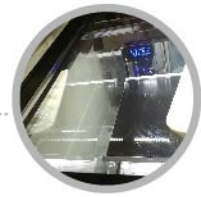


Compliant with International Certification Standards

Instructions for using display cabinets

Cake	2~6°C	Chincse wine	0~4°C	Red wine	12~18°C
Sandwich	4~8°C	Whisky	0~4°C	Saki	12~18°C
Dairy	4~8°C	beef	-5~0°C	Chocolates	12~18°C
Vegetable & Fruit	4~8°C	seafood	-5~0°C	Room temperature cabinet	20~25°C

Note: Standard temperature for display is 0~15°C. Options for medium temperature cabinets (-5~0°C), freezer cabinets (-15~-20°C) and heated cabinets (50~60°C).



Conductive films for safety



Customizable exterior materials



Featuring grooving process



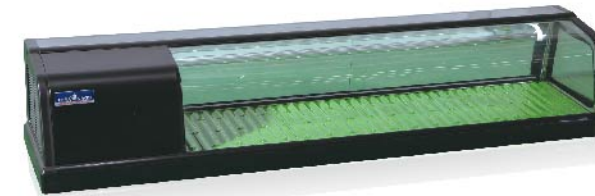
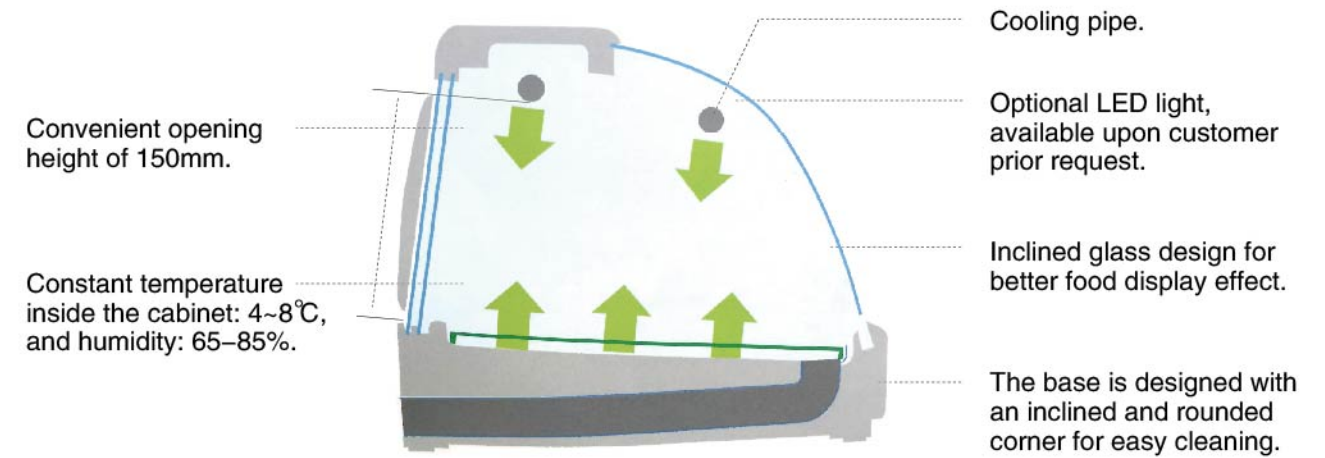
Customizable wine racks



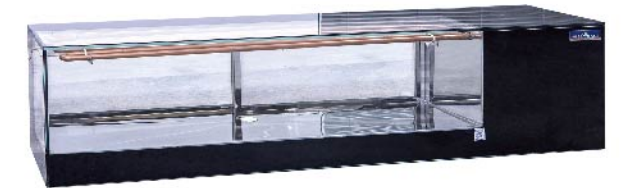
Silent Design



DS—Frozen Plate, Sushi Showcase



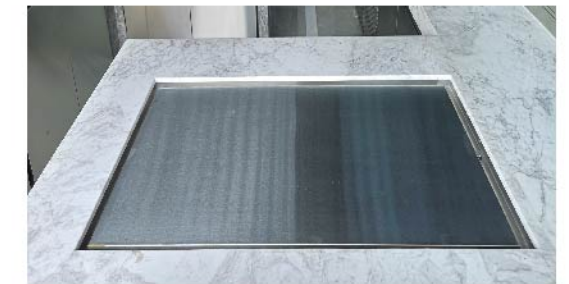
Circular sushi showcase



Rectangular sushi showcase



Ice plate



Ice plate (Sus countertop)

Model	Function	Capacity (L)	Temperature °F/°C	Cooling	Refrigerant	Power	Dimensions W*D*H(mm)
IF-100	R	Ice plate	14~50°F/-10~10°C	Stadic	R134A	200W	1000 × 550 × 90
DS-120A/L	R	1 layer	35~41°F/2~5°C	Stadic	R134A	120W	1200 × 350 × 285
DS-150A/L	R	1 layer	35~41°F/2~5°C	Stadic	R134A	160W	1500 × 350 × 285
DS-180A/L	R	1 layer	35~41°F/2~5°C	Stadic	R134A	180W	1800 × 350 × 285
DS-210A/L	R	1 layer	35~41°F/2~5°C	Stadic	R134A	200W	2100 × 350 × 285

Note: A=Arc, L= Rectangular, R=Refrigerator, D=Static cooling.

DCL—Rectangular Showcase



Marble showcase



Right-angle showcase



Ladder showcase



Right-angle cake showcase

DCA—Arc Showcase



Arc showcase



Beef showcase



4 Layers showcase



Cake showcase

Model	Function	Capacity (L)	Temperature °F/°C	Cooling	Refrigerant	Power	Dimensions W*D*H(mm)
DCL-90	R	2/3 layers	35—59°F/2—15°C	Air	R134A	650W	1000 × 550 × 90
DCL-120	R	2/3 layers	35—59°F/2—15°C	Air	R134A	650W	1200 × 350 × 285
DCL-150	R	2/3 layers	35—59°F/2—15°C	Air	R404A	800W	1500 × 350 × 285
DCL-180	R	2/3 layers	35—59°F/2—15°C	Air	R404A	1150W	1800 × 350 × 285
DCL-210	R	2/3 layers	35—59°F/2—15°C	Air	R404A	1350W	2100 × 350 × 285

Note:R=Refrigerator,A=Air cooling,standard for rear sliding door type.

Model	Function	Capacity (L)	Temperature °F/°C	Cooling	Refrigerant	Power	Dimensions W*D*H(mm)
DCA-90	R	2/3 layers	35—59°F/2—15°C	Air	R134A	650W	900 × 750 × 1250
DCA-120	R	2/3 layers	35—59°F/2—15°C	Air	R134A	650W	1200 × 750 × 1250
DCA-150	R	2/3 layers	35—59°F/2—15°C	Air	R404A	800W	1500 × 750 × 1250
DCA-180	R	2/3 layers	35—59°F/2—15°C	Air	R404A	1150W	1800 × 750 × 1250
DCA-210	R	2/3 layers	35—59°F/2—15°C	Air	R404A	1350W	2100 × 750 × 1250

Note:R=Refrigerator,A=Air cooling,standard for rear sliding door type.

DH—High Quality Showcase



High quality showcase (1 layer)



High quality showcase (1 layer)



High quality showcase (2 drawers)



High quality showcase (3 drawers)

Model	Function	Capacity (L)	Temperature °F/°C	Cooling	Refrigerant	Power	Dimensions W*D*H(mm)
DH-90	R	1 layer	35—59°F/2—15°C	Air	R134A	350W	900 × 750 × 1100
DH-120	R	1 layer	35—59°F/2—15°C	Air	R134R	350W	1200 × 750 × 1100
DH-150	R	1 layer	35—59°F/2—15°C	Air	R404A	480W	1500 × 750 × 1100
DH-180	R	1 layer	35—59°F/2—15°C	Air	R404A	480W	1800 × 750 × 1100

Note:R=Refrigerator,A=Air cooling.

DI—Ice Cream Showcase



Built-in ice cream showcase



Ladder ice cream showcase



Are ice cream showcase



Rectangular ice cream showcase

Model	Function	Capacity (L)	Temperature °F/°C	Cooling	Refrigerant	Power	Dimensions W*D*H(mm)
DI-120L	F	10*GN1/4	-13—0°F/-25— -18°C	Air	R404A	850W	1200 × 850 × 1250
DI-150L	F	12*GN1/4	-13—0°F/-25— -18°C	Air	R404A	1200W	1500 × 850 × 1250
DI-180L	F	16*GN1/4	-13—0°F/-25— -18°C	Air	R404A	1600W	1800 × 850 × 1250

Note:R=Refrigerator,A=Air cooling.

DOT—Open Showcase



DOV—High body Open Showcase



Built-in island showcase



Self-Service open showcase



Rear air curtain showcase



3 temperatures air curtain showcase



Middle open showcase



Cooked food showcase



Air curtain showcase



Combined air curtain showcase

Model	Function	Capacity (L)	Temperature °F/°C	Cooling	Refrigerant	Power	Dimensions W*D*H(mm)
DOT-120	R	1 layer	35—59°F/2—15°C	Air	R404A	650W	1200 × 750 × 950
DOT-150	R	1 layer	35—59°F/2—15°C	Air	R404A	800W	1500 × 750 × 950
DOT-180	R	1 layer	35—59°F/2—15°C	Air	R404A	1150W	1800 × 750 × 950

Note:R=Refrigerator,A=Air cooling.

Model	Function	Capacity (L)	Temperature °F/°C	Cooling	Refrigerant	Power	Dimensions W*D*H(mm)
DOV-90	R	4/5 layers	35—59°F/2—15°C	Air	R404A	850W	900 × 750 × 1900
DOV-120	R	4/5 layers	35—59°F/2—15°C	Air	R404A	1200W	1200 × 750 × 1900
DOV-150	R	4/5 layers	35—59°F/2—15°C	Air	R404A	1600W	1500 × 750 × 1900
DOV-180	R	4/5 layers	35—59°F/2—15°C	Air	R404A	2000W	1800 × 750 × 1900

Note:R=Refrigerator,A=Air cooling.