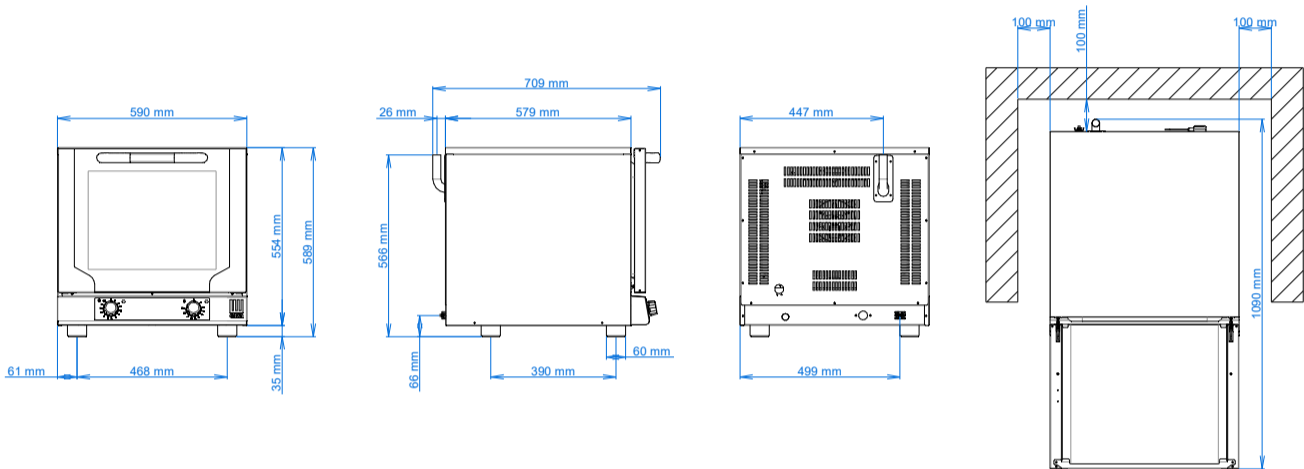


EKF 423 NP



ELECTRIC CONVECTION OVEN WITH MANUAL CONTROL



DIMENSIONAL FEATURES			
Oven dimensions (WxDxH mm)	590	709	589
Oven weight (kg)	33		
Distance between rack rails (mm)	74		

ELECTRICAL FEATURES	
Power supply (kW)	3,1
Frequency (Hz)	50/60
Voltage (Volt)	AC 220/230
N° of motors	1 Unidirectional
Boiler	/
Protection against water	/

FUNCTIONAL FEATURES	
Power	Electricity
Capacity	N° 4 trays/grids 429x345 mm
Type of cooking	Ventilated
Steam	/
Cooking chamber	AISI 430 Stainless steel
Temperature	100 - 260 °C
Temperature control	Thermostat
Control panel	Electromechanic - Lower side
N° of programs	/
Programmable cooking steps	/
Pre-heating temperature	/
Pre-heating function	/
Door	Tilt door Ventilated Inspectionable glass
Modularity	/

EQUIPMENT			
Cardboard box dimensions (WxDxH mm)	650	760	600
Aluminium tray 429x345)	4 pcs (cod. KV7)		
Lateral supports	1 right + 1 left		
Cable	Single-phase [3G 1,5]-L=1600 mm		