

Apach

COOK *line*

Catalogo parti di ricambio valido
dalla matricola 0000001 (31.10.2006) ad oggi (17.02.2023)

Catalogue pieces detachees
valable à partir du numero de Série n. 0000001 (31.10.2006) jusqu'à aujourd'hui
(17.02.2023)

Ersatzteilkatalog
gültig ab Serien-Nr. 0000001 (31.10.2006) bis heute (17.02.2023)

Spare parts catalogue
valid from serial no. 0000001 (31.10.2006) up today (17.02.2023)

Catálogo de peças de reposição
válido do número de série 0000001 (31.10.2006) até hoje (17.02.2023)

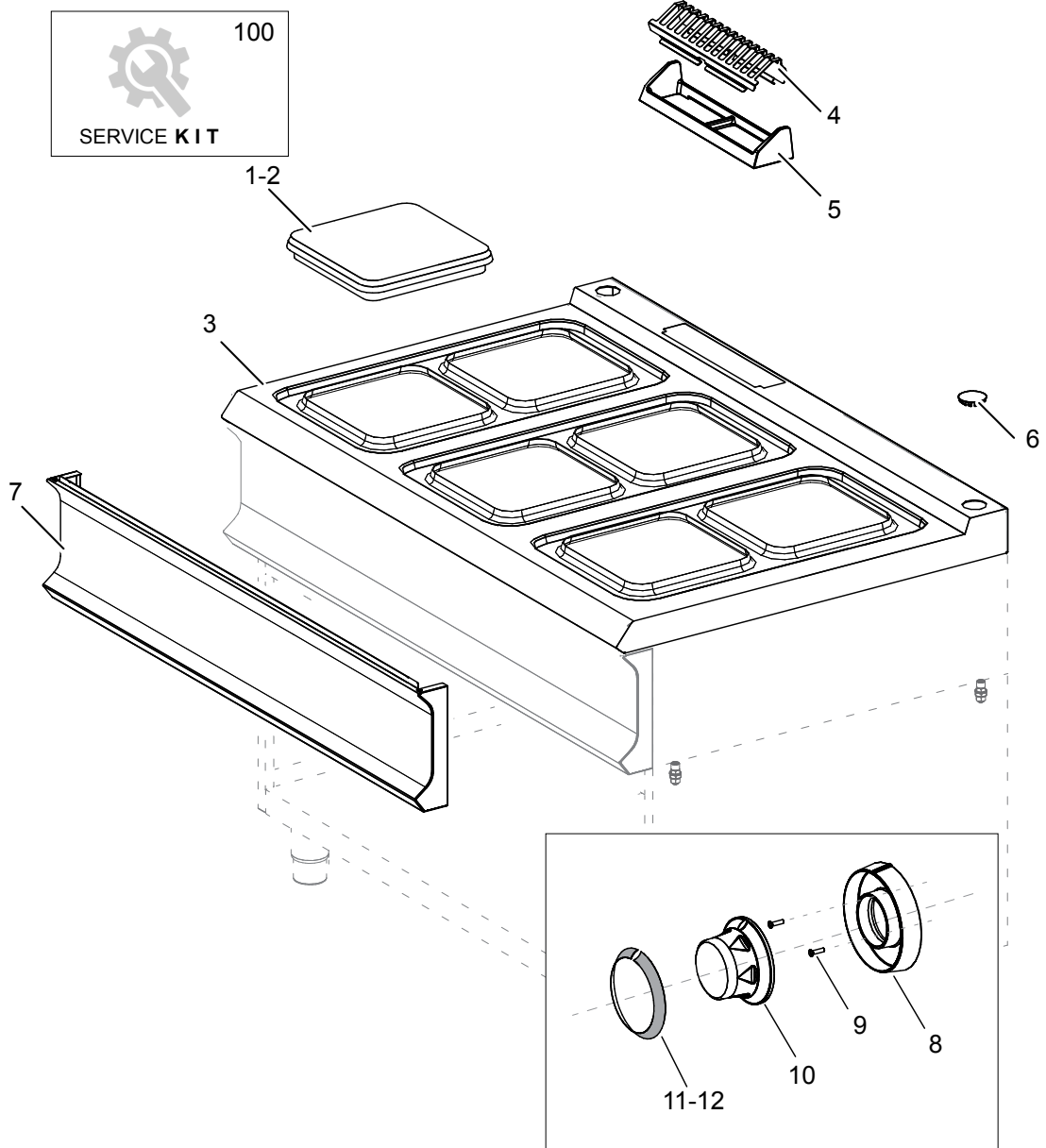
Le informazioni sono considerate non vincolanti. Le immagini rappresentate sono puramente indicative. Il produttore si riserva il diritto di apportare modifiche in qualsiasi momento senza preavviso.

Les informations données ne sont pas contraignantes. Les images montrées sont à titre indicatif. Le producteur se réserve le droit d'apporter des modifications sans préavis.

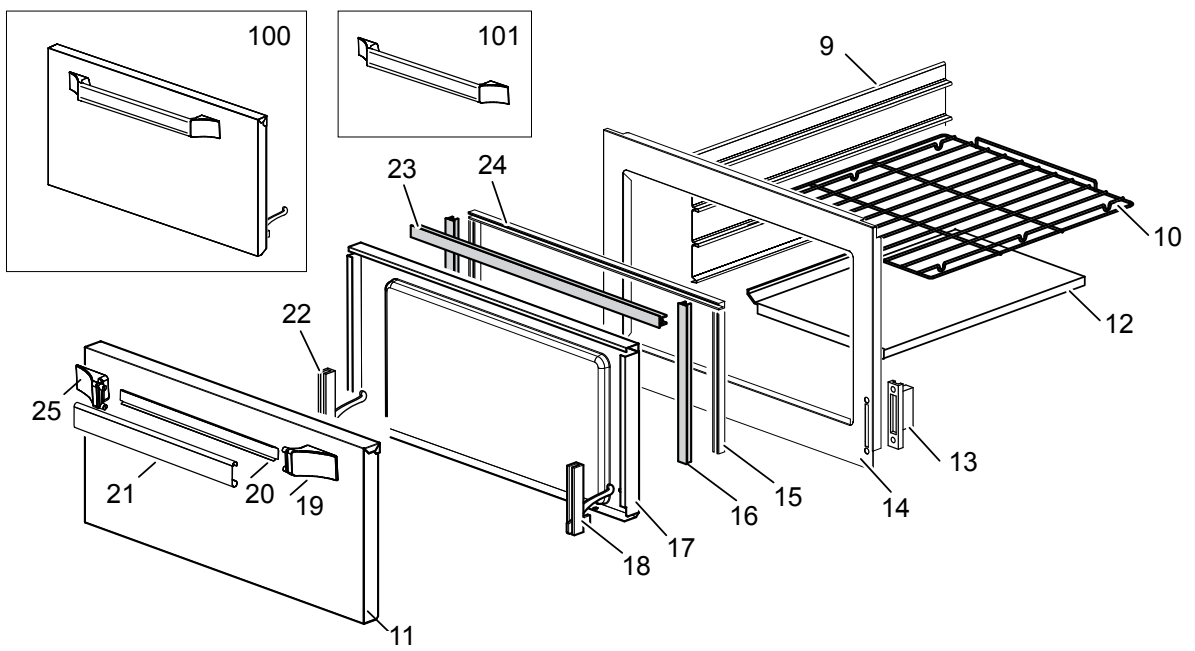
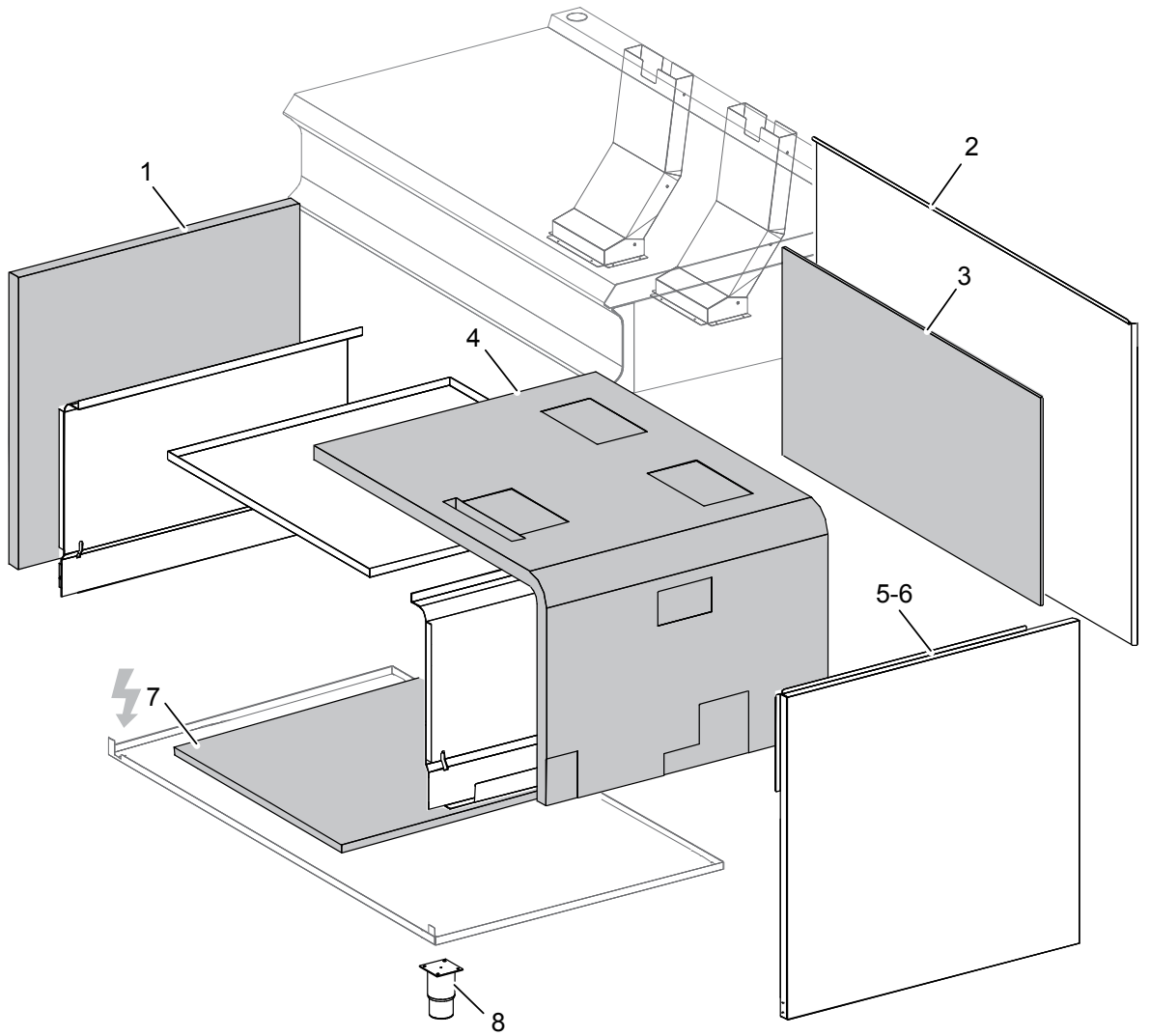
Die im vorliegenden Dokument aufgeführten Informationen und Bilder sind unverbindlich. Der Hersteller behält sich das Recht vor, jederzeit ohne vorherige Ankündigung Änderungen vorzunehmen

Info and drawing could be slightly different from reality and they cannot be considered as compelling. Manufacturer can modify info anytime without forewarning.

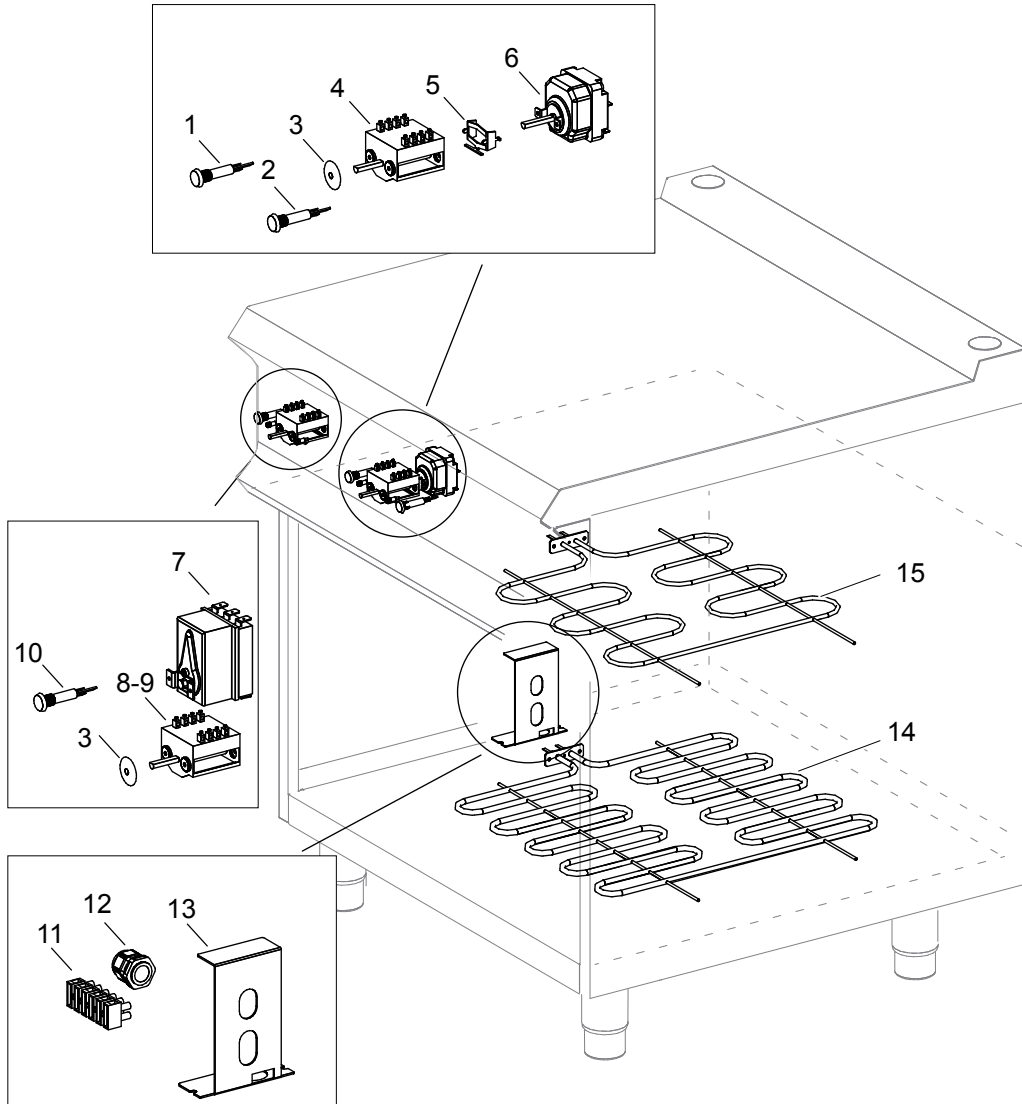
As Informações e desenhoS podem estar um pouco diferente da realidade e são puramente indicativas. O fabricante pode modificar estas informações a qualquer momento sem aviso prévio.



Nr.	Code	Title	Recommended
1.	RTCU800115	<i>ELECTRIC SQUARE PLATE 3KW</i>	✓
2.	RTCU800118	<i>ELECTRIC PLATE 4 KW</i>	✓
3.	204169	<i>WORK PLANE</i>	
4.	202046	<i>CHIMNEY GRILL</i>	
6.	200787	<i>STOPPER</i>	
7.	204164	<i>CONTROL PANEL</i>	
10.	202200	<i>COMMUTATOR KNOB</i>	
11.	200491	<i>OVEN RING</i>	
12.	200349	<i>SWITCH RING</i>	
100.	ECS9050	<i>RECOMMENDED PARTS FOR PQ912FEM</i>	



Nr.	Code	Title	Recommended
1.	180413	UPPER RIGHT INSULATING PANEL	
2.	202401	REAR HIGH	
3.	RTBF800388	REAR INSULATING PANEL	
4.	180413	UPPER RIGHT INSULATING PANEL	
5.	201556	RIGHT SIDE	
6.	201557	LEFT SIDE	
7.	174574	INSULATING PANEL	
8.	RTCU700277	FOOT	
9.	179341	OVEN LATERAL SIDE	
10.	RTCU900388	OVEN GRATE	
11.	202490	OVEN DOOR	
12.	183515	ENAMELLED OVEN SURFACE	
13.	RTCU900004	SUPPORT FOR OVEN HINGE	
14.	202494	FRONT PANEL	
15.	184105	SIDE SEAL PROFILE	✓
16.	163888	LATERAL GASKET FOR OVEN DOOR	✓
17.	202491	OVEN INNER DOOR	
18.	RTCU900396	MAXI OVEN RIGHT HINGE DOOR	✓
19.	201706	HANDLE TERMINAL	
21.	202059	HANDLE	
22.	RTCU900397	MAXI OVEN LEFT HINGE DOOR	✓
23.	163889	UPPER GASKET FOR OVEN DOOR	✓
24.	184112	GASKET HOLDER	✓
100.	RIC0005150	OVEN DOOR COMPLETE	
101.	RIC0005128	HANDLE OVEN	



Nr.	Code	Title	Recommended
1.	166465	GREEN WARNING LIGHT	✓
2.	166466	ORANGE LAMP LIGHT	✓
3.	RTCU800185	GASKET FOR COMMUTATOR ROD	✓
4.	RTCU900110	THERMOSTAT COMMUTATOR	✓
5.	RTCU900112	HIGH BRACKET COMMUTATOR/THERMOSTAT	✓
6.	RTCU900213	WORKING THERMOSTAT	✓
8.	RTCU700078	ELECTRIC PLATE COMMUTATOR	✓
9.	RTCU800151	ELECTRIC PLATE COMMUTATOR 4KW	✓
10.	166465	GREEN WARNING LIGHT	✓
11.	RTBF900045	TERMINAL BOARD	
12.	RTBF800138	CHOCK	
13.	200767	TERMINAL SUPPORT	
14.	RTCU900435	OVEN HEATING ELEMENT 2,5KW	✓
15.	RTCU900435	OVEN HEATING ELEMENT 2,5KW	✓