

# Apach

## COOK *line*

Catalogo parti di ricambio valido  
dalla matricola 0000001 (31.10.2006) ad oggi (16.02.2023)

Catalogue pieces detachees  
valable à partir du numero de Série n. 0000001 (31.10.2006) jusqu'à aujourd'hui  
(16.02.2023)

Ersatzteilkatalog  
gültig ab Serien-Nr. 0000001 (31.10.2006) bis heute (16.02.2023)

Spare parts catalogue  
valid from serial no. 0000001 (31.10.2006) up today (16.02.2023)

Catálogo de peças de reposição  
válido do número de série 0000001 (31.10.2006) até hoje (16.02.2023)

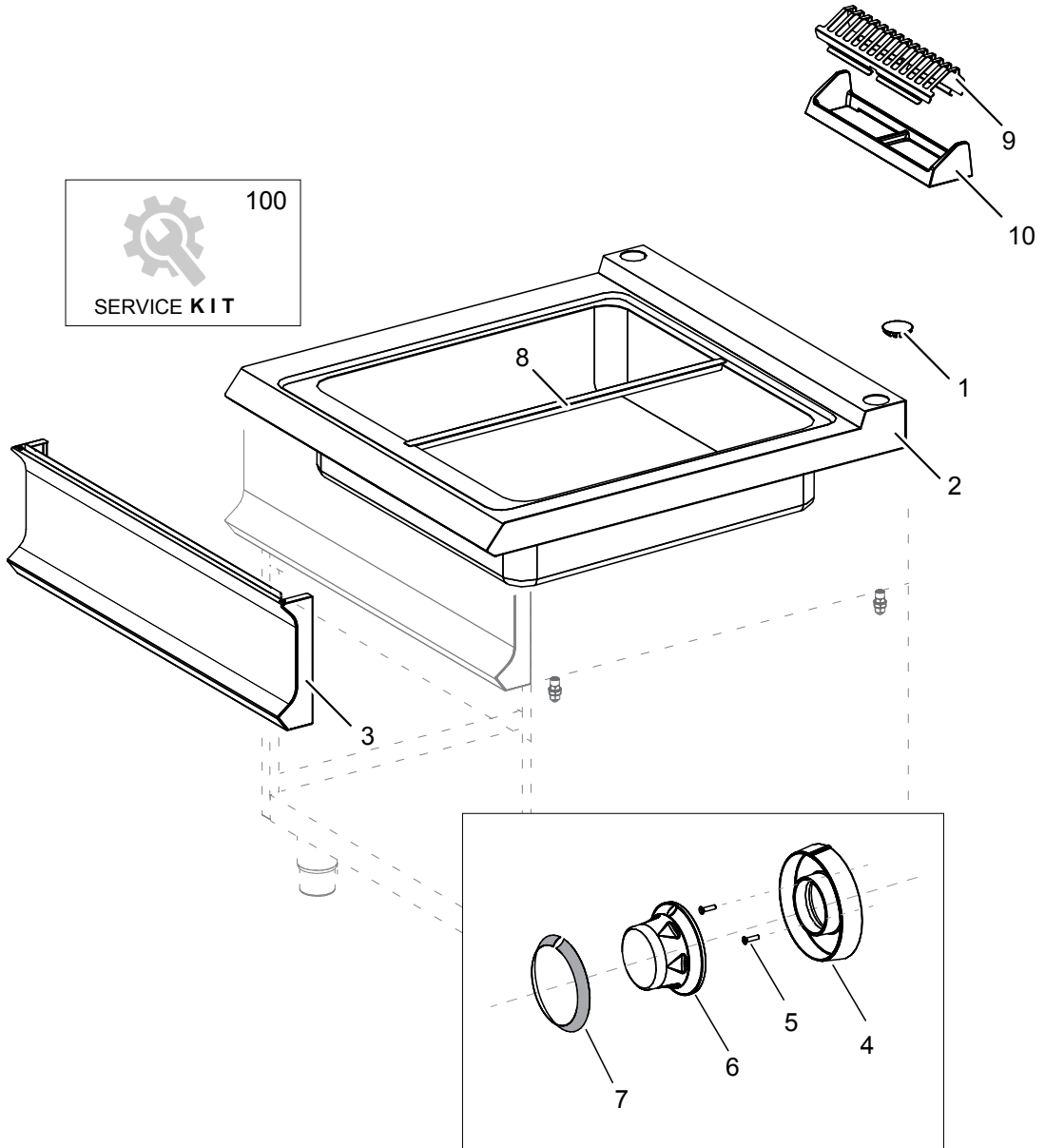
Le informazioni sono considerate non vincolanti. Le immagini rappresentate sono puramente indicative. Il produttore si riserva il diritto di apportare modifiche in qualsiasi momento senza preavviso.

Les informations données ne sont pas contraignantes. Les images montrées sont à titre indicatif. Le producteur se réserve le droit d'apporter des modifications sans préavis.

Die im vorliegenden Dokument aufgeführten Informationen und Bilder sind unverbindlich. Der Hersteller behält sich das Recht vor, jederzeit ohne vorherige Ankündigung Änderungen vorzunehmen

Info and drawing could be slightly different from reality and they cannot be considered as compelling. Manufacturer can modify info anytime without forewarning.

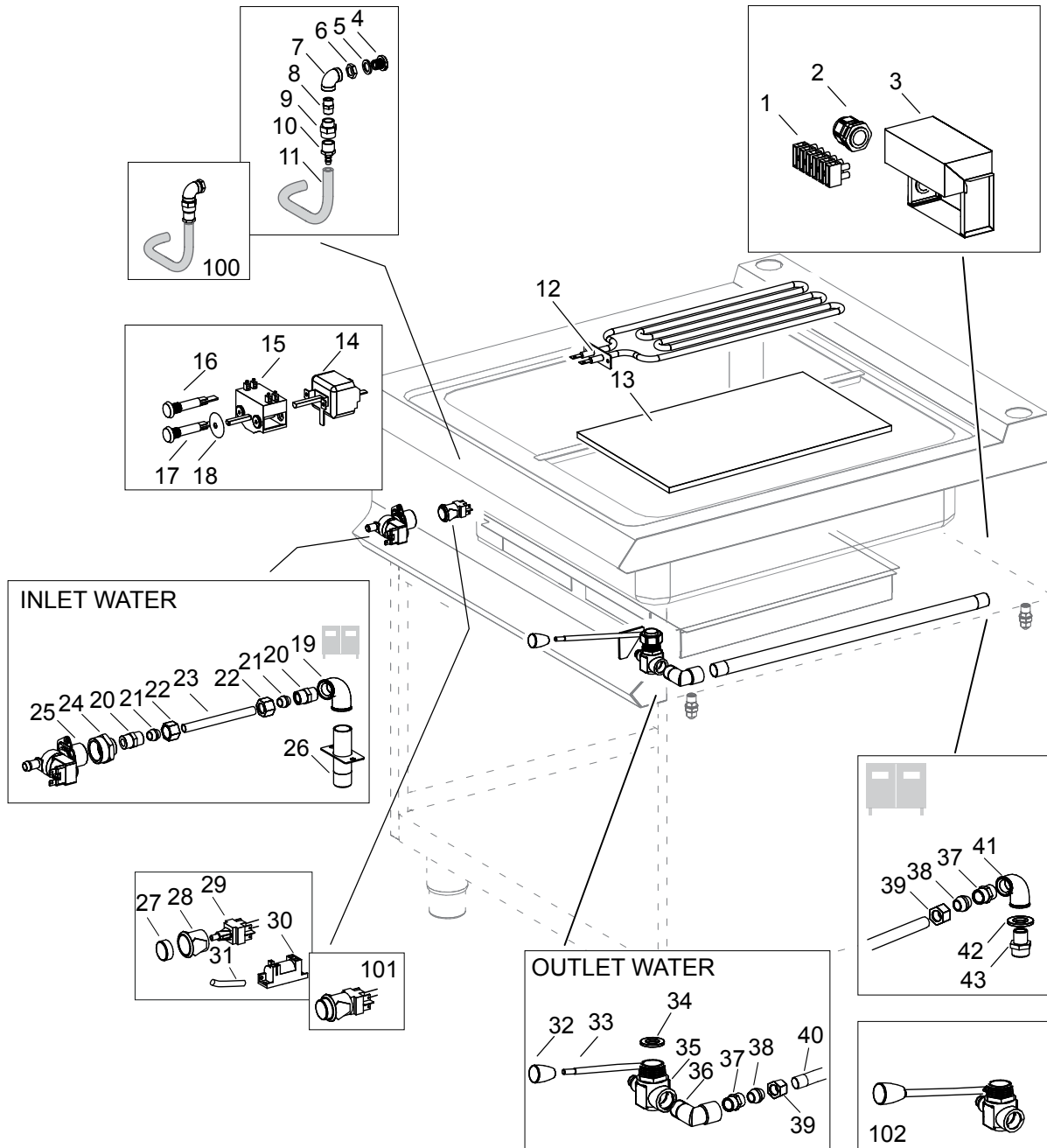
As Informações e desenhoS podem estar um pouco diferente da realidade e são puramente indicativas. O fabricante pode modificar estas informações a qualquer momento sem aviso prévio.



<b>Nr.</b>	<b>Code</b>	<b>Title</b>	<b>Recommended</b>
2.	203907	ARBEITSPLATTE + WANNE	
3.	203904	CONTROL PANEL	
6.	202200	COMMUTATOR KNOB	
7.	200485	THERMOSTAT RING	
8.	PABF900072	TRAY HOLDER	
9.	202046	CHIMNEY GRILL	
100.	ECS9013	RECOMMENDED PARTS FOR BME94	



<b>Nr.</b>	<b>Code</b>	<b>Title</b>	<b>Recommended</b>
6.	200470	<i>HIGH REAR</i>	
7.	200469	<i>REAR LOWER</i>	
8.	201557	<i>LEFT SIDE</i>	
9.	201556	<i>RIGHT SIDE</i>	
11.	201652	<i>REMOVABLE LOWER FLOOR</i>	
12.	201554	<i>CROSS FEET</i>	
13.	RTCU700277	<i>FOOT</i>	
14.	200467	<i>FRONT-REAR CROSS MEMBER</i>	



<b>Nr.</b>	<b>Code</b>	<b>Title</b>	<b>Recommended</b>
1.	RTBF900045	TERMINAL BOARD	
2.	RTBF700021	CABLE PRESS WITH NUT	
3.	201571	CABINET TERMINAL BLOCK PROTECTION	
4.	160224	WATER EROGATOR	
5.	166349	GASKET FOR WATER EROGATOR	
6.	RTCP800094	LOCK NUT	
7.	RTCU900121	CRANK	
8.	RTCU900103	NIPPLE 3/8"	✓
9.	187674	SLEEVE 1/2"-3/8"	
10.	187672	HOSE CONNECTION	
11.	173764	WATER PIPE	
12.	160237	HEATING ELEMENT 2KW	✓
13.	165106	INSULATING PANEL	
14.	160561	WORKING THERMOSTAT	✓
15.	RTBF900007	COMMUTATOR	✓
16.	166465	GREEN WARNING LIGHT	✓
17.	166466	ORANGE LAMP LIGHT	✓
18.	RTCU800185	GASKET FOR COMMUTATOR ROD	✓
20.	RTCU900103	NIPPLE 3/8"	✓
21.	RTCU900012	BICONE D.10	✓
22.	RTCU900013	NUT D.10 HEIGHT H. 14 MM	✓
23.	204750	WASHING SYSTEM PIPE	
24.	204753	NICKEL BRASS SLEEVE	
25.	RTFOC00022	1 WAY ELECTROVALVE	✓
26.	180550	WATER CONNECTION	
27.	201327	BLACK BUTTON	✓
28.	201326	CHROMED ROUND SUPPORT	✓
29.	183847	LIGHT BUTTON	✓
32.	RTCU700413	DRAIN SHEFT KNOB	
33.	182718	WATER DRAIN TAP PIN	
35.	160214	DISCHARGE TAP	
37.	RTCU900442	NIPPLE 1/2"- 3/8"	
38.	RTCU900012	BICONE D.10	✓

<b>39.</b>	RTCU900013	<i>NUT D.10 HEIGHT H. 14 MM</i>	✓
<b>40.</b>	203717	<i>WATER DISCHARGE PIPE</i>	
<b>41.</b>	RTCU900121	<i>CRANK</i>	
<b>42.</b>	RTMIN00288	<i>WASHER</i>	
<b>43.</b>	RTCU900442	<i>NIPPLE 1/2"- 3/8"</i>	
<b>100.</b>	RIC0005231	<i>WATER SPOUT</i>	
<b>102.</b>	RIC0005230	<i>DISCHARGE TAP KIT</i>	