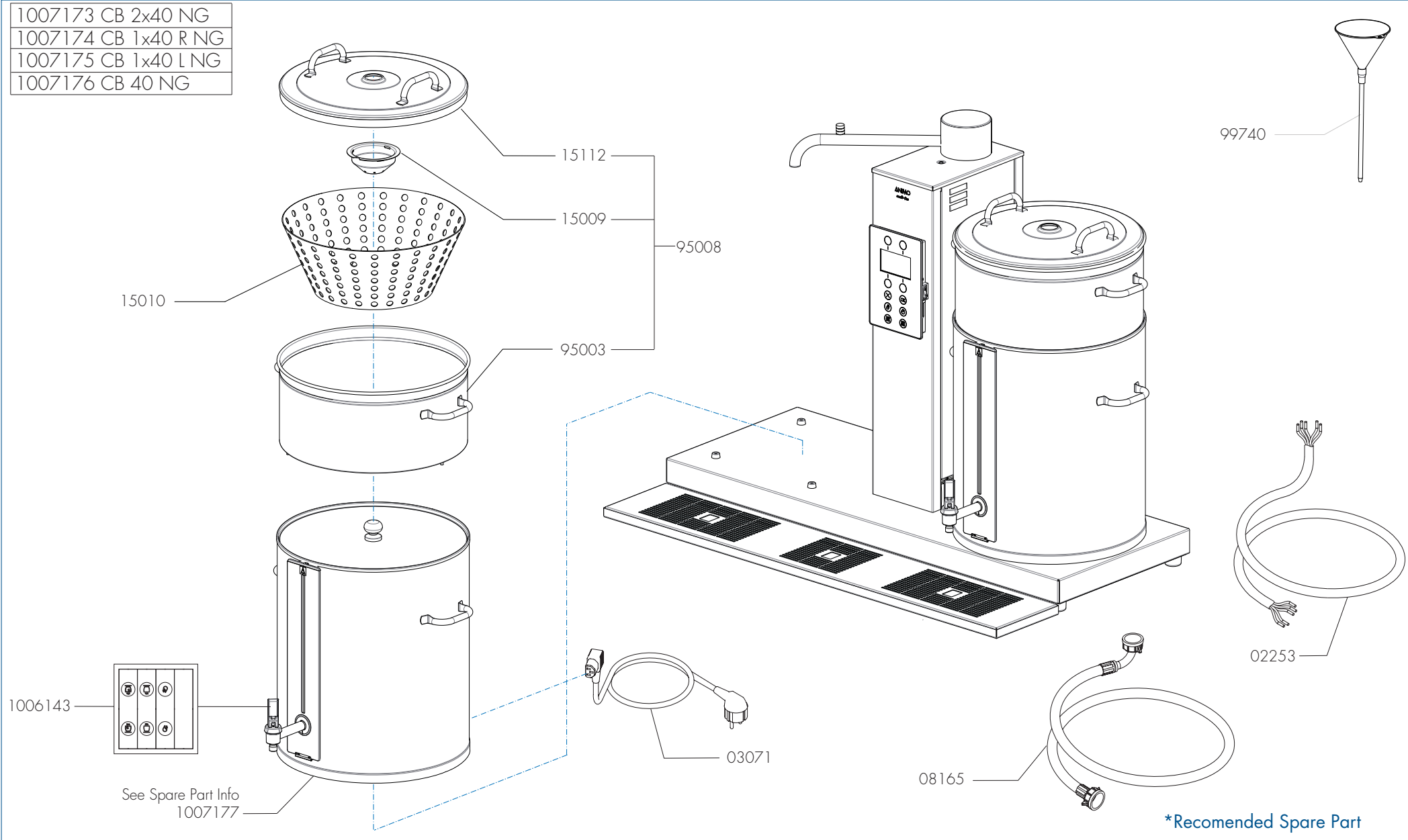


1007173 CB 2x40 NG
1007174 CB 1x40 R NG
1007175 CB 1x40 L NG
1007176 CB 40 NG



\*Recommended Spare Part

Type : CB40, See table

Articlenumber : See table

Rated voltage : 3N~ 380-415V 50-60Hz 18375W

From mach. nr. : 1KC 5909

Date : 03 - 2019

Drawer : W.B

Date : 11-03-19

Page : 1 - 13

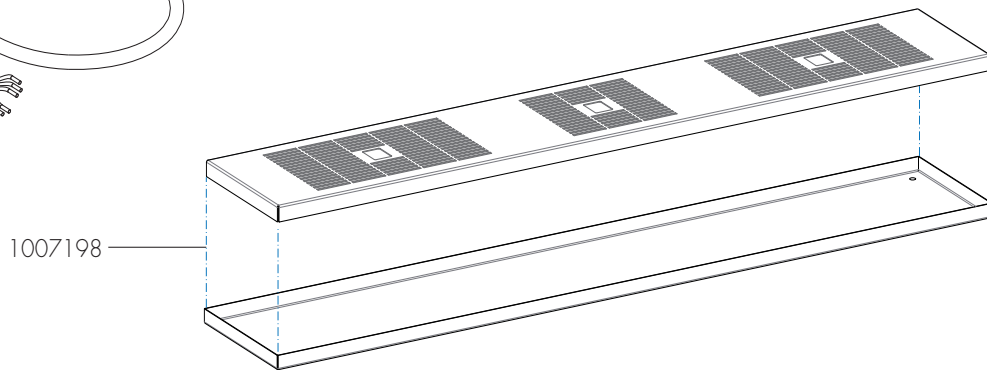
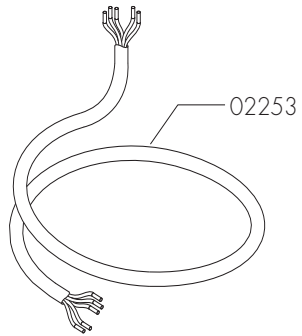
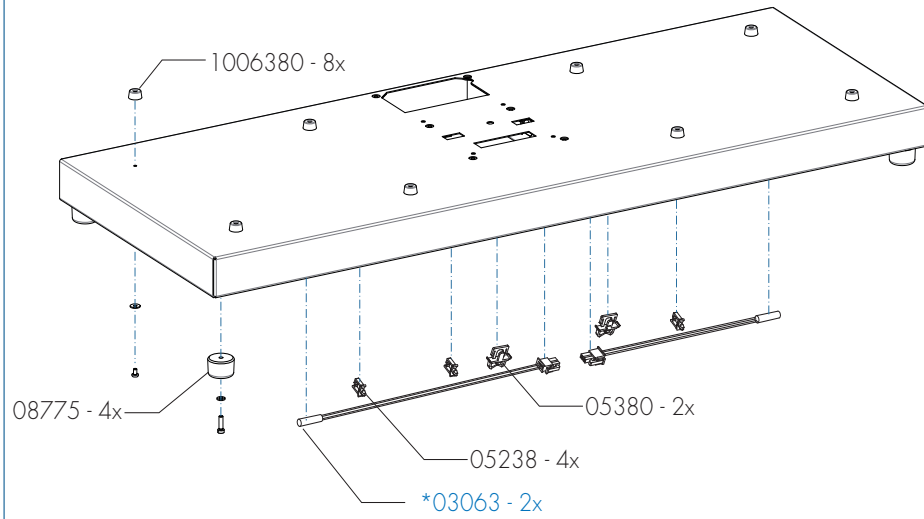
Rev : 1.1 - 02-21

Spare Parts Info

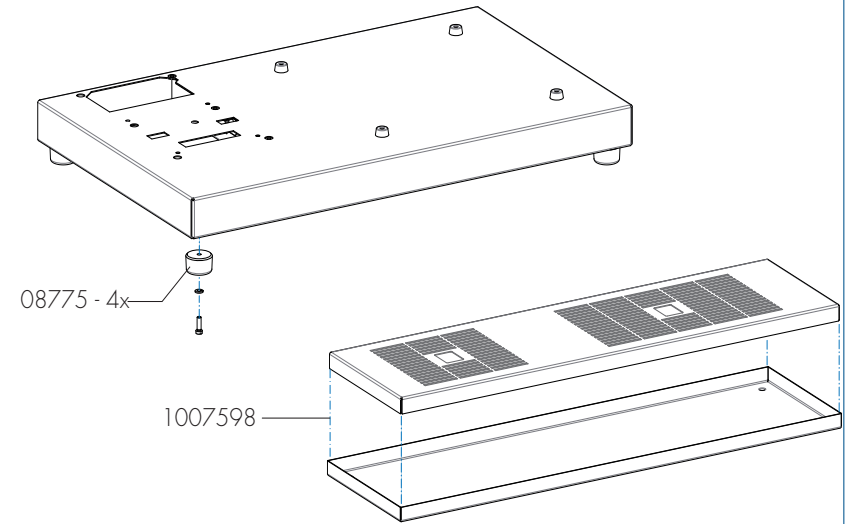
**ANIMO**

www.animo.eu

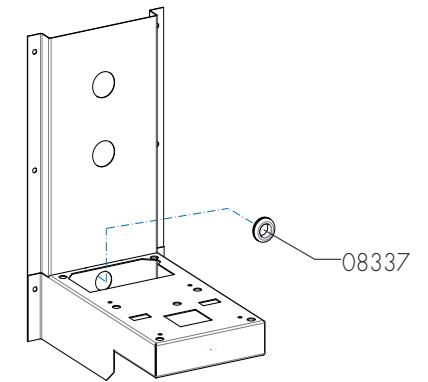
CB 2x40 NG



CB 1x40 R NG (right) (Shown)  
CB 1x40 L NG (left)



CB 40 NG



\*Recomended Spare Part

Type : CB40, See table  
Articlenumber : See table

From mach. nr. : 1KC 5909  
Date : 03 - 2019

Page : 2 - 13  
Rev : 1.1 - 02-21

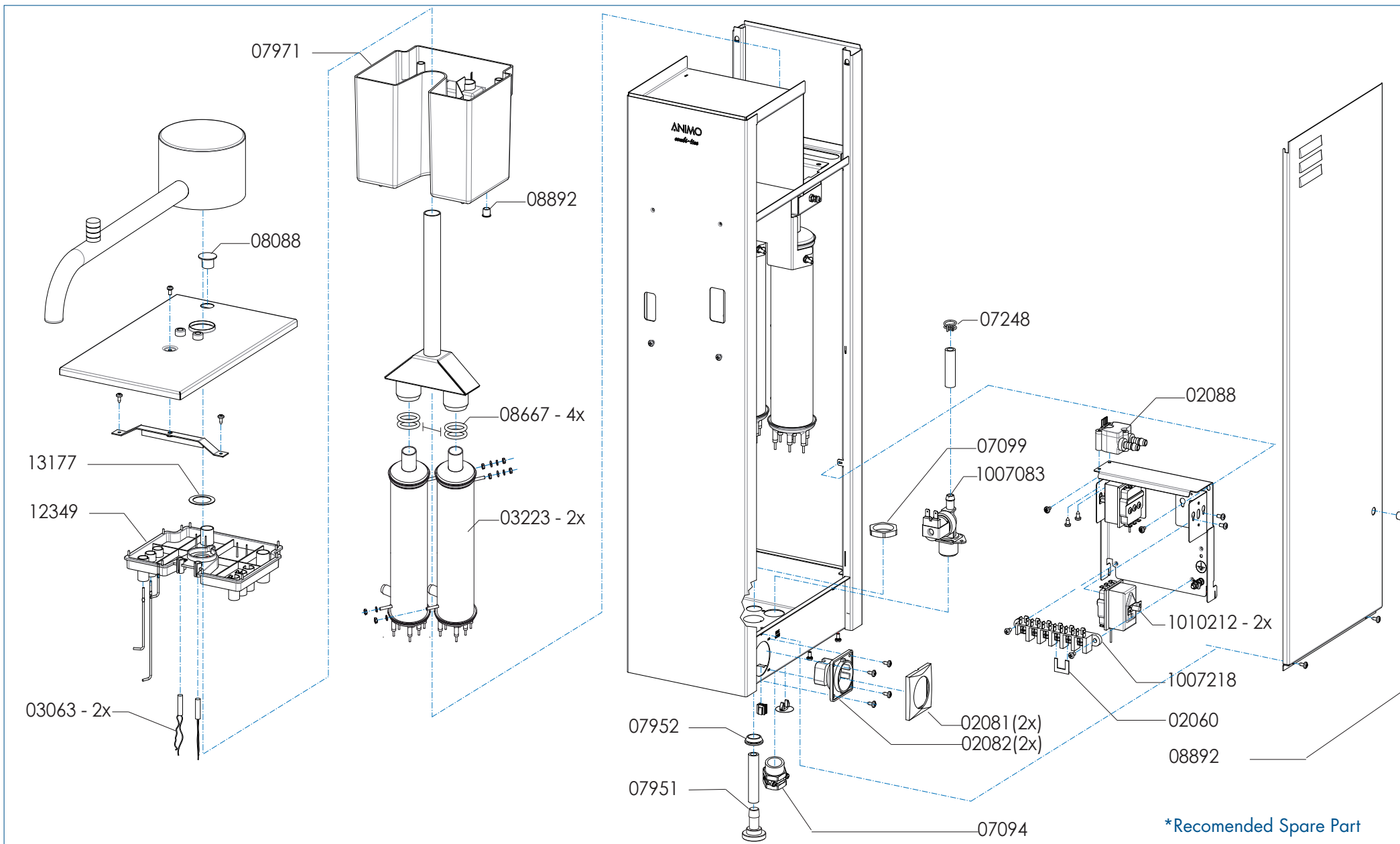
Rated voltage : 3N~ 380-415V 50-60Hz 18375W


Drawer : W.B  
Date : 11-03-19

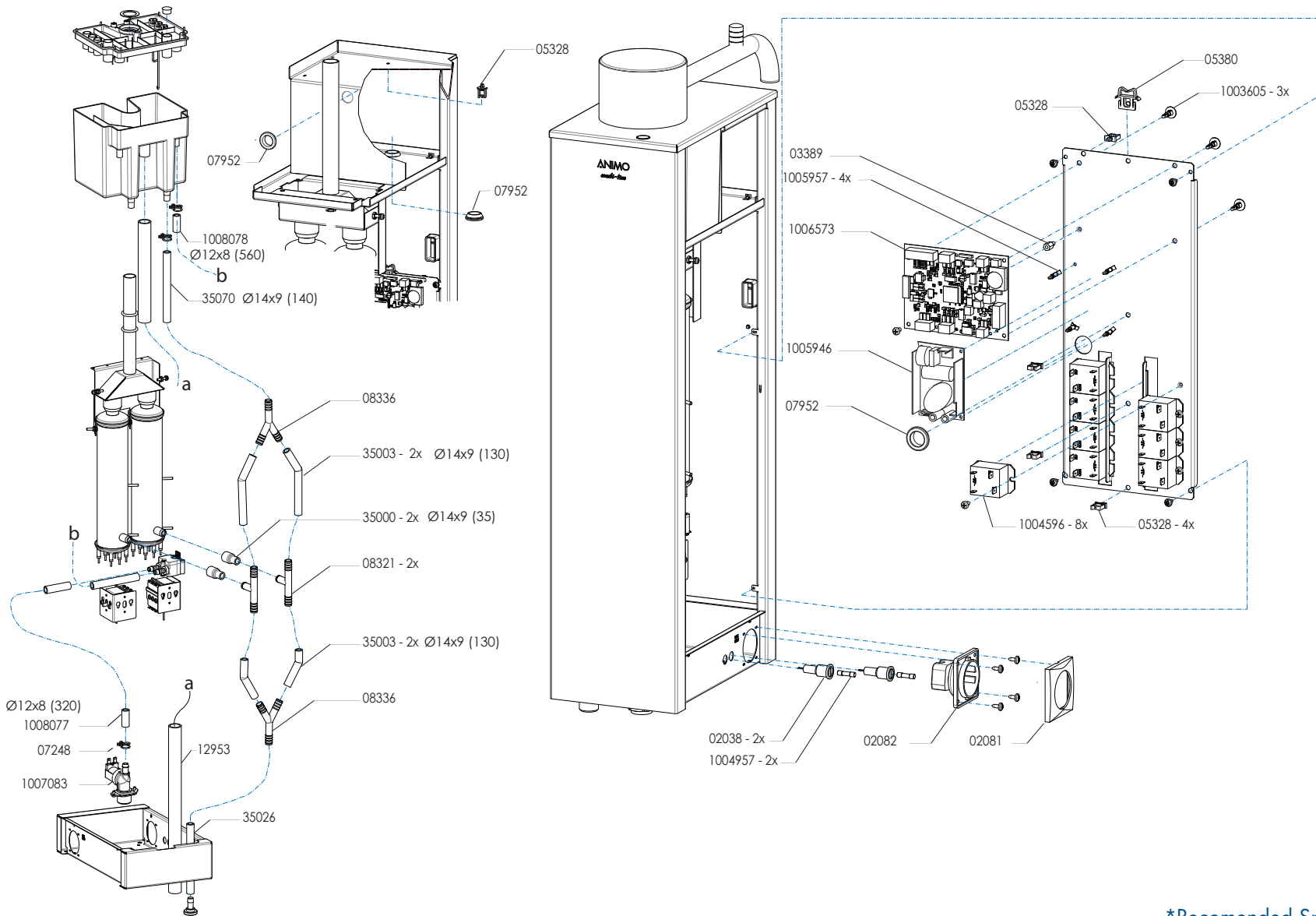
Spare Parts Info

**ANIMO**

www.animo.eu



Type : CB40, See table	From mach. nr. : 1KC 5909	Page : 3 - 13	 <a href="http://www.animo.eu">www.animo.eu</a>
Articlenumber : See table	Date : 03 - 2019	Rev : 1.1 - 02-21	
Rated voltage : 3N~ 380-415V 50-60Hz 18375W	Drawer : W.B Date : 11-03-19	<b>Spare Parts Info</b>	



\*Recommended Spare Part

Type : CB40, See table

Articlenumber : See table

Rated voltage : 3N~ 380-415V 50-60Hz 18375W

From mach. nr. : 1KC 5909

Date : 03 - 2019

Drawer : W.B

Date : 11-03-19

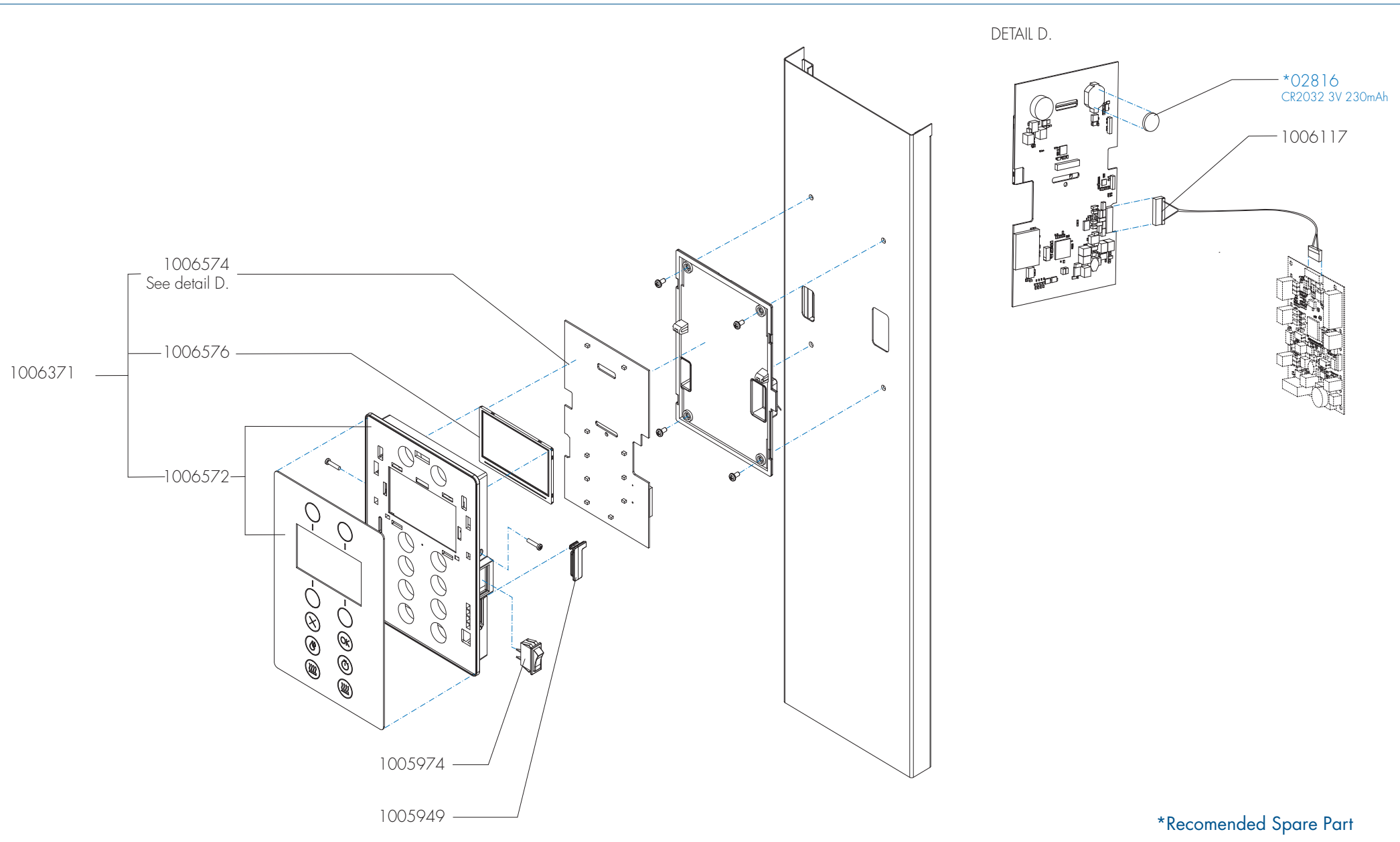
Page : 4 - 13

Rev : 1.1 - 02-21

Spare Parts Info

**ANIMO**

www.animo.eu



\*Recommended Spare Part

Type : CB40, See table

Articlenumber : See table

From mach. nr. : 1KC 5909

Date : 03 - 2019

Page : 5 - 13

Rev : 1.1 - 02-21

Rated voltage : 3N~ 380-415V 50-60Hz 18375W

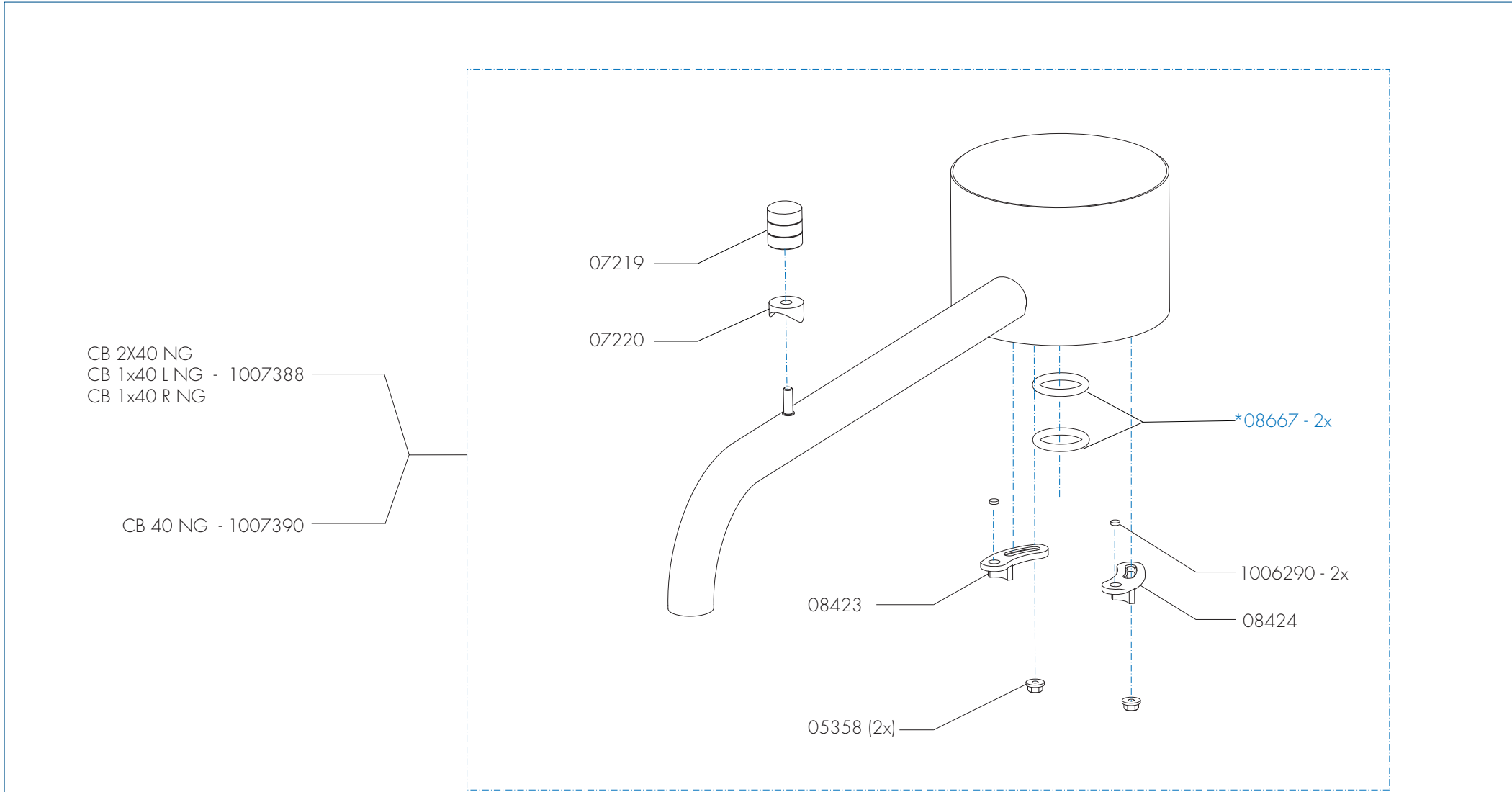
Drawer : W.B

Date : 11-03-19


Spare Parts Info

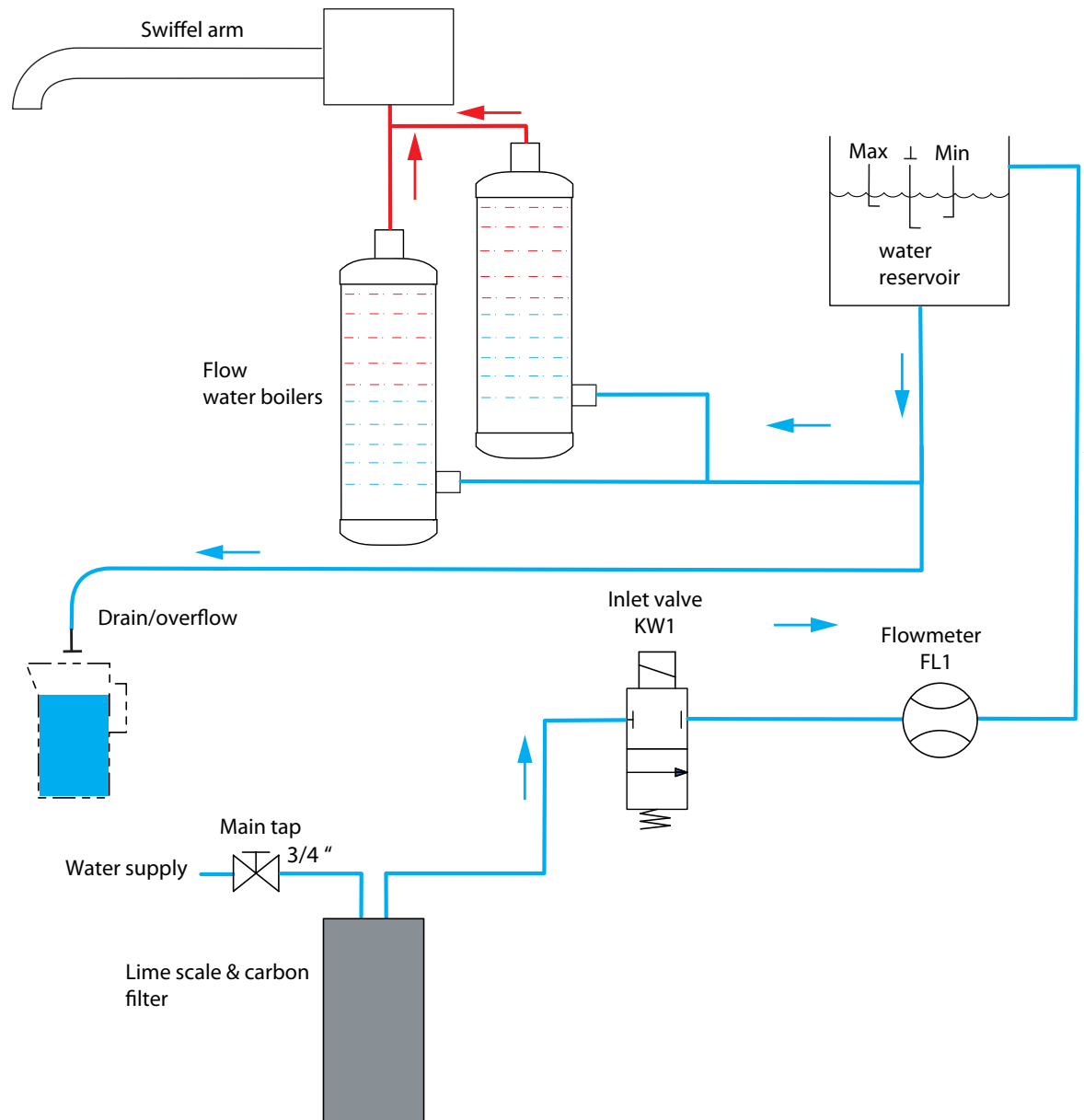
**ANIMO**

www.animo.eu



\*Recomended Spare Part

Type : CB40, See table	From mach. nr. : 1KC 5909	Page : 6 - 13	 <a href="http://www.animo.eu">www.animo.eu</a>
Articlenumber : See table	Date : 03 - 2019	Rev : 1.1 - 02-21	
Rated voltage : 3N~ 380-415V 50-60Hz 18375W	Drawer : W.B Date : 11-03-19	<b>Spare Parts Info</b>	



\*Recommended Spare Part

Type : CB40, See table

Articlenumber : See table

From mach. nr. : 1KC 5909

Date : 03 - 2019

Page : 7 - 13

Rev : 1.1 - 02-21

Rated voltage : 3N~ 380-415V 50-60Hz 18375W

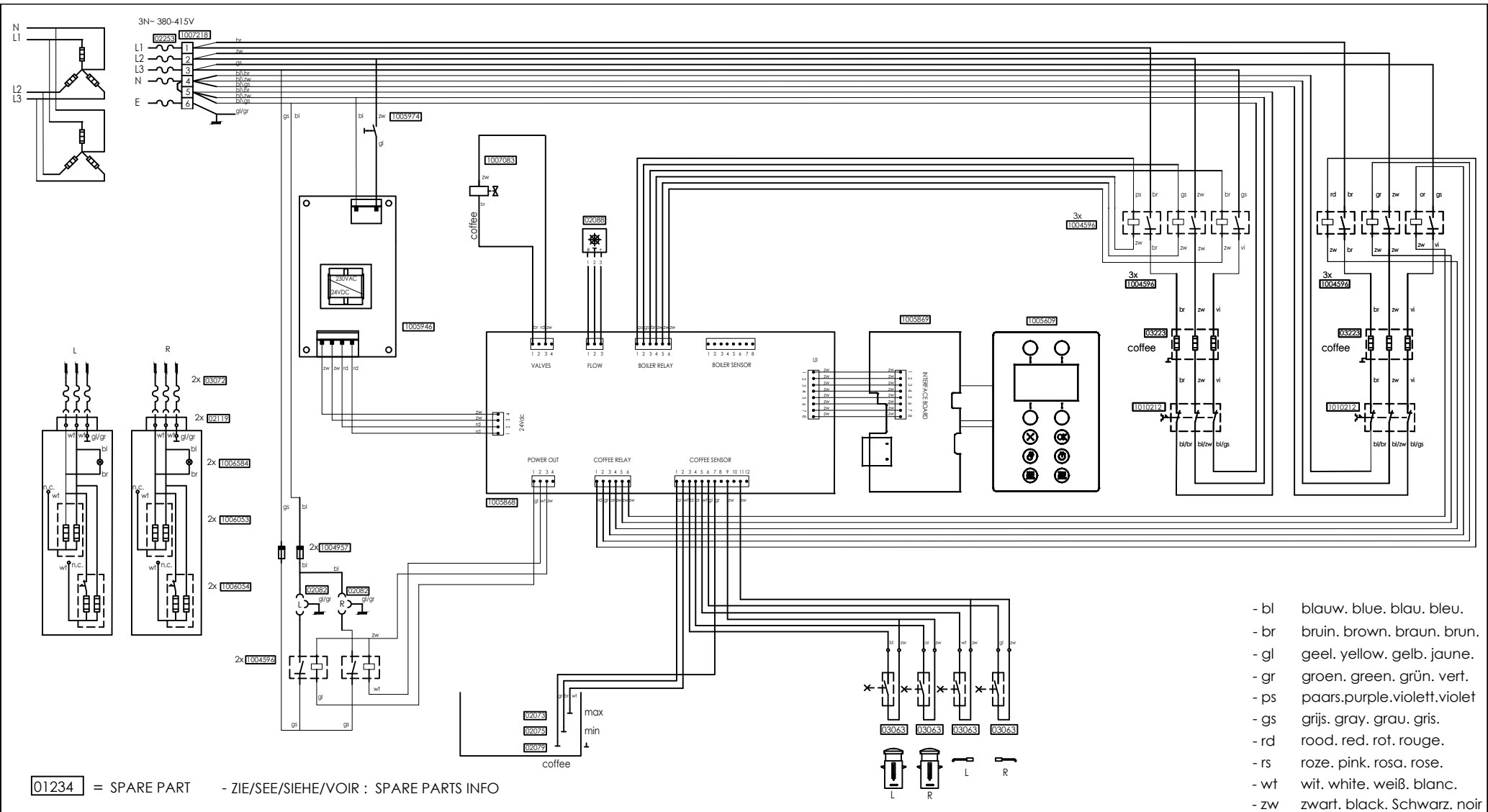
Drawer : W.B

Date : 11-03-19

Spare Parts Info

**ANIMO**

www.animo.eu

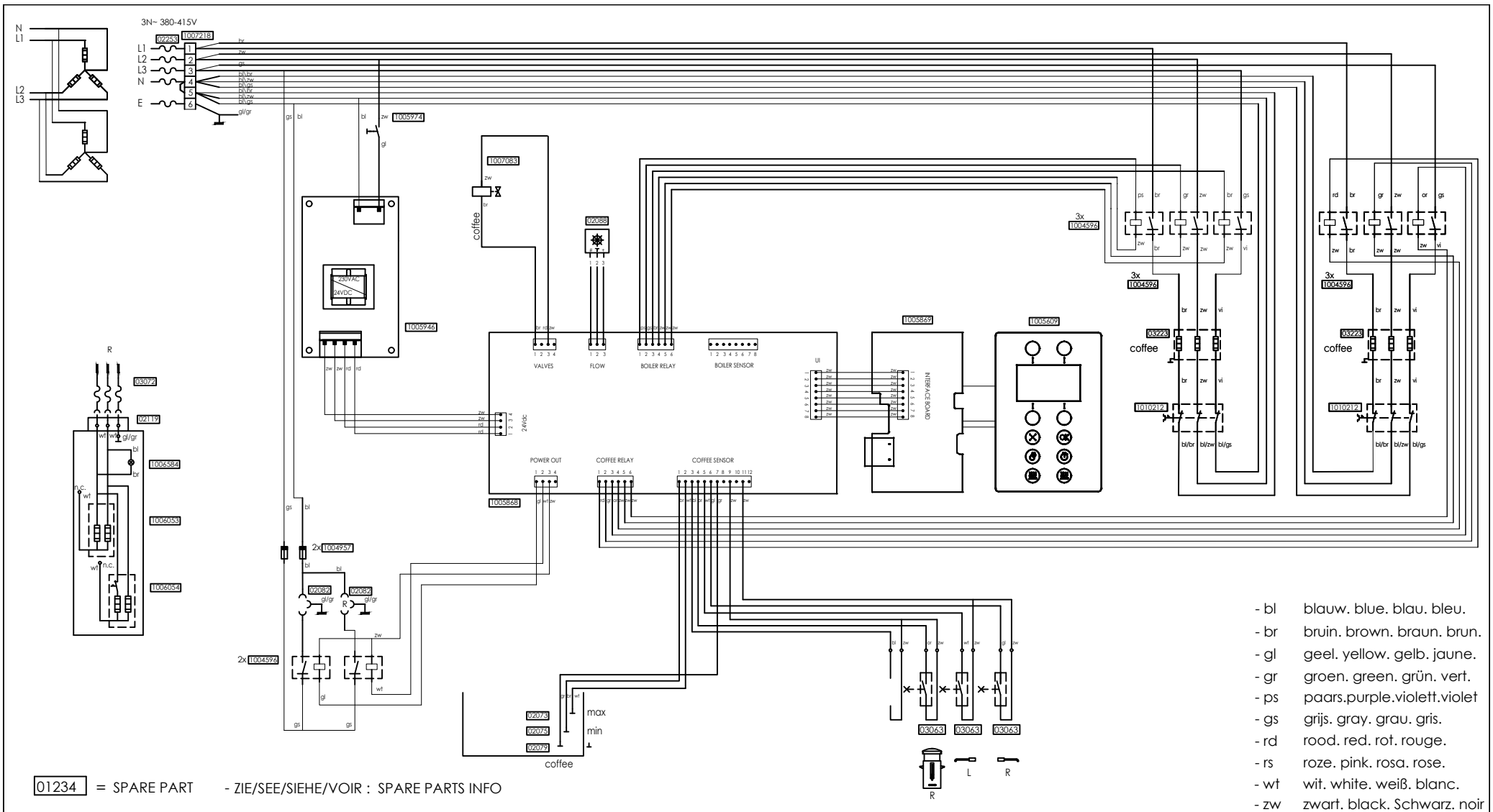


Type : CB 2x40 NG Articlennumber : 1007173	From mach.nr. : 1MA Date : 04-2017	Drawing nr. : S1007173	
		Rev. : 1.1-0221	Page : 1-1
Rated voltage : 3N~380-415V 50-60Hz 18375W	Drawer : TK Date : 03-12-2018	<h1>Circuit Diagram</h1>	



www.animo.eu

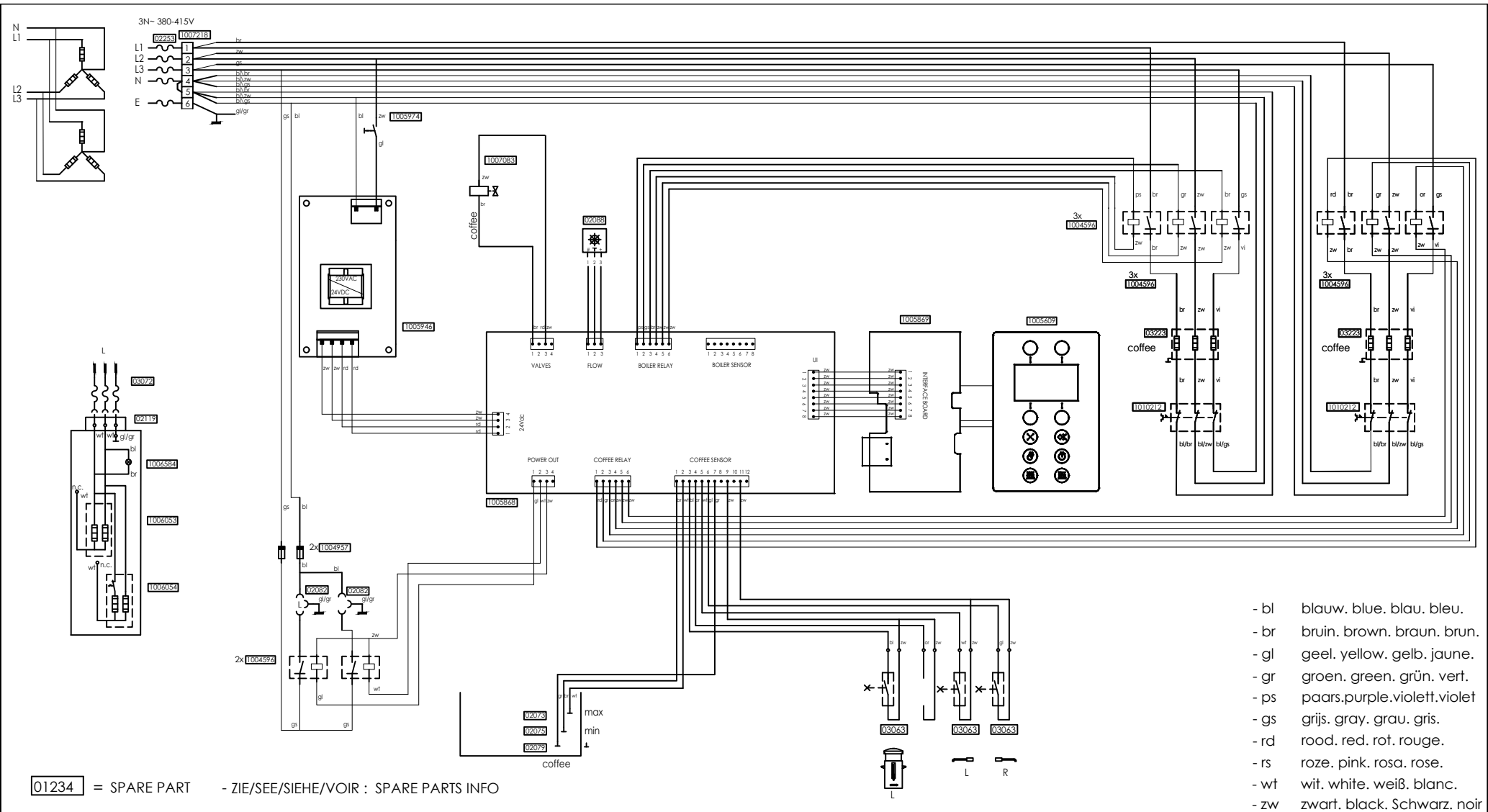




Type : CB 1x40 R NG Articlenumber : 1007174	From mach.nr. : 1MA Date : 04-2017	Drawing nr. : S1007174	
		Rev. : 1.1-0221	Page : 1-1
Rated voltage : 3N~380-415V 50-60Hz 18225W	Drawer : TK Date : 03-12-2018	Circuit Diagram	



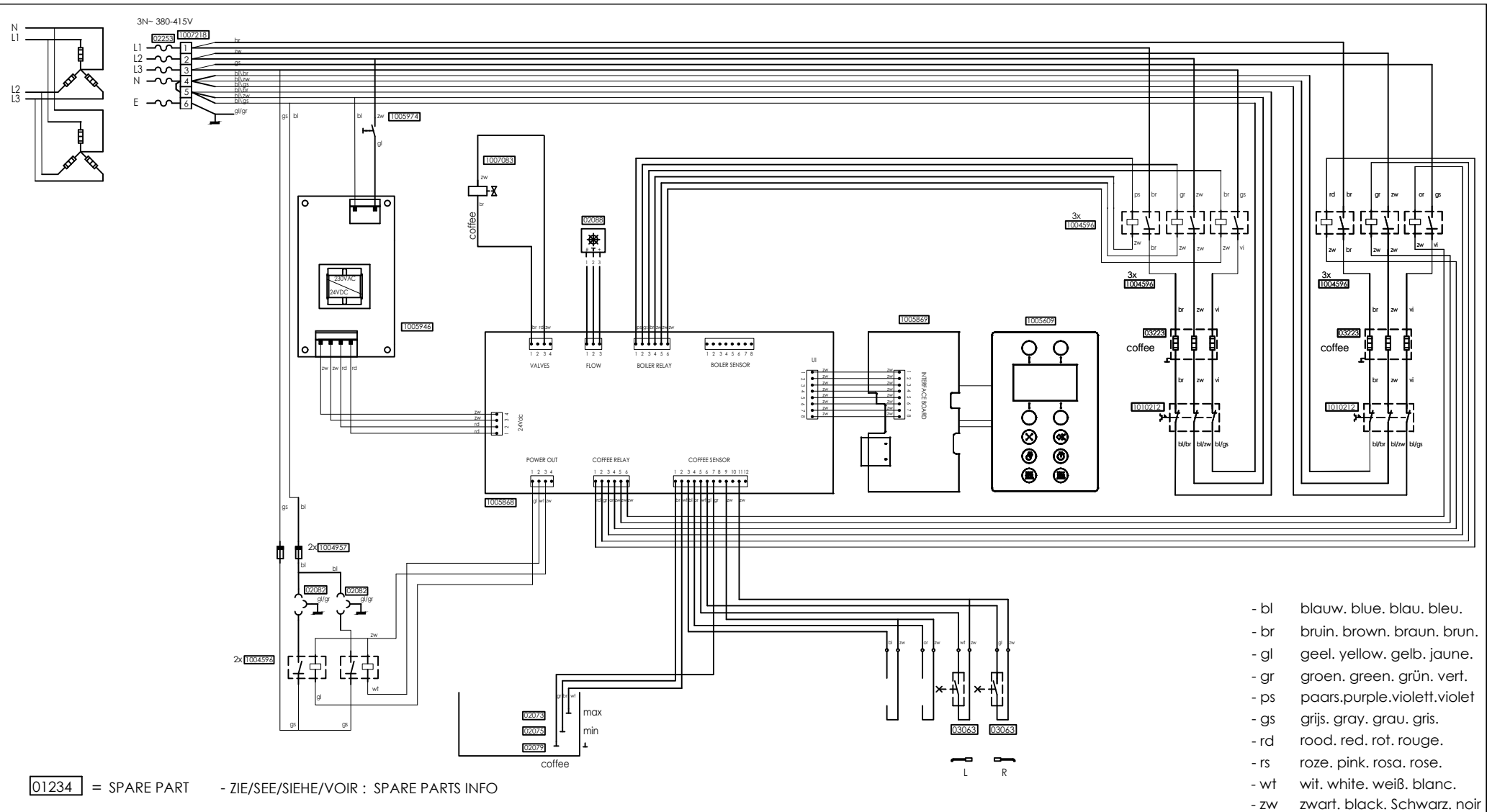
www.animo.eu



Type : CB 1x40 L NG Articlenunder : 1007175	From mach.nr. : 1MA Date : 04-2017	Drawing nr. : S1007175	
		Rev. : 1.1-0221	Page : 1 -1
Rated voltage : 3N~380-415V 50-60Hz 18225W	Drawer : TK Date : 03-12-2018	<h1>Circuit Diagram</h1>	



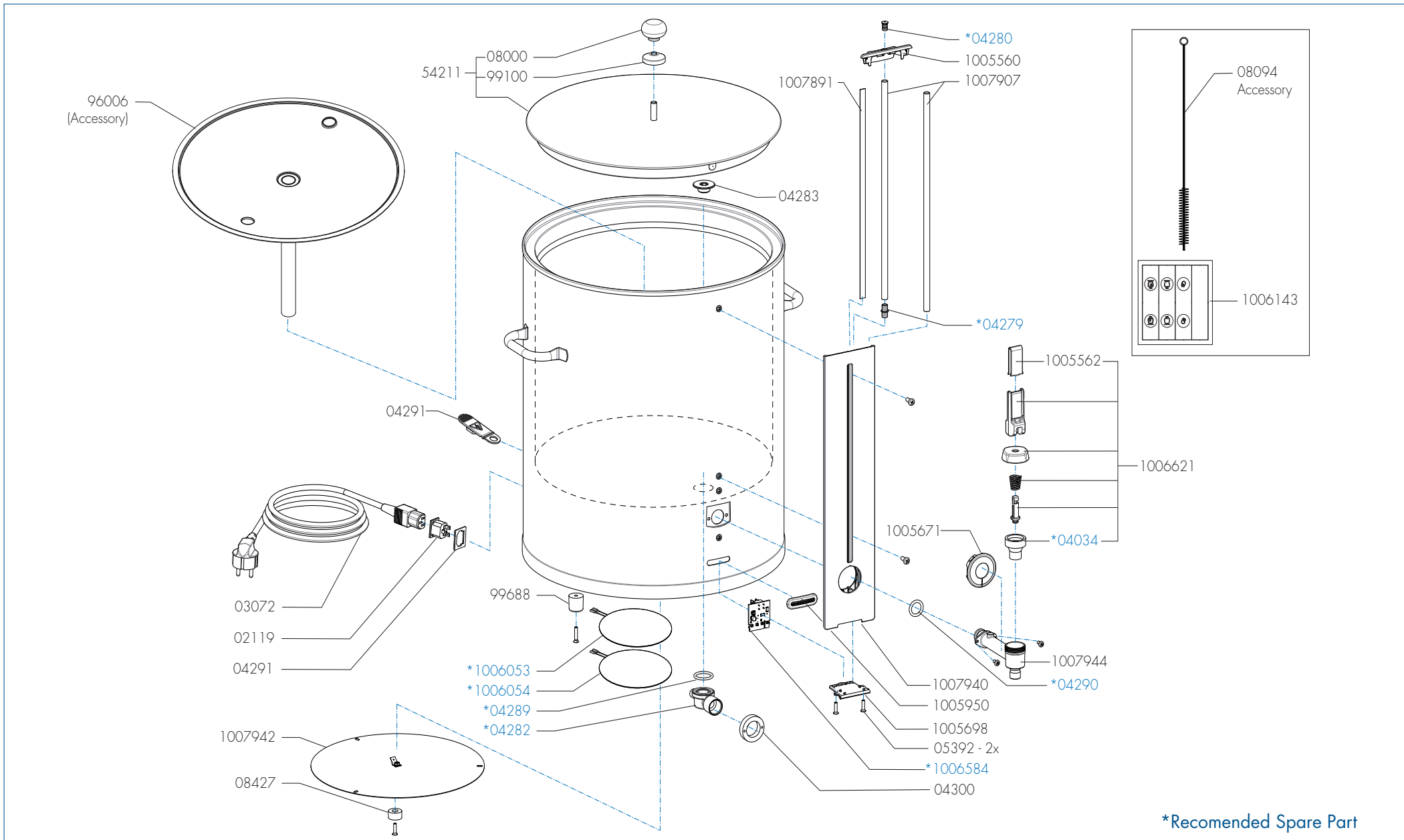
www.animo.eu




Type : CB 40 NG Articlenunder : 1007176	From mach.nr. : 1MA Date : 04-2017	Drawing nr. : S1007176	
		Rev. : 1.1-0221	Page : 1-1
Rated voltage : 3N~380-415V 50-60Hz 18075W	Drawer : TK Date : 03-12-2018	<h1>Circuit Diagram</h1>	

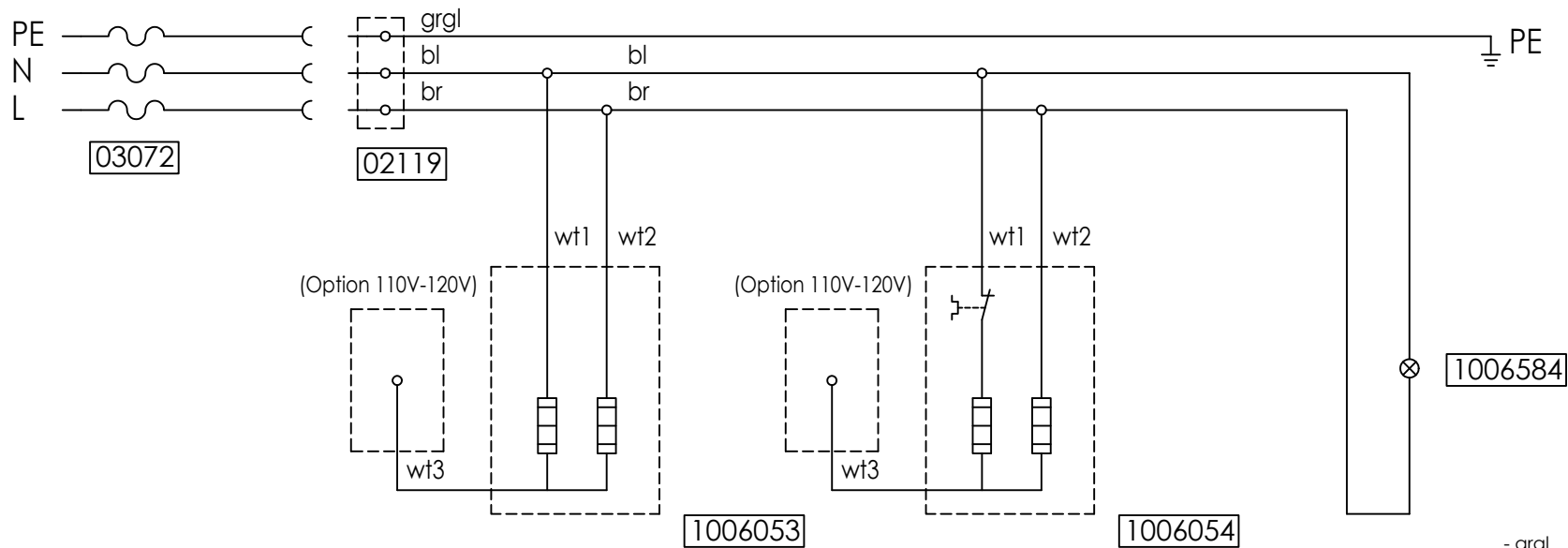


www.animo.eu



\*Recommended Spare Part

Type : CB40, See table Articulenumber : See table	From mach. nr. : 1KC 5909 Date : 03 - 2019	Page : 12 - 13 Rev : 1.1 - 02-21	 <a href="http://www.animo.eu">www.animo.eu</a>
Rated voltage : 3N~ 380-415V 50-60Hz 18375W	Drawer : W.B Date : 11-03-19	<h3>Spare Parts Info</h3>	



- grgl groengeel. grüngelb.
- bl blauw. blue. blau. bleu.
- br bruin. brown. braun. brun.
- gl geel. yellow. gelb. jaune.
- gr groen. green. grün. vert.
- ps paars. purple. violett. violet
- gs grijs. gray. grau. gris.
- rd rood. red. rot. rouge.
- rs roze. pink. rosa. rose.
- wt wit. white. weiß. blanc.
- zw zwart. black. Schwarz. noir

[01234] = SPARE PART - ZIE/SEE/SIEHE/VOIR : SPARE PARTS INFO

Type : CN40e	From mach.nr. : 2QB30370
Articlenumber : 1007177	Date : 12-2018
Rated voltage : 1/N/PE 220-240V 50/60Hz 143W-157W	Drawer : JK Date : 05-11-2018

From mach.nr. : 2QB30370	Drawing nr. : S1007177
Date : 12-2018	Rev. : 1.0
Drawer : JK	Page : 1 -1
Date : 05-11-2018	Circuit Diagram

Rev. : 1.0	Page : 1 -1
Circuit Diagram	



www.animo.eu