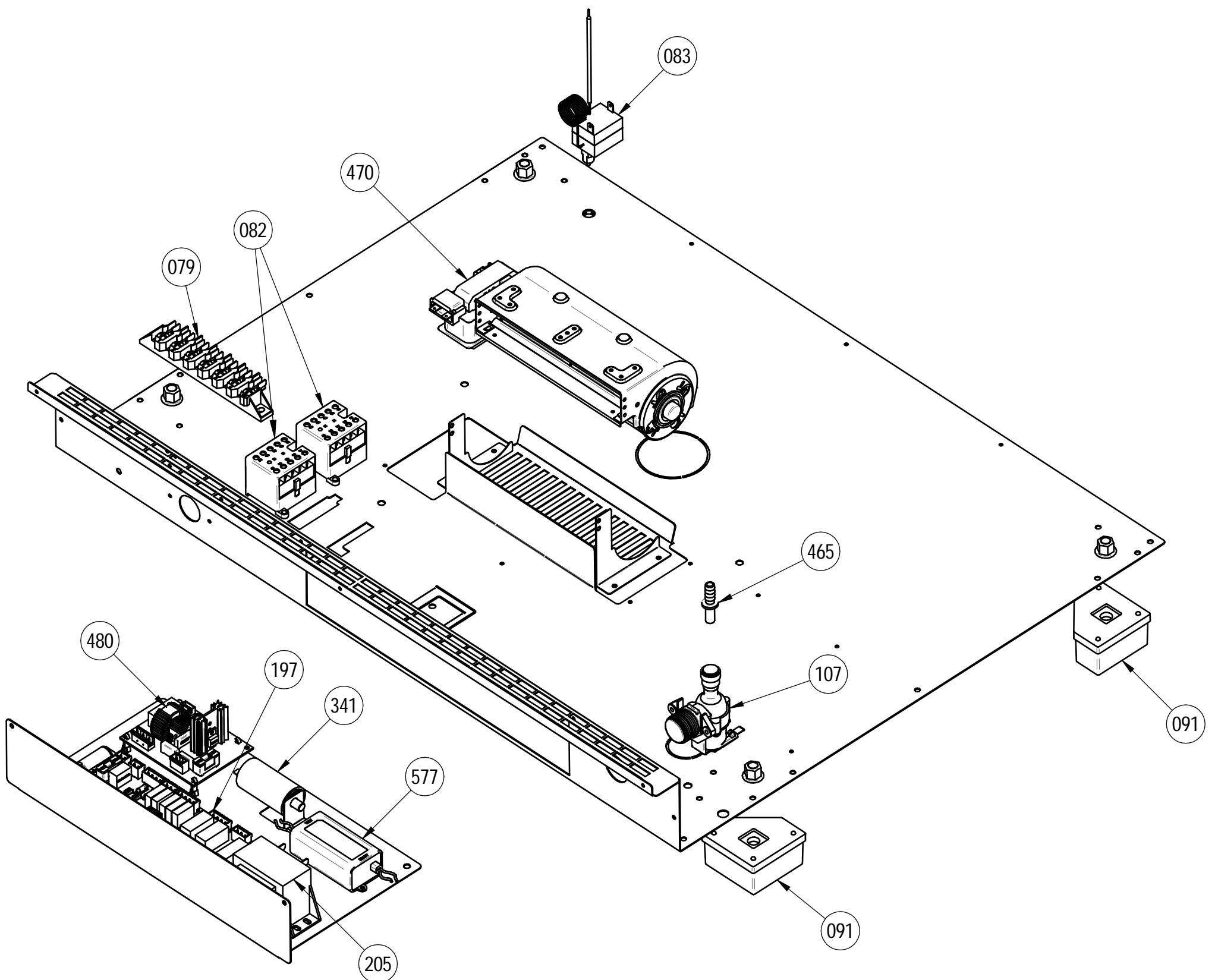


Apach

COOK *Line*

SPARE PART No	CODE	DESCRIPTION	Q.TY
079	020MOR0002	TERMINAL BLOCK 7(X3) POLES 40A	1
082	020TEL0004	BRAKER 4POLES 220/240V 20A	2
083	020TER0007	SAFETY THERMAL SWITCH 1 POLE	1
091	***	VERTEX FEET H55	4
107	20ELE00014	SOLENOID VALVE 90° + FLOW LIMITER BROWN	1
465	40RAC00034	PIPE HOSE 8-8	1
470	20VNT00001	CROSS-FLOW FAN TG6 180	1
549	85SCB00099	VERTEX CABLING DRAWER	1
193	040DIS00002	ELECTRONIC BOARD SPACER	10
197	20SCH00082	RS09 POWER BOARD FOR 2,4" SPLITTED	1
205	020TRS0001	TRASF. 230V 12V 50/60HZ 20VA	1
303	040PPC00013	PUSH CABLE TIES MOUNTS	3
341	***	CAPACITOR 6,3 µf	1
480	20SCH00088	PHASE CUT RSFAN700	1
577	20ALM00004	POWER SUPPLIER 16,8W	1



POS.	SPARE PART No	CODE	DESCRIPTION	Q.TY
14	015	20DIS00001-000	DISTANZIALE ESAG.M4x55	4
15	016	20SCH00081-000	CONTROLLER LCD 2,4" SPLITTATO RS09	1
16	033	60CER00002-001	CERNIERA A MOLLA P1616A0	2
17	037	80VET00314-000	VETRO INTERNO FORNO VE04	1
18	040	60MNG00003-002	TAPPO SUPERIORE SX PORTA VERTEX	1
19	044	040TAP00015-001	DIST. VTR INT L04/L06/L10 0015023	5
20	045	60MNG00004-002	MANIGLIONE PORTA VERTEX	1
21	080	20VNT00005-000	MICRO VENT.CENTRIFUGO 24VDC 50X50X15	1
23	201	20CNT00040-000	USB DA PANNELLO C/CONNETTORE JST 4 POLI	1
24	257	50PAR00021-001	CORNICE ANT.LCD 7"+ CAPACITIVO 2.4"	1
25	269	85CER00034-000	ASS.CHIUSURA VETRO INT.A MOLLA	2
27	435	20LAM00015-000	LAMP.LED 24V CR380OP4 L=285MM	1
28	453	10PIA00342-000	PIASTR.USB+CAVO DISPLAY VERTEX	1
29	461	85AVE00077*-002	ASS.VETRO ESTERNO FORNO VE04	1

