

**COFFEE GRINDER ON-DEMAND #59**



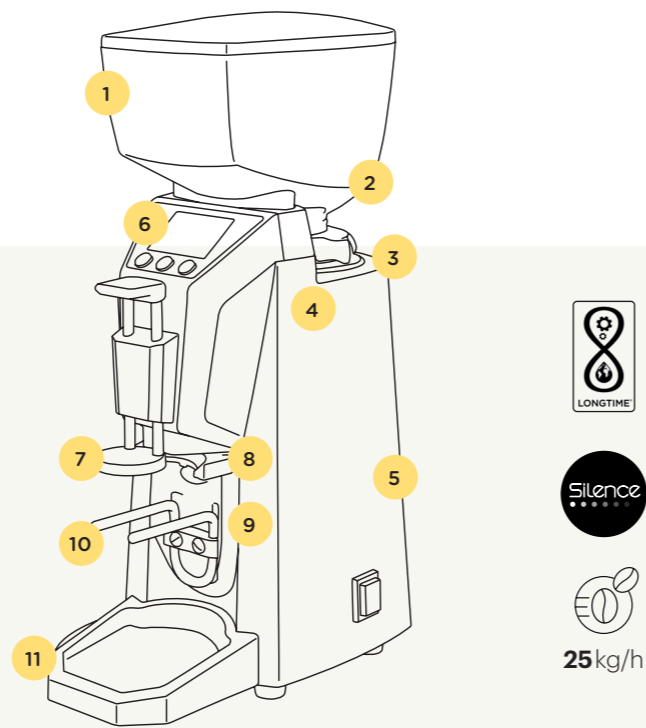
# A silent, fast and durable coffee grinder

This "on-demand" coffee grinder grinds and dispenses the precise dose for 1 or 2 espressos, directly in the portafilter.

Extremely fast and silent, it delivers a dose of 7g in less than 1 second. It offers a constant and precise dose, and a unimodal grinding, for a high quality coffee. Thanks to its pulse function and its LCD display, it fulfills all needs and offers a customized use : dose setting, statistics, brightness, etc.

## Santos know how

- Since 1954, Santos manufactures its own grinding discs for a high quality grinding
- Specialist of silent grinders
- Dose regularity
- Not burning coffee while grinding
- Antistatic system
- Easy adjustment and maintenance



- 1 1kg (2,2lbs) hopper for coffee beans
- 2 Hopper shutter
- 3 Adjusting screw for an easy handling (<0,002mm per graduation). Heat dissipation
- 4 Ø 63,5mm (2,5") grinding discs. High resistance, long lasting
- 5 Powerful, reliable commercial motor. 5-year warranty
- 6 LCD display integrated: easy adjustments
- 7 3 tamper: Ø 53 mm, Ø 55 mm, Ø 57 mm
- 8 Filter holder fork
- 9 Detection of the filter holder. Automatic distribution of the dose of coffee
- 10 Adjustable fork
- 11 Removable drip tray

## Choose your version



Models available with tamper

Models available without tamper



## Silence, speed, sustainability

**Powerful asynchronous motor** for intensive use, very silent.  
**Sturdy product** with aluminium body.  
**Quick** 7g of coffee dispensed in less than 1 second.

## LCD display

**Easy customization** of the coffee grinder according to your needs: dose setting, statistics, brightness, etc.

- 1 "1 dose" button
- 2 "2 doses" button
- 3 Pulse button for a customizing adjustment of the dose

## Quality grinding

**Extra fresh ground coffee:** no dispenser, coffee beans are ground on demand.  
**Santos manufactures its own grinding discs** to give you a perfect grinding.



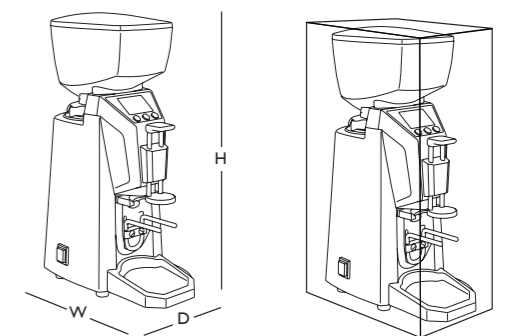
## Safety and standards

<b>In accordance with the following regulations</b>	Machinery directive 2006 / 42 / EC
	Electromagnetic compatibility 2014 / 30 / EU
	"Low voltage" directive 2014 / 35 / EU
	RoHS directive 2011 / 65 / EU
	Regulation 10 / 2011 / EU (Plastic in contact with food)
<b>Harmonized European Standards</b>	Regulation 1935 / 2004 / EC (contact with food)
	EN ISO 12100: 2010
	EN 60204-1 + A1: 2009
<b>Electrical Safety</b>	EN 60335-2-64: 2004 Commercial electric kitchen machines
	CE Marking
	On/Off interlock switch is waterproof
	All mechanical parts are ground connected
<b>Thermal Safety</b>	Overcurrent protector
	Appliances are 100% tested after assembly
<b>Acoustic Safety</b>	Motor protected by internal thermal detector
	Very silent and powerful asynchronous motor

## Technical specifications

**Motor**  
 Single phase:  
 100-120 V-50/60 Hz-800 W - CE  
 220-240 V-50/60 Hz-1100 W - CE

Speed:  
 3000 rpm (50 Hz)  
 3600 rpm (60 Hz)



**Appliance**  
 D: 352 mm (14")  
 W: 198 mm (8")  
 H: 540 mm (21")  
 Net weight:  
 14,9 Kg (33lbs)

**Shipping box**  
 D: 450 mm (14")  
 W: 245 mm (8")  
 H: 660 mm (21")  
 Packed weight:  
 16,9 Kg (33lbs)

**PRODUCT: 2-YEAR WARRANTY | MOTOR: 5-YEAR**

70 YEARS  
experience



