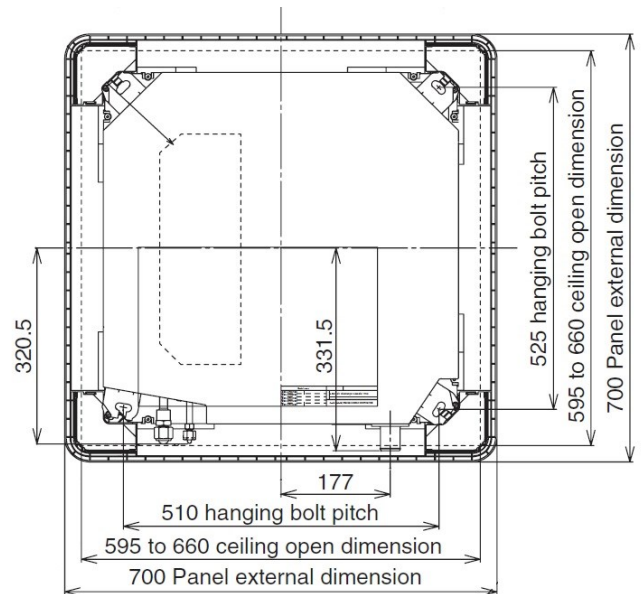
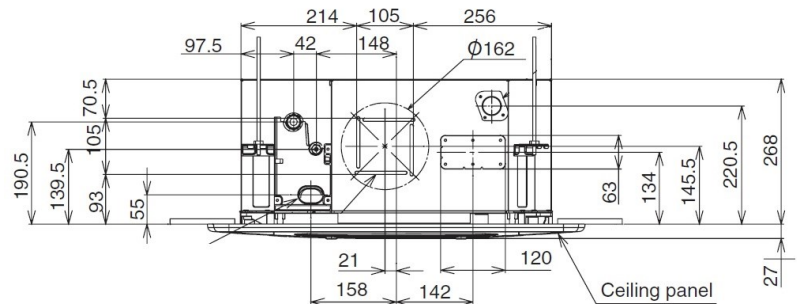


MMU-AP0074MH-E Compact 4-way Cassette

- Equipped with draft prevention and clean ceiling functions
- Low noise: low fan speed down to 28dB(A)
- Auxiliary Fresh air intake
- Lift pump up to 850mm lift
- Removable corner "Pockets" for easy installation

| | |
|----------------------------------|-----------------------|
| Model Reference | MMU-AP0074MH-E |
| Nominal Cooling (kW) | 2.2 |
| Nominal Heating (kW) | 2.5 |
| Capacity Code | 0.8 |
| Power Input (Cool/Heat) (kW) | 0.034 |
| UK Cooling (kW) | 2.07 |
| UK Sensible Cooling (kW) | 1.59 |
| UK Heating (kW) | 2.03 |
| Starting Current (A) | 0.49 |
| Running Current (A) | 0.28 |
| Suggested Fuse Size (A) | 3 |
| Power Supply (V-ph-Hz) | 220/240-1-50 |
| Interconnecting Cable | 2 Core Screened 1.5mm |
| Sound Power H-M-L (dB(A)) | 49-45-41 |
| Sound Pressure H-L (dB(A)) | 36-28 |
| Air Flow H-L (m ³ /h) | 552-378 |
| Air Flow H-L (l/s) | 153-105 |
| Dimensions (HxWxD) mm | 268 x 575 x 575 |
| Unit Weight (kg) | 17 |
| Panel Reference | RBC-UM11 PG (W) -E |
| Panel Dimensions (HxWxD) mm | 27 x 700 x 700 |



Cool Designs Ltd

Raising the Standards in Air Conditioning Distribution

www.cooldesignsltd.co.uk



All UK duties are based on Cooling Indoor air temperature 22°C DB/16°C WB Outdoor air temperature 28°C DB 50% RH, high fan speed, 5m pipe run.
Heating Indoor air temperature 21°C DB Outdoor air temperature -4°C DB 100% RH, high fan speed, 5m pipe run. Values are based on the maximum compressor output.
Data obtained from Toshiba Air Conditioning Web Data July 2013.