



# Soft&Go

Single flavour counter top machine to produce soft gelato and yogurt gelato.

Available with gear pump and peristaltic pump.

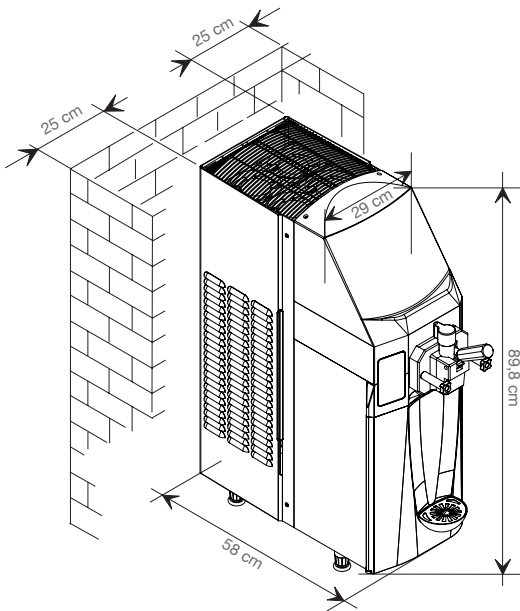
### **A compact machine**

Perfect for all shops that have limited space. Even in restaurants and in coffee shops it is now possible to taste a delicious gelato and frozen yogurt.

### **Efficient**

It produces excellent cream gelatos and fruit sorbets together with a very good frozen yogurt.





## Optional configurations



### Teorema Remote Control

It gives very important info about the machine, it facilitates the service system and helps the cleaning schedule



### Single portions dispensing head

With interchangeable nozzles to make single portions and delights

	Flavours	Pump	Production	Hourly production	Tank Capacity	Nominal Power	Fuse Size	Power Supply	Cooling System	Refrigerant	Net Weight
Soft&Go P Soft&Go	1	Gears Peristaltic	kg / h 14*	(70gr portions) 200* 180*	lt 5	kW 1,8	A 16	230/50/1**	Air	R404	kg 90 88

\* production capacity depends on the mix used and the room temperature

\*\* other voltages and cycles available upon request

## Features

## Benefits

Able to work with "bag in box" system	Possibility to feed the cylinder directly from the original mix container ( bag in box system)
Multifunction panel	Soft & go will inform you about: mix temperature, consistency, status of the product and status of the mix in the hopper
Visual alarm	Alarms for: mix is missing, wrong mix filling, cabinet door open, cabinet defrost needed and machine cleaning
Front cabinet	It has authomatic defrost system, it is ventilated and cooled
Air cooled	Vertical ventilation with side intake and top air coming out
Front mix filling	Very easy mix filling directly from the front of the machine. All you need to do is open the door cabinet and pour the mix in the bowl