



CLOSED FIREPLACE

FORMA WOOD

75 DX-SX

95 DX-SX

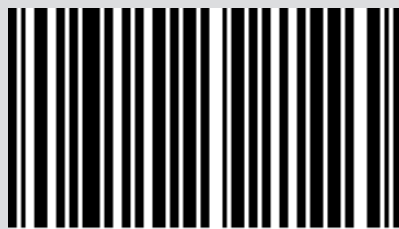
T95

T50



Translation of original instructions

MCZ



8901235000

TABLE OF CONTENTS

TABLE OF CONTENTS	II
INTRODUCTION	1
1-WARNINGS AND WARRANTY CONDITIONS	2
2-FUEL	6
3-INSTALLATION	7
4-FLUE	8
5-DIMENSIONS AND TECHNICAL CHARACTERISTICS.....	16
6-INSTALLATION AND ASSEMBLY	21
7-OPERATION	28
8-MAINTENANCE AND CLEANING	34

INTRODUCTION

Dear Customer,

our products are designed and manufactured in compliance with European reference Standards for construction products (EN13240 wood-burning stoves, EN14785 pellet-burning appliances, EN13229 fireplaces/wood-burning inserts, EN 12815 wood-burning cookers), with high quality materials and extensive experience in the transformation processes.

To get the best performance, we suggest you read the instructions in this manual carefully.

This installation and use manual forms an integral part of the product: ensure that the manual is always supplied with the device, even if the boiler changes owner. If the manual is lost, you can request another copy from the local technical service or download it directly from the company website.

All local regulations, including those regarding national and European regulations, must be respected when the device is installed.

In Italy, for the installation of devices with biomass lower than 35KW, refer to ministerial decree 37/08, and the qualified installation technician with the appropriate requisites must issue a certificate of compliance for the system installed. (By system one means Stove+Chimney+Air inlet).

REVISIONS TO THE PUBLICATION

The content of this manual is strictly technical and the property of MCZ Group Spa.





No part of this manual may be translated into other languages, adapted or reproduced, even in part, in other mechanical or electronic forms, photocopies, recordings or other, without the prior written authorisation from MCZ Group Spa.

The company reserves the right to make changes to the product at any time without prior notice. The proprietary company reserves its rights according to the law.

CARE OF THE MANUAL AND HOW TO CONSULT IT

- Take care of this manual and keep it in an easily accessible place.
- Should the manual be misplaced or ruined, request a copy from your retailer or directly from the authorised Technical Assistance Department. It can be downloaded from the company website.
- The "**text in bold**" must be read with particular care.
- The "*text in italics*" draws attention to other sections in this manual or clarifications.
- "NOTE" provides the reader with additional information.

SYMBOLS USED IN THE MANUAL

	ATTENTION: Read the relative message with care as failure to observe the information provided could result in serious damage to the product and put the persons who use it at risk.
	INFORMATION: failure to comply with these provisions will compromise the use of the product.
	OPERATING SEQUENCES: sequence of buttons to be pressed to access the menus or change settings.
	MANUAL carefully read this manual or the relative instructions.

1-WARNINGS AND WARRANTY CONDITIONS



SAFETY PRECAUTIONS

- **Installation, electrical connection, function test and maintenance must only be carried out by authorised and qualified personnel.**
- **Install the product in accordance with all local and national legislation and regulations in force in the region or state.**
- Only use the fuel recommended by the manufacturer. The product must not be used as an incinerator.
- It is strictly forbidden to use alcohol, petrol, liquid fuel for lanterns, diesel, bio-ethanol, fluids for lighting charcoal or similar liquids to light/rekindle the flame in these devices. Keep these flammable liquids well away from the appliance when in use.
- Do not insert fuel other than wood in the combustion chamber.
- The instructions provided in this manual must always be complied with to ensure the product and any electronic appliances connected to it are used correctly and accidents are prevented.
- The user, or whoever is operating the product, must read and fully understand the contents of this installation guide before performing any operation. Errors or incorrect settings can cause hazardous conditions and/or poor operation.
- Do not climb on or lean on the product.
- Do not put linen on the product to dry. Any drying racks or similar objects must be kept at a safe distance from the product. **Fire hazard.**
- *All liability for improper use of the product is entirely borne by the user and relieves the Manufacturer from any civil and criminal liability.*
- Any type of tampering or unauthorised replacement with non-original spare parts could be hazardous for the operator's safety and relieves the company from any civil and criminal liability.
- Many of the surfaces of the product get very hot (door, handle, glass, smoke extraction pipes, etc.). **Avoid coming into contact with these parts, without adequate protective clothing or suitable implements, such as gloves with thermal protection** or "cold handle" operating systems.
- **It is forbidden to operate the product with the door open or the glass broken.**
- The product must be powered by an electrical system that is equipped with an effective earthing system.
- Do not wash the product with water.
- Do not stand for a long time in front of the product in operation. Do not overheat the room you are in and where the product is installed. This could cause injuries and health problems.
- Install the product in a location that does not present a fire hazard and is equipped with power and air supplies and smoke extractors.
- Do not use water to put the fire out.
- In the event the chimney catches fire never open the fuel loading door. Then contact the competent authorities.
- The product and the cladding must be stored in a dry place and must not be exposed to weathering.
- It is recommended not to remove the feet that support the product in order to guarantee adequate insulation, especially if the flooring is made of flammable materials.
- Special maintenance must only be performed by authorised and qualified personnel.
- Assess the static conditions of the surface on which the weight of the product will rest and provide suitable insulation if it is made of flammable material (e.g. wood, fitted carpet or plastic).

1-WARNINGS AND WARRANTY CONDITIONS

INFORMATION:

Please contact the retailer or qualified personnel authorised by the company to resolve a problem.

- You must only use the fuel specified by the manufacturer.
- When the product is switched on for the first time it is normal for it to emit smoke due to the paint overheating. Therefore make sure the room in which it is installed is well ventilated.
- Check and clean the smoke extraction pipes regularly (connection to the chimney).
- The product is not a cooking appliance.
- Store this installation and use manual with care as it must accompany the product for the duration of its useful life. If the product is sold or transferred to another user, ensure the manual is also handed over.

INTENDED USE

The product only works with wood logs and must be installed indoors.

WARRANTY CONDITIONS

The company guarantees the product, **with the exception of elements subject to normal wear** listed below, for a period of **2 (two) years** from the date of purchase attested by:

- a document to serve as proof of purchase (invoice and/or receipt) that shows the name of the vendor and the date on which the purchase was made;
- forwarding of the completed certificate of guarantee within 8 days of purchase;

Furthermore, the product must be installed and started by specialised personnel who must, where provided, issue a declaration of conformity of the plant and of the proper functioning of the product, for the warranty to be valid and effective.

We recommend testing the product before completion with the relative finishes (claddings, painting of walls, etc.).

Installations not meeting the current standards, improper use and lack of maintenance as expected by the manufacturer, void the product warranty.

The guarantee is valid on the condition that the instructions and warnings contained in the use and maintenance manual are observed, and therefore the product is used correctly.

The replacement of the entire system or the repair of one of its components does not extend the guarantee period, and the original expiry date remains unchanged.

The guarantee covers the replacement or free repair **of parts recognised as being faulty at source due to manufacturing defects**. To benefit from the guarantee, in the event of a fault, the customer must have the guarantee certificate and present it with the proof of purchase document to the Technical Assistance Office.

1-WARNINGS AND WARRANTY CONDITIONS

EXCLUSIONS

The guarantee does not cover malfunctions and/or damage to the appliance that arise due to the following causes:

- Damage caused during transportation or relocation
- all parts that develop faults due to negligence or improper use, incorrect maintenance, installation that does not comply with the manufacturer's instructions (always refer to the installation and use manual provided with the appliance)
- incorrect dimensioning with regards to the use or faults in the installation or failure to adopt the necessary devices to guarantee proper execution
- improper overheating of the equipment, use of fuels not conforming to the types and quantities indicated in the instructions provided
- further damage caused by incorrect user interventions in an attempt to fix the initial fault
- worsening of the damage due to the continued use of the equipment by the user, once the defect has been noticed
- in the presence of a boiler, any corrosions, incrustations or breaks caused by water flow, condensation, hardness or acidity of the water, improperly performed descaling treatments, lack of water, mud or limescale deposits
- inefficiency of chimneys, flues or parts of the plant affecting the equipment
- damage due to appliance tampering, weathering, natural disasters, acts of vandalism, lightning, fire
- defects of the electrical and/or hydraulic system.

This warranty also does not cover:

- parts subject to normal wear such as gaskets, glass, claddings and cast iron grids, painted, chrome-plated or gilded parts, handles and electric cables, bulbs, indicator lights, knobs, all parts which can be removed from the hearth.
- Variations in colour of the painted or ceramic/serpentine parts and craquelure ceramics as they are natural characteristics of the material and product use.
- masonry work
- plant parts (if present) not supplied by the manufacturer

Any technical interventions on the product to eliminate the above-said defects and consequent damages must be agreed upon with the Technical Assistance Centre, who reserves the right to accept the relative appointment or not. However, said interventions will not be carried out under warranty but as technical assistance to be granted at part of any eventual and specific agreed conditions and in accordance with the fee in force for the work to be carried out.

The user will also be charged for any costs incurred to remedy the incorrect technical interventions, tampering or damage to the appliance, not attributable to original faults.

Save for the legal or regulatory limits, the guarantee does not cover the containment of atmospheric and acoustic pollution.

The company declines all liability for any damage which may be caused, directly or indirectly, to persons, animals or objects as a consequence of non compliance with any prescription specified in the manual, especially warnings regarding installation, use and maintenance of the appliance.

1-WARNINGS AND WARRANTY CONDITIONS

SPARE PARTS

In the event of a malfunction, consult the retailer who will forward the call to the Technical Assistance Service.

Use only original spare parts. The retailer or service centre can provide all necessary information regarding spare parts. We do not recommend waiting for the parts to be worn before having them replaced. It is important to perform regular maintenance.



The company declines all liability if the product and any other accessory is used improperly or modified without authorisation.

All parts must be replaced with original spare parts.

WARNINGS FOR THE CORRECT DISPOSAL OF THE PRODUCT.

The owner is the sole party responsible for demolishing and disposing of the product. This must be performed in compliance with laws related to safety and environmental protection in force in his/her country.

At the end of its working life, the product must not be disposed of as urban waste.

It must be taken to a special differentiated waste collection centre set up by the local authorities or to a retailer that provides this service. Separating and recycling prevents potential negative effects on the environment and health (often caused by inappropriately disposing of product parts). It also allows materials to be recovered in order to obtain significant savings in energy and resources.

2-FUEL

The instructions in this chapter refer explicitly to the Italian installation regulation UNI 10683. In any case, always observe the domestic regulations in force.

FUEL

Below are some useful instructions for the correct use of the product

- Only burn natural, untreated wood with maximum humidity of 20%, which corresponds to cut wood with 2 years of correct drying (FIG.A).
- All types of wood are suitable, both hard and soft: beech, maple, oak, birch, acacia, fir, pine, larch, etc.
- Always use wood that is of the right size and not intact, because a whole log impedes the supply of air inside.
- Always burn the wood horizontally and not standing up
- For each load, always use the amount of wood indicated by the manufacturer and do not load one piece after another, because the flame would never reach a sufficient temperature for proper combustion.
- Do not insert an amount above that indicated to prevent excessive flames with excessively high smoke and wall temperatures.
- The thickness and length of the wood must always comply with the manufacturer's indications: the size must be about 7-10 cm and the length (25 or 30cm) depends on the size of the hearth in the combustion chamber. (FIG.B)

Below are some useful indications for the correct storage of the wood:

- stored wood must already be sized for use.
- optimal drying requires a minimum of 2 years (longer times would not lead to a increased drying).

Storage must be:

- well ventilated and aired (FIG.C)
- covered to protect from rain and protected from sunlight, because the wood would lose quality
- not resting directly on the floor but at a distance of about 20-30 cm to prevent rotting.
- At a distance of about 5-10 cm from walls.
- Possibly outside, otherwise in rooms or cellars that are well ventilated, preventing the formation of mold (always leave the window open!).
- Wood must always be stored at a sufficient safe distance from the combustion unit - always comply with the fire and safety regulations.

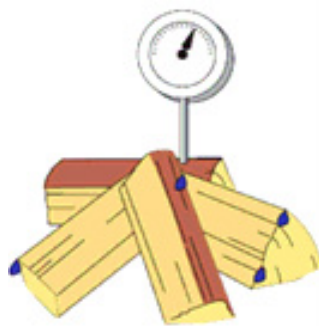


FIG.A - MAX HUMIDITY 20%



FIG.B - MAX SIZE 7-10 CM



FIG.C - WOOD STORAGE

3-INSTALLATION

INSTALLATION FOREWORD

The installation position must be chosen according to the room, to the smoke extraction system, to the chimney flue. Check with local authorities whether there are any restrictive regulations in force regarding the combustion air inlet, the smoke outlet system, the flue or the chimney cap. The manufacturer declines all responsibility in the event of installations that do not comply with the laws in force, incorrect room air exchange, electrical connection non-compliant with the standards and inappropriate use of the appliance. The installation must be carried out by a qualified technician, who must issue a declaration of conformity of the system to the purchaser and will assume full responsibility for final installation and consequent good operation of the product.

In particular one must ensure that:

- there is a suitable combustion air inlet and smoke outlet in compliance with the type of product installed
- other stoves or devices installed do not cause depression in the room where the product is installed
- when the product is switched on there is no reflux of smoke in the room
- fumes extraction takes place in total safety (sizing, smoke seal, distances from flammable materials..).

We especially recommend to check the data tags of the flue for the safety distances that must be observed in presence of combustible materials and the type of insulating material to be used. These indications must be followed strictly to prevent serious harm to people and the integrity of the home. The installation of the appliance must ensure easy access to clean the appliance itself, the smoke outlet pipes and the flue. **It is forbidden to install the product in rooms with a fire hazard. Installation in studio flats, bedrooms and bathrooms is only allowed with sealed or closed appliances equipped with suitable combustion air ducting directly outside. Always maintain adequate distance and protection in order to prevent the product from coming into contact with water.**

In the event there are several appliances installed, the external air inlet must be sized accordingly.

MINIMUM DISTANCES

We recommend installing the stove away from walls and furniture, with a minimum clearance to allow effective aeration of the appliance and a good distribution of heat in the room. Observe the distances from flammable or heat-sensitive objects (sofas, furniture, wood panelling, etc.) as specified. The front distance from flammable materials must be at least 1 metre.

If particularly delicate objects are present, such as furniture, curtains or sofas, increase the product clearance accordingly.

If the floor is made of combustible material, it is recommended to use protection made of non-combustible material (steel, glass...) that also protects the front from falling combusted material during cleaning operations.

The appliance must be installed on a floor with adequate load capacity.

If the existing construction does not meet this requirement, one must take appropriate measures (for example a load distribution plate).

4-FLUE

SMOKE FLUE

FOREWORD

The Chimney Flue chapter has been drawn up with reference to the provisions of European Standards (EN13384 - EN1443 - EN1856 - EN1457).

The chapter provides indications for installing an efficient and correct smoke flue but is under no circumstances to substitute the regulations in force, which the qualified technician must be in possession of. Check with local authorities whether there are any restrictive regulations in force regarding the intake of air for combustion, the smoke extraction system, the flue or the chimney.

The company declines all liability relating to the poor functioning of the boiler if this is due to the use of an insufficiently sized flue in violation of regulations in force.

SMOKE FLUE

The flue or chimney is of great importance for the proper operation of a solid fuel-burning heating appliance with natural draught, as modern heating appliances have high efficiency with cooler flue gasses and consequently less draught, it is therefore essential that the flue is built up to standard and always kept in perfect working order. A flue that serves a wood-burning appliance must be at least category T400 (or greater if the appliance requires so) and resistant to soot fires. Smoke must be extracted through a single flue made of insulated steel (A) or an existing flue that complies with the intended use (B).

A simple air shaft in cement must be suitably lined. In both solutions there must be an inspection cap (AT) and/or inspection hatch (AP) - FIG.1.

It is prohibited to connect more than one wood/pellet or any other type of appliance (vent cowlng...) to the same flue.

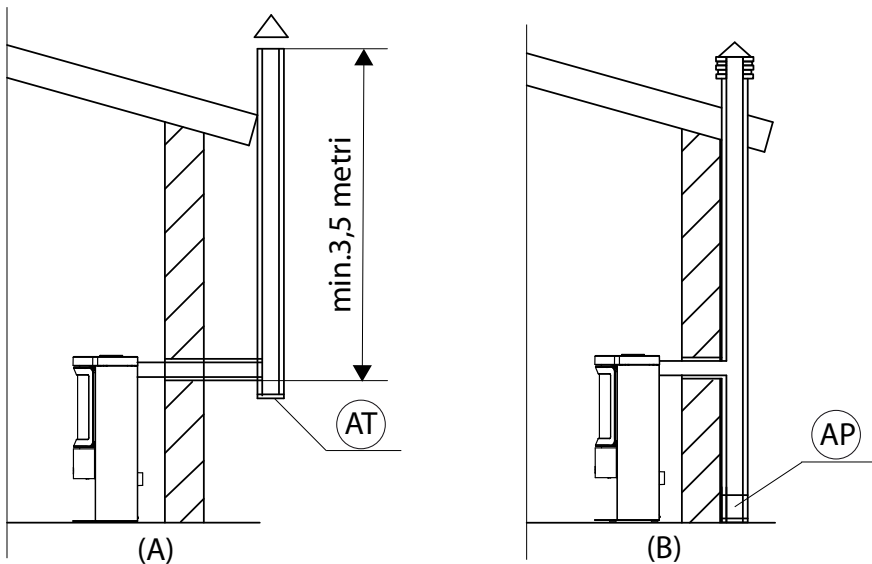


FIGURE 1 - SMOKE FLUE

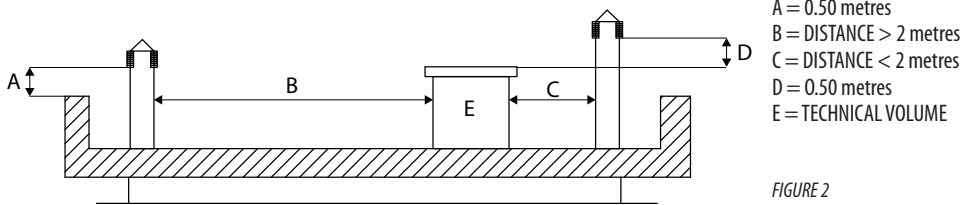
4-FLUE

TECHNICAL CHARACTERISTICS

Have the efficiency of the flue checked by an authorised technician.

The flue must be sealed against flue gasses, in a vertical direction without narrowing, be made with materials impermeable to smoke, condensation, thermally insulated and suitable to resist normal mechanical stress over time (we recommend fireplaces made of A/316 or refractory material with insulated round section double chamber). Be suitably insulated externally to avoid condensation and reduce smoke cooling. It should be separated from combustible or flammable materials with an air gap or insulating materials: check the distance specified by the manufacturer of the fireplace according to EN1443. The chimney opening must be in the same room as the appliance, or at most in the adjoining room, and have a soot and condensation collection chamber beneath the opening, and be accessible via a watertight metal hatch.

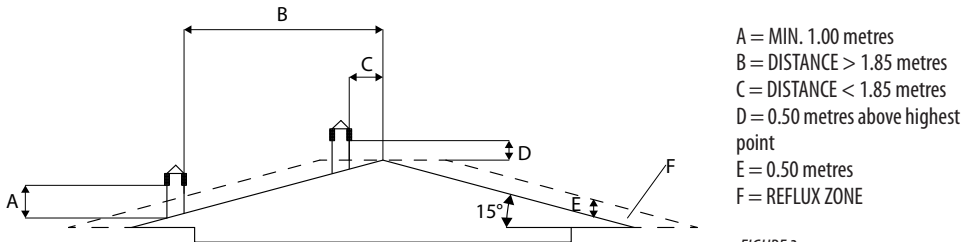
FLAT ROOF



- A = 0.50 metres
- B = DISTANCE > 2 metres
- C = DISTANCE < 2 metres
- D = 0.50 metres
- E = TECHNICAL VOLUME

FIGURE 2

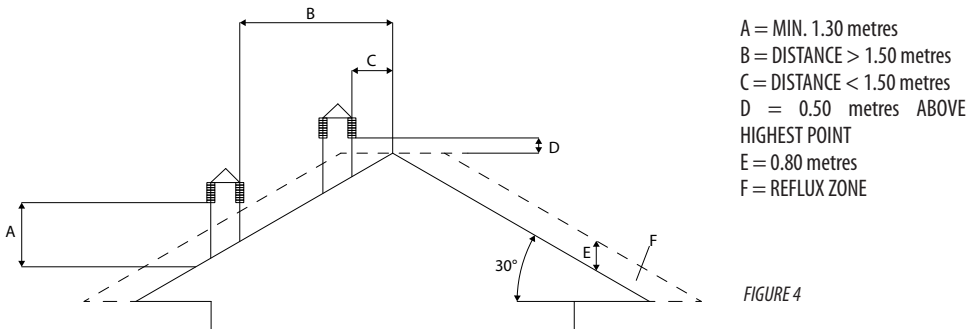
ROOF AT 15°



- A = MIN. 1.00 metres
- B = DISTANCE > 1.85 metres
- C = DISTANCE < 1.85 metres
- D = 0.50 metres above highest point
- E = 0.50 metres
- F = REFLUX ZONE

FIGURE 3

ROOF AT 30°



- A = MIN. 1.30 metres
- B = DISTANCE > 1.50 metres
- C = DISTANCE < 1.50 metres
- D = 0.50 metres ABOVE HIGHEST POINT
- E = 0.80 metres
- F = REFLUX ZONE

FIGURE 4

4-FLUE

ROOF AT 60°

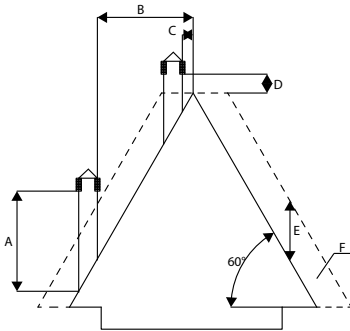


FIGURE 5

- A = MIN. 2.60 metres
- B = DISTANCE > 1.20 metres
- C = DISTANCE < 1.20 metres
- D = 0.50 metres ABOVE HIGHEST POINT
- E = 2.10 metres
- F = REFLUX ZONE

ROOF AT 45°

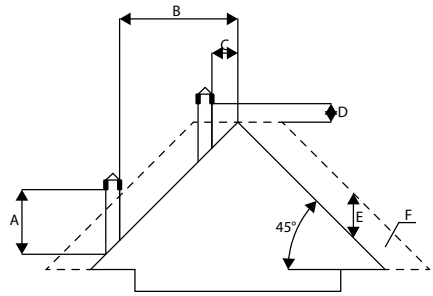


FIGURE 6

- A = MIN. 2.00 metres
- B = DISTANCE > 1.30 metres
- C = DISTANCE < 1.30 metres
- D = 0.50 metres ABOVE HIGHEST POINT
- E = 1.50 metres
- F = REFLUX ZONE

DIMENSIONING

The drop in pressure (draft) of a flue depends on its height. Check the drop in pressure with the values indicated in the technical characteristics. The minimum height of the chimney is 3.5 meters.

The interior cross-section of the flue can be circular (best variation), square or rectangular (the ratio between the interior sides must be ≤ 1.5) with the sides joined with a minimum radius of 20 mm. The size of the section must be minimum equal to that of the unit outlet (smaller diameters must be confirmed by an adequate system size calculation).

The cross-sections/lengths of the chimneys shown in the technical data tables are indications for correct installation. Any alternative configurations must be correctly dimensioned in accordance with the general method of calculation of UNI EN13384-1 or other proven efficiency methods.

Below is a list of some flues available on the market:

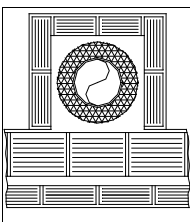
Steel chimney AISI 316 with double chamber insulated with ceramic fibre or equivalent resistant up to 400°C.

Refractory chimney with double insulated chamber and external lightweight concrete cladding with cellular material such as clay.

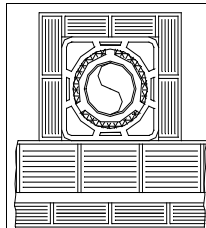
Traditional square-section clay chimney with insulating empty inserts.

Avoid products with an internal rectangular section where the larger side is 1.5 times the smaller side (e.g. 20x40 or 15x30).

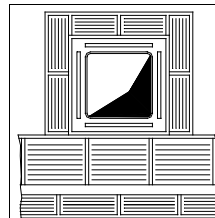
EXCELLENT



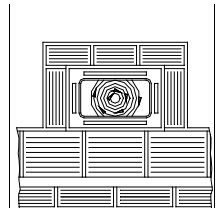
GOOD



POOR



VERY POOR



4-FLUE

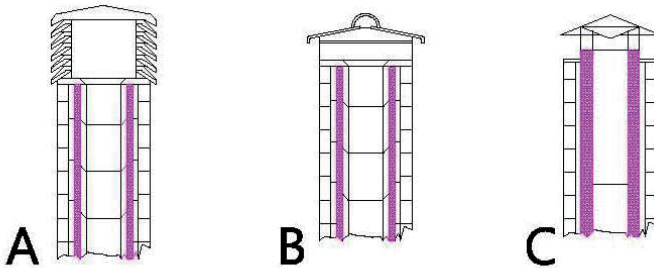
MAINTENANCE

The flue must be kept clean, since the deposit of soot or unburned oils reduces the cross-section reducing the draft, thus compromising the efficient operation of the product and, if large build-ups accumulate, they can catch fire. The flue and chimney must be cleaned and checked by a qualified chimney sweep at least once a year. Once the maintenance has been performed, request a written declaration that the device is safe.

Failure to clean the system jeopardises the safety.

CHIMNEY

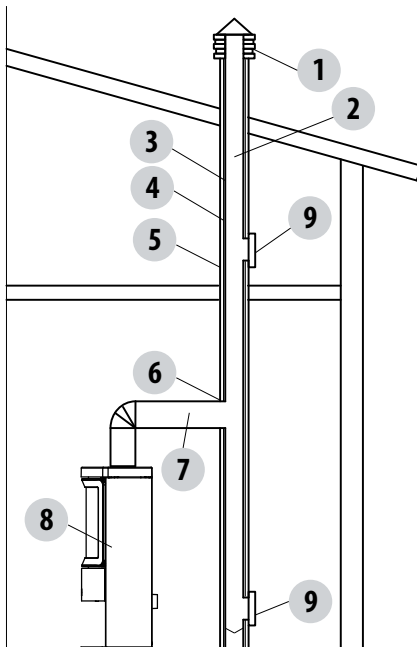
The chimney is a crucial element for the heating appliance to work properly: we recommend a wind proof chimney (A), see Figure 7.



The area of the opening for smoke extraction must be at least double the cross-section of the smoke duct/flue system, and arranged so that smoke extraction is ensured even in strong wind. The chimney must prevent rain, snow or animals from entering the chimney. The height of outflow into the atmosphere must be beyond the reflux zone created by the shape of the roof or any obstacles near the outlet (see Figures 2-3-4-5-6).

FIGURE 7

CHIMNEY COMPONENTS



- KEY:
- (1) CHIMNEY
 - (2) REFLUX CHANNEL
 - (3) SMOKE DUCT
 - (4) THERMAL INSULATION
 - (5) OUTSIDE WALL
 - (6) CHIMNEY CONNECTION
 - (7) SMOKE CHANNEL
 - (8) HEAT GENERATOR
 - (9) INSPECTION ACCESS PANEL

FIGURE 8

4-FLUE

EXTERNAL AIR INLET

It is mandatory to provide an adequate external air intake that supplies the combustion air required for the product to work properly. The flow of air between the outside and the installation room may be direct, through an inlet in an external wall of the room; or indirect, via air intake from adjoining rooms and connecting permanently with the installation room (see Figure 9 b). Adjoining areas may not include sleeping areas, garages or general areas with a fire hazard. During installation one must check the minimum clearances required for air intake from outside. Take into account the presence of doors and windows that could interfere with the proper flow of air to the product (see diagram below).

The air intake must have a minimum total net area of 150 cm² (for fireplaces/inserts - 100 cm² for stoves): the surface must be increased accordingly if within the room there are other active generators (for example: electric fan for stale air extraction, kitchen hood, other stoves, etc...), which could cause depression in the room. One must verify that, with all the equipment on, the pressure drop between the room and the outside does not exceed a value of 4 Pa. If necessary increase the intake section of the air inlet, which must be made at floor level and always protected with a bird-proof outer protection grid and in such a way that it cannot be obstructed by any object.

One can connect the air required for combustion directly to the external air inlet, with a non-compressible pipe (e.g. spiral). For air ducts up to 3 m, increase the cross-section by approximately 5%, longer ducts increase it by 15%.

FIGURE 9 a - directly from outside

FIGURE 9 b - indirectly from the adjacent room

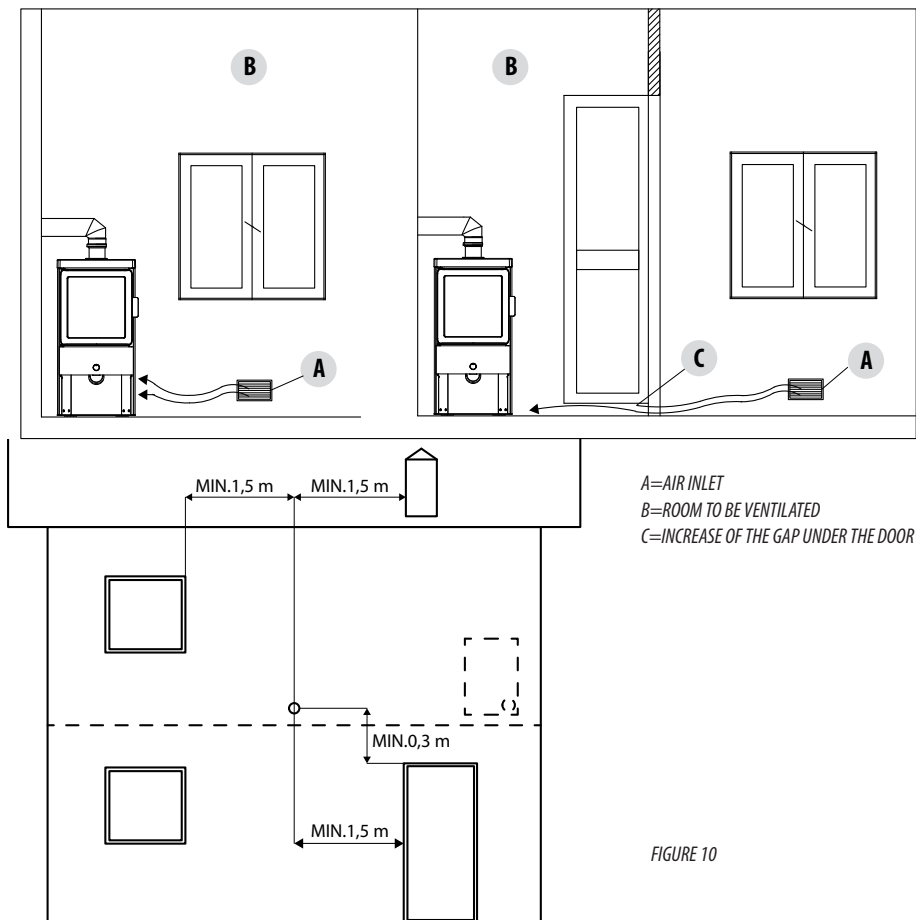


FIGURE 10

4-FLUE

For stoves installed in studio flats, bedrooms and bathrooms (where allowed), it is mandatory to connect the combustion air outside. In particular for sealed products the connection must be sealed in order not to compromise the overall sealed characteristic of the system.

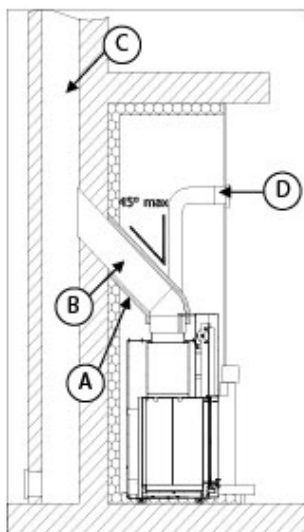
DISTANCE (metres)	The air inlet must be at a distance of:	
1.5 m	UNDER	Windows, doors, smoke outlets, cavities,
1.5 m	HORIZONTALLY	Windows, doors, smoke outlets, cavities,
0.3 m	ABOVE	Windows, doors, smoke outlets, cavities,
1.5 m	AWAY	from smoke outlet

CONNECTION TO FLUE

The connection between the flue and the appliance must be via a smoke duct that conforms with EN 1856-2. To connect the fireplace to the chimney flue or to a ceiling connection that is not coaxial to the unit's smoke outlet, changes of direction must be made using open bends no greater than 45° with respect to the vertical.

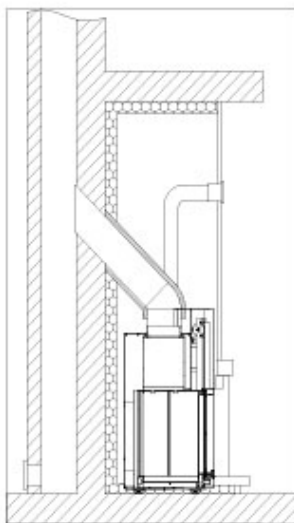
For stoves the connecting section to the flue must extend no more than 2 m horizontally, with a minimum slope of 3% and with a maximum of 3 90° bends (accessible for inspection - do not count the T fitting at the unit outlet).

The diameter of the smoke duct must be equal to or greater than that of the appliance outlet. A possible increase/reduction of the cross-section is only allowed when the flue is connected (in particular the reduction must be confirmed by an adequate system size calculation).



EXAMPLE OF HYDRO FIREPLACE FITTING

- A. CERAMIC FIBRE INSULATION
- B. SMOKE FITTING
- C. CHIMNEY FLUE
- D. HOOD GRILLE



TYPICAL DIAGRAM OF A CORRECTLY LAID CHIMNEY FLUE WITH, AT THE FOOT OF THE EXTERNAL RISING SECTION, THE POSITIONING OF A CHAMBER WITH A SEALED HATCH TO COLLECT AND REMOVE THE SOLID MATERIALS PRODUCED DURING COMBUSTION.

4-FLUE

TYPE OF DEVICE	SMOKE DUCT
Minimum vertical length	1.5 metres
Maximum length (with 1 accessible 90° bend)	4.5 metres
Maximum length (with 3 accessible 90° bends)	2.5 metres
Maximum number of accessible 90° bends	3
Horizontal sections (minimum incline 3%)	2 metres

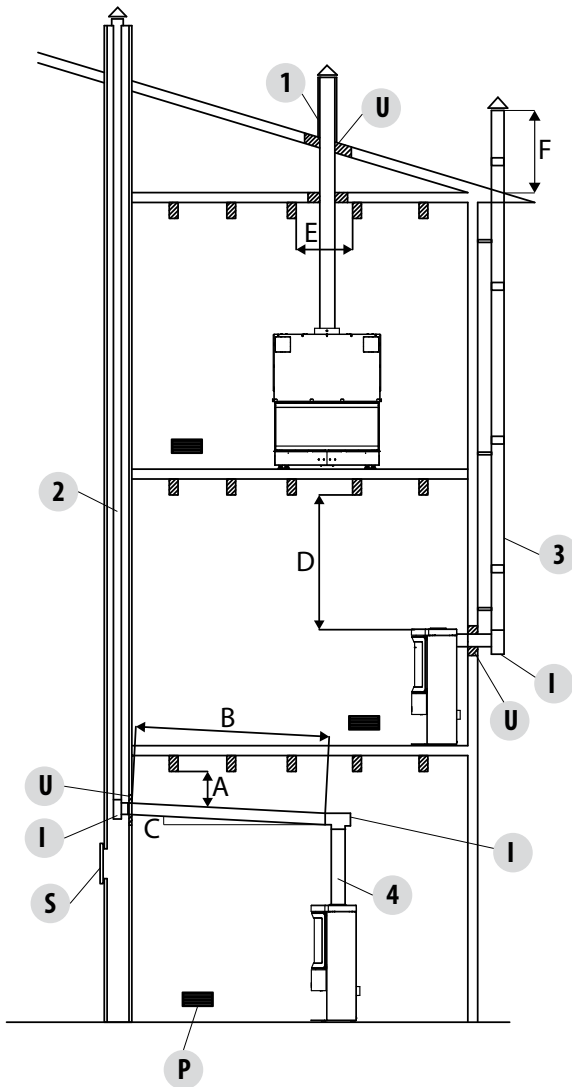
Use smoke ducts that are able to withstand the unit operating temperatures (min. T400). **The use of flexible metal tubes in fibre cement or aluminium is prohibited. For direction changes, we always recommend the use of a T joint** with an inspection cap allowing easy access for cleaning the tubes. Always ensure that the inspection cap is replaced and hermetically sealed with the seal in tact after cleaning.

It is prohibited to connect more than one appliance to the same smoke duct, or the discharge from overhead cowling. It is prohibited to extract the products of combustion directly through the wall, whether into indoor spaces or outdoors.

The smoke duct must be installed observing the safety distances from flammable materials as specified on the data plate (e.g. G400= 400 mm).

4-FLUE

EXAMPLES OF CORRECT INSTALLATION



1. Installation of $\varnothing 200\text{mm}$ flue with hole for the passage of the pipe increased by:
 minimum 100 mm around the tube if next to non flammable parts such as cement, brick, etc.; or
 minimum 400mm around the pipe (or as required by data tags) if next to flammable parts such as wood etc.
 In both cases, install suitable insulation between the flue and the ceiling.

Always check and respect the data tags on the flue, in particular the minimum safety distances from combustible materials.

The previous rules also apply for holes made in walls.

2. Old flue, minimum tube $\varnothing 200\text{mm}$ with the inclusion of an external access door for chimney cleaning.

3. External flue made of insulated stainless steel tubes, i.e. with double walls minimum $\varnothing 200\text{mm}$: all securely mounted to the wall. With wind-proof chimney. See fig. 7 type A.

4. Ducting system using T fittings that allow easy access for cleaning without having to remove the pipes.

NOTE: in the event of hydro fireplaces maintain the safety distance indications with the included insulation indications.

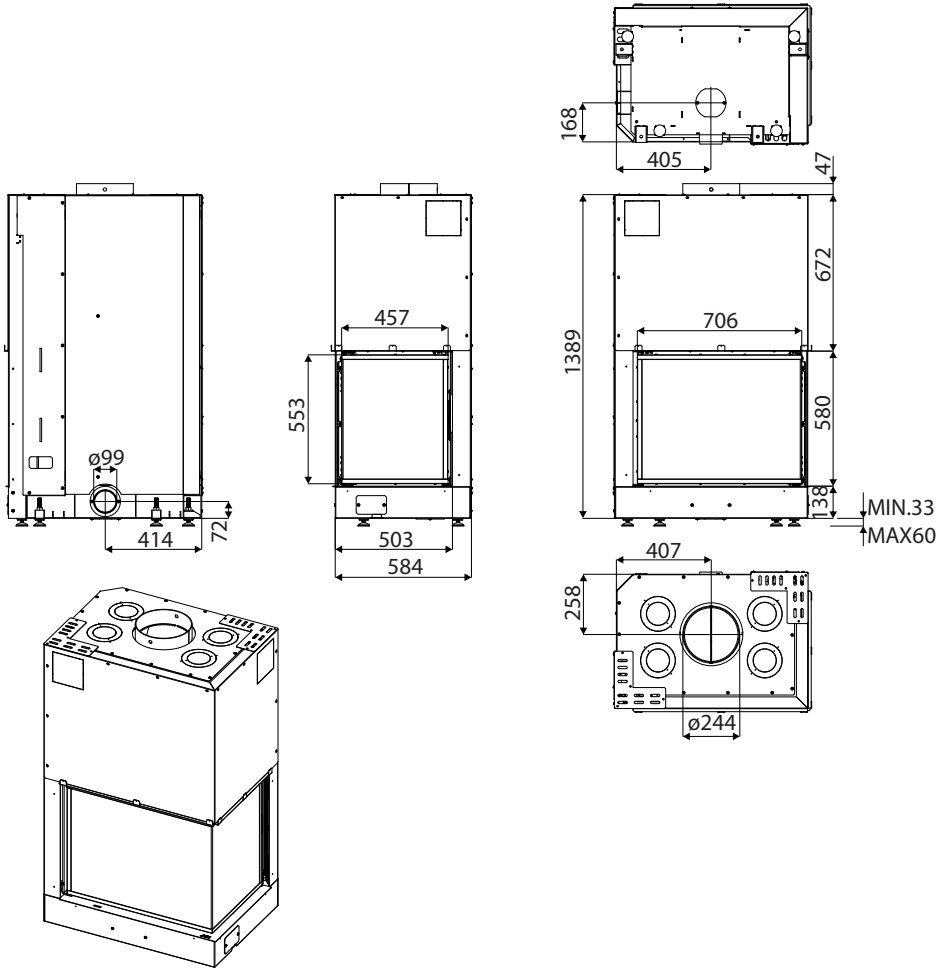
FIGURE 11

u = insulating
i = inspection cap
s = inspection access panel
P = air inlet

a = minimum 40 mm
b = maximum 2 m
c = minimum 3°
d = minimum 400 mm
e = hole diameter
f = see fig.2-3-4-5-6

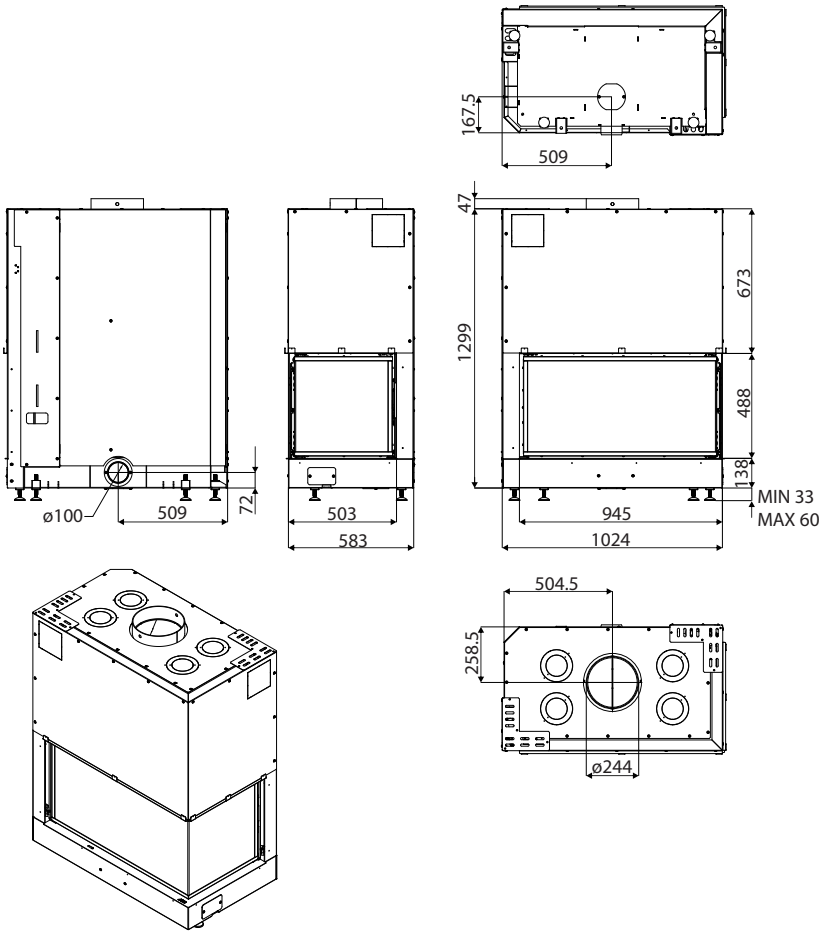
5-DIMENSIONS AND TECHNICAL CHARACTERISTICS

FORMA WOOD 75 DX-SX DIMENSIONS (SX - LEFT VERSION IN FIGURE)



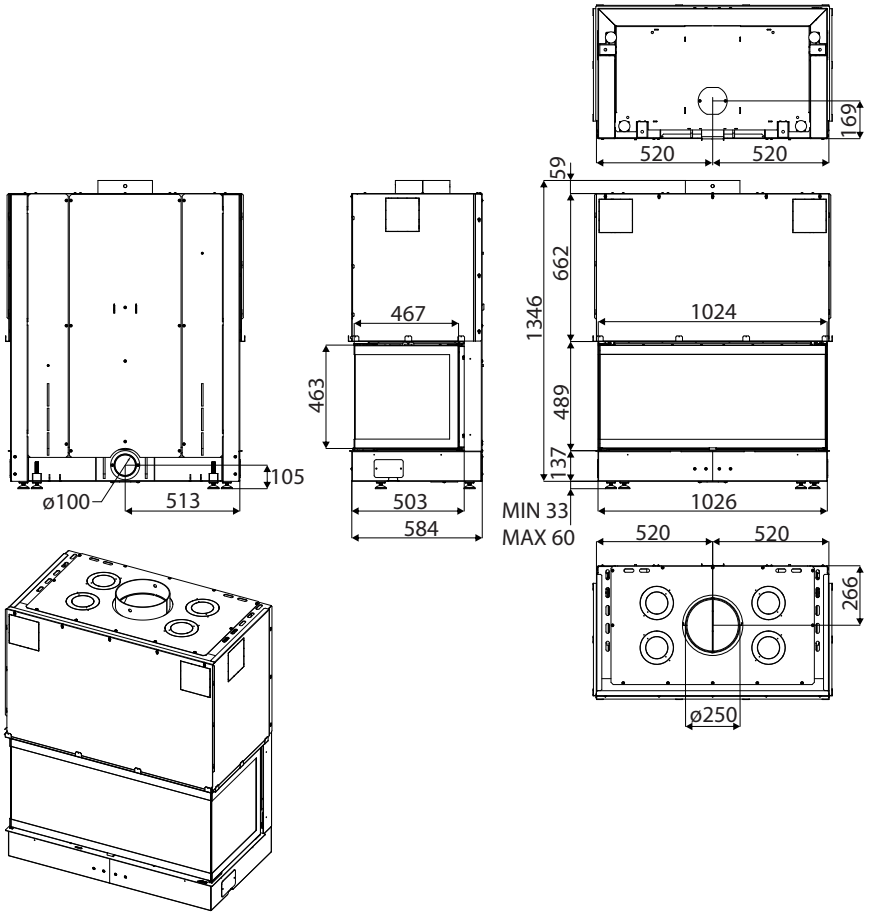
5-DIMENSIONS AND TECHNICAL CHARACTERISTICS

FORMA WOOD 95 DX-SX DIMENSIONS (SX - LEFT VERSION IN FIGURE)



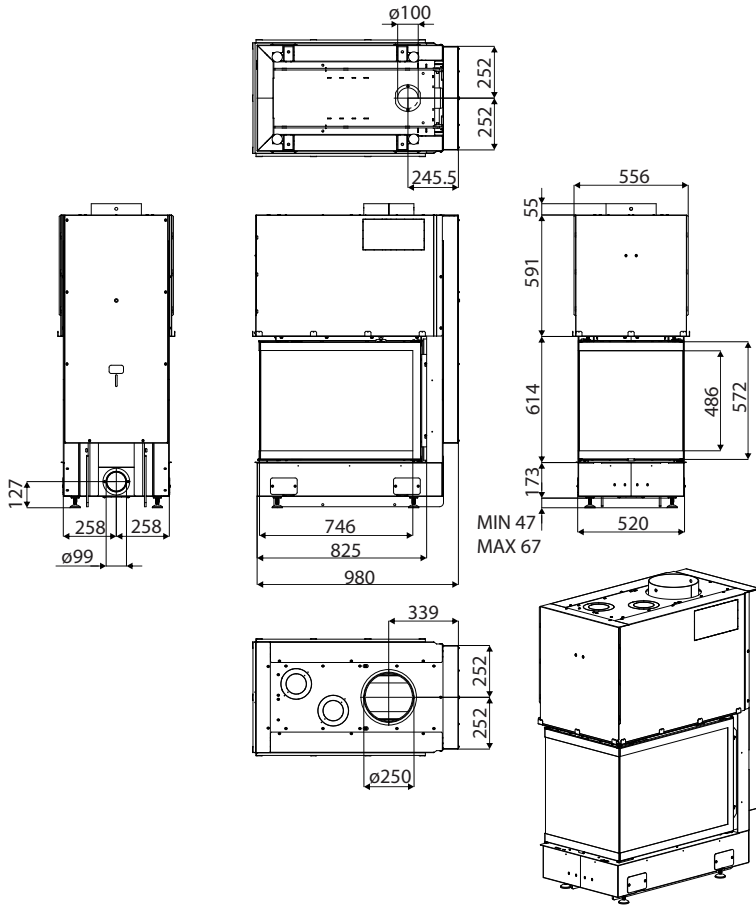
5-DIMENSIONS AND TECHNICAL CHARACTERISTICS

FORMA WOOD T95 DIMENSIONS



5-DIMENSIONS AND TECHNICAL CHARACTERISTICS

FORMA WOOD T50 DIMENSIONS



5-DIMENSIONS AND TECHNICAL CHARACTERISTICS

TECHNICAL CHARACTERISTICS

TECHNICAL CHARACTERISTICS	FORMA WOOD 75 DX-SX	FORMA WOOD 95 DX-SX/T95	FORMA T50
Type of fuel	Wood	Wood	Wood
Hourly consumption	2,9 kg/h	3,4 kg/h	2,9 kg/h
Reloading/load time	45 min / 2,2 kg*	45 min / 2,5 kg*	45 min / 2,3 kg*
Nominal output power:	kW 10,6 (Kcal/h 9116)	kW 12,3 (Kcal/h 10587)	kW 11,5 (Kcal/h 9890)
Minimum power output:	kW 3,5 (Kcal/h 3010)	kW 3,5 (Kcal/h 3010)	kW 6,3 (Kcal/h 5418)
Efficiency	78,6%	78,5%	81,3%
CO emission in smoke (13% O ₂)	0,16%	0,16%	0,07%
Particulate/OGC/Nox (13% O ₂)	73 mg/Nm ³ -123 mg/Nm ³ - 138 mg/Nm ³	74 mg/Nm ³ -123 mg/Nm ³ - 138 mg/Nm ³	25 mg/Nm ³ -75 mg/ Nm ³ - 129 mg/Nm ³
Smoke mass flow rate	20,1 g/s	20,1 g/s	11,6 g/s
Smoke temperature	270 °C	280 °C	270°C
Recommended draught	12 Pa / 0,12 mbar	12 Pa / 0,12 mbar	12 Pa / 0,12 mbar
Heatable volume m ³	228/40–260/35–304/30	264/40–302/35–353/30**	247/40-283/35-330/30**
Smoke outlet	Ø 25 cm	Ø 25 cm	Ø 25 cm
Firebox dimensions	H=600 mm P=360 mm L=570 mm	H=480 mm P=360 mm L=800 mm	H=630 mm P=290 mm L=670 mm
Net weight	283 kg	345 kg (T95) / 305 kg (95dx/sx)	324 kg
External air inlet	150 cm ²	150 cm ²	150 cm ²
Distance from flammable material (back)	100 mm	100 mm	100 mm
Distance from flammable material (side)	100 mm	100 mm	100 mm
Distance from flammable material (underneath)	80 mm	80 mm	80 mm
Insulation thickness	40 mm	40 mm	40 mm
Flue			
Up to 5 m	30x30 cm Ø30	30x30 cm Ø30	30x30 cm Ø30
Over 5 m	25x25 cm Ø25	25x25 cm Ø25	25x25 cm Ø25

Notes

The stove is an intermittent combustion appliance.

* This data may vary according to the type of fuel used.

** Volume that can be heated, according to the power requirement in m³ (respectively 40-35-30 Kcal/h per m³)

Tested according to EN 13229 in line with Directive 89/106/EEC (Construction Products).

6-INSTALLATION AND ASSEMBLY



IMPORTANT!

The closed fireplace must be installed and connected to the flue duct exclusively by a specialised technician, in order for all local or national regulations to be complied with. Installation must in any case be in accordance with UNI 10683.

When the closed fireplace is unpacked, check that every part is in perfect working order and no damage has been caused during transport. Any damage must immediately be reported to the carrier or dealer.

If the closed fireplace is installed in a place that is difficult to access, the weight can be reduced by removing the internal elements of the firebox, but it is recommended to put all elements back in place properly and have this operation carried out exclusively by specialised personnel.

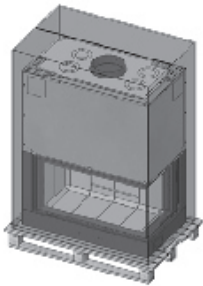
The manufacturer declines all liability if the warning above is not complied with.

PREPARATION AND UNPACKING

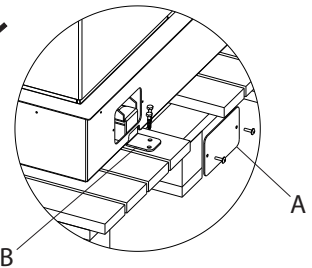
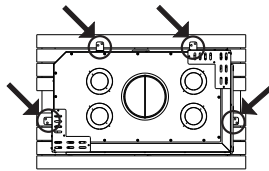
Open the package, remove the closed fireplace from the pallet and set it in the pre-selected place, making sure this complies with the requirements.



The closed fireplace must always remain in a VERTICAL position and handled solely with a cart. Do not drag the unit which could suffer damage to the support feet.



EXAMPLE OF CLOSED FIREPLACE PACKAGE



BLOCKING PLATES AND BRACKETS

To remove the closed fireplace from the pallet act as follows:

- Remove plate **A** by removing the screws
- Remove the two screws from bracket **B**

One can then remove the 4 locking brackets "B", after having inserted the feet or wheels (supplied), raising them and tilting them slightly to enable extraction. Pay particular attention to the door and its glass, protecting them from mechanical knocks that would compromise their integrity.

Always handle the products with care. If possible, unpack the closed fireplace near the area it will be installed in.

The packaging materials are neither toxic nor harmful, and therefore no particular disposal measures are required.

Storage, disposal or any recycling is under the responsibility of the end user in compliance with the applicable laws in force.

6-INSTALLATION AND ASSEMBLY

CHOICE OF OPERATING MODE



IMPORTANT!

Before installation one must decide which system to use.

The FORMA has the possibility to distribute hot air according to the **NATURAL CONVECTION (COMFORT AIR VN)** method or **FORCED CONVECTION (COMFORT AIR VF)** method via a forced ventilation kit.

Natural convection (COMFORT AIR VN)

In the case of natural ventilation, air enters naturally in the lower part of the closed fireplace.

Forced convection (COMFORT AIR VF)

If one uses this system, purchase the Comfort Basic Air Kit or the Comfort Air Slim optional kit and follow what is specified in the instructions contained in each kit.

COUNTERWEIGHTS UNLOCKING

The closed fireplace is supplied with the sliding counterweights locked to prevent dangerous knocks that could damage the sliding parts, door and ceramic glass during transportation and positioning.

To unlock the counterweights and therefore the door, remove the screws as shown in figure 1 from both sides of the closed fireplace in correspondence of the stickers with arrows placed on both sides.

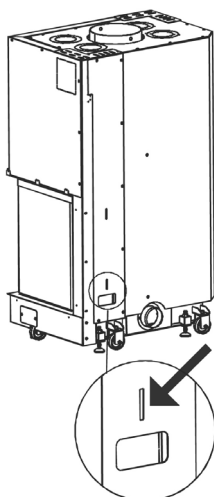


FIGURE 1 - COUNTERWEIGHTS BLOCKING SCREW



Remove the counterweights fixing screws only after having positioned the closed fireplace and to check that the glass is intact.

DO NOT HANDLE NOR MOVE THE CLOSED FIREPLACE WITHOUT THE COUNTERWEIGHTS FIXING SCREWS.

Damage caused by failure to comply with this rule is under the responsibility of the customer or whoever represents him.

6-INSTALLATION AND ASSEMBLY

POSITIONING

The **FORMA WOOD** closed fireplace may be positioned both at an angle or against a wall. One can customise it with the manufacturer's claddings or build them on site with materials resistant to high temperatures.

The closed fireplaces are freestanding units that simplify installation and that do not require any additional support. To facilitate moving the unit to the point in which it must be installed, the manufacturer supplies the closed fireplace with four swivel wheels that make moving the closed fireplace easier and not tiring. (figure 2)

Once the closed fireplace has been positioned, the wheels must be lifted from the ground or removed, so that the unit is stable on the floor. This is possible by adjusting the four feet pre-mounted on the closed fireplace.

Always assess the static conditions of the surface on which the weight of the product will rest and always leave a gap of at least 5 cm between the chimney and walls.

Dry mount the hearth of the **cladding**, leaving a 1 cm gap for insulation. (Figure 3)

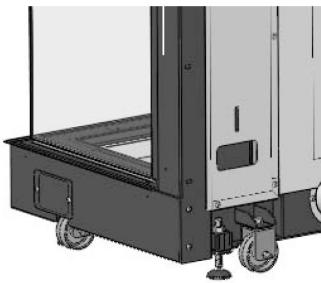


FIGURE 2 – WHEELS AND FEET

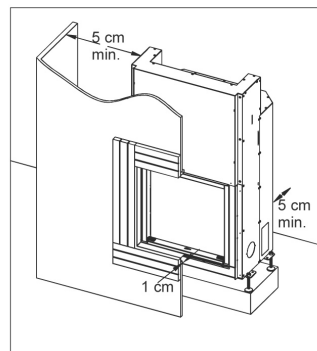
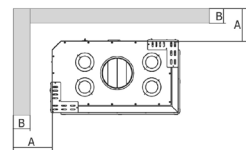


FIGURE 3 – DISTANCE OF THE UNIT FROM THE WALLS AND FROM THE CLADDING

FORMA WOOD 75 DX-SX 95 DX-SX T95 T50	Non-flammable walls	Flammable walls
	A = 50 mm B = ----- C = 40 mm	A = 100 mm B = 40 mm C = 80 mm



A = distance from the side and rear walls

B = insulating material

C = height from floor



If the closed fireplace is positioned on a floor or in proximity of flammable walls one recommends suitable insulation. The hot air outlet vents must be positioned at least 300 mm away from other materials. (e.g. curtains)

6-INSTALLATION AND ASSEMBLY

HEIGHT AND LEVEL ADJUSTMENT

The Forma Wood closed fireplace is equipped with adjustment feet which enable to adjust the level of the closed fireplace hearth by approximately 2/3 cm.

If one wishes to raise the closed fireplace by over 2/3 cm one must create a brickwork pedestal on which to place the product.

In any case do not remove the feet that are essential for levelling.

Removing the feet is considered a structural modification of the product and therefore it makes the warranty void.



Levelling the closed fireplace is an essential operation for the hearth door to slide properly.

In the event of a floor made of flammable material, the lower part of the closed fireplace (C) must be at least 5 cm away from the floor. Fig.4

CHECK THE DOOR SLIDING SEVERAL TIMES BEFORE CLOSING THE FIREPLACE WITH THE CLADDING.



If the closed fireplace is not positioned level, there is a risk that the door does not close properly and that the internal counterweights knock against the structure causing noise every time one lifts and lowers the door.

It is recommended to use the wheels (supplied) when one must move the closed fireplace; the feet are then sufficient for levelling.

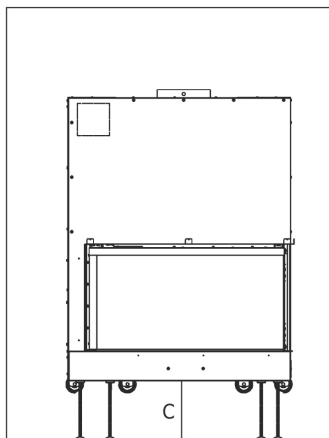


FIGURE 4 - SAFETY MEASURES

6-INSTALLATION AND ASSEMBLY

EXTERNAL AND INTERNAL AIR INLET COMBUSTION AIR INLET

The FORMA WOOD closed fireplace is predisposed with a rear hole, for the entry of air necessary for combustion. One can move the combustion air inlet under the product. The following is required to do so:

- Remove the rear flange (fig.5).
- Remove the cap in the part underneath the closed fireplace (fig.6).
- With the two screws, fix the flange under the closed fireplace (to then make connection with pipes)
- Position the cap removed (from under the closed fireplace) in the lower part.

Connect via $\varnothing 100$ flanges and a hose (fig. 5 o 6) to grilles outside or inside the installation room so that the path is separate from the natural or forced convection air.



NEVER CLOSE THE COMBUSTION AIR INLET HOLE.

FIGURE 5 - REAR COMBUSTION AIR INLET

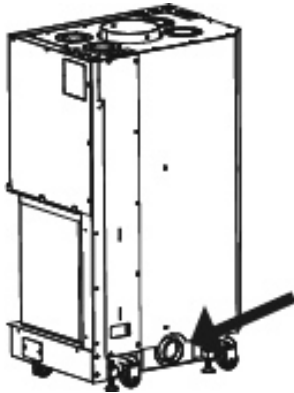
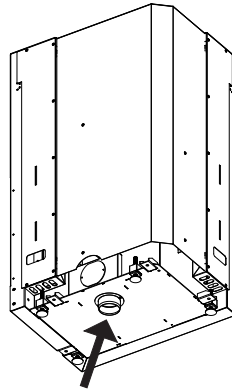


FIGURE 6 - COMBUSTION AIR INLET FROM BENEATH THE FORMA CLOSED FIREPLACE



NATURAL VENTILATION AIR INLET

If the closed fireplace is installed with natural ventilation, i.e. without an electric fan, you will need a 300 cm² external combustion air inlet (net value) at the back of the unit to allow for a constant flow of fresh air underneath the closed fireplace.

This requirement must be strictly followed, otherwise the lack of oxygen may affect both combustion and the heat output of the product.

FORCED VENTILATION AIR INLET

If the closed fireplace is installed with forced ventilation, that is by using a Comfort Air kit, the air inlets and ducting must be conducted as follows:

- to ensure correct oxygen renewal in the room, we recommend setting up a 150 cm² external air inlet so that clean, fresh air can be drawn in and another inlet in the room where the closed fireplace is placed (again a 150 cm² air inlet).
- This will ensure that the air inside the room where the equipment is installed is mixed properly and will guarantee better cooling for the closed fireplace's structure.
- If you cannot carry out this kind of connection, you will still need to set up the two air inlets, whether they are both from the inside or outside. Depending on the choice, you will have slightly higher or lower operating temperatures compared to average values, though they will not prevent the product from working properly.

6-INSTALLATION AND ASSEMBLY

Please bear in mind that:

- All external air inlets must have a closing damper that can be controlled from the outside, along with an insect screen.
- The air inlet section is a net value, so you need to consider the area of any other elements (netting, etc.)
- Periodically clean the filters or netting to ensure the air can pass through
- **Do not, for any reason, obstruct the air inlets if the closed fireplace or ventilation kit is running.**

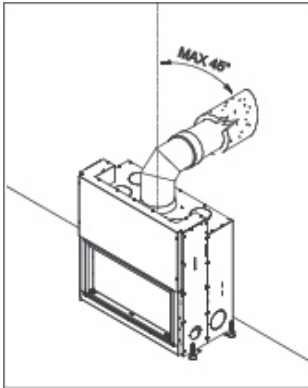


FIGURE 7 - CHIMNEY FLUE FITTING

FLUE CONNECTION

It is recommended to connect the closed fireplace to the flue via aluminised steel pipes and bends able to resist the high temperatures that are reached in that tract and smoke corrosion. These connections are available upon request in various sizes (see our price list) and simplify installation as they are assembled by fitting one inside the other. (fig.7)



Any increases in the section of the fitting must be performed directly over the hood of the fireplace and not along the chimney flue. Once the installation is complete, it is mandatory to insulate the smoke fitting with ceramic fibre blanket or material resistant to at least 600° C.

CLADDING AND COUNTER HOOD ASSEMBLY



READ THE "OPERATION TEST" CHAPTER BEFORE STARTING ANY FIREPLACE CLADDING OPERATION.

The closed fireplace and the cladding parts must be fastened together **WITHOUT COMING INTO CONTACT WITH THE STEEL STRUCTURE** in order to prevent heat from being transmitted to the marble and/or stone and to allow for normal thermal expansion. Pay attention to the wood finishes, such as beams or shelves.

It is recommended to set up the counter hood made of 15 to 20 mm thick fireproof plasterboard with a freestanding frame made of a galvanised profile to prevent bearing the weight on the cladding components (wooden beams or marble lintels), which do not have a freestanding structure **in order to intervene easily in case of anomalies and/or future maintenance.**

Dry mount the hearth of the **cladding, leaving a 1 cm gap** between the fireplace and the hearth for insulation. (fig.8)

6-INSTALLATION AND ASSEMBLY

FIREPLACE INSULATION

The closed fireplace must always be separated from the adjacent walls and ceiling.

If necessary use insulating materials to insulate the walls in contact with the unit, in case they risk being damaged or even catching fire (walls made of wood, plaster board, etc...). (figure 8)

WOODEN BEAM INSULATION

The wooden beam must be protected with adequate insulation from the hot parts in order to prevent the risk of fire or damage to the cladding (figure 9).

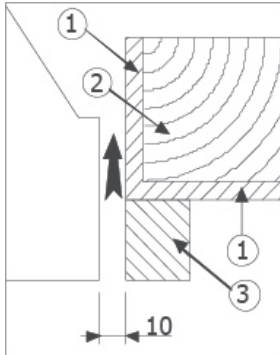


FIGURE 8 - BEAM INSULATION

1. INSULATION APPLIED OR TO BE APPLIED
2. BEAM MADE OF WOOD
3. MARBLE OR OTHER MATERIAL

HOOD VENTILATION OUTLETS

Both in the case of installation with natural ventilation and if using the Comfort Air kit for forced ventilation, it is mandatory to install the manufacturer's hood ventilation vents or vents that can guarantee the same kind of operation and the same air passage section.

The manufacturer cannot be held liable for any damage caused to the structure or the electrical components if this precaution is not complied with.

For proper room ventilation operation please note that:

- In the lower part of the cladding there must be a convective air inlet that must not be less than 400 cm²
- At the top you need to provide for a relief opening (in addition to the ducted vents) of at least 230 cm² to release the residual heat into the room. This residual heat builds up inside the cladding (this outlet is not required with the COMFORT AIR KIT, as the heat inside the cladding is drawn in indirectly by the fans themselves).

This allows to recover part of the structure heat that would otherwise be lost if left inside the cladding, whilst guaranteeing perfect product operation.

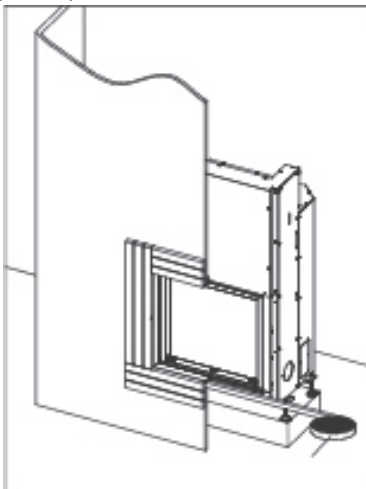
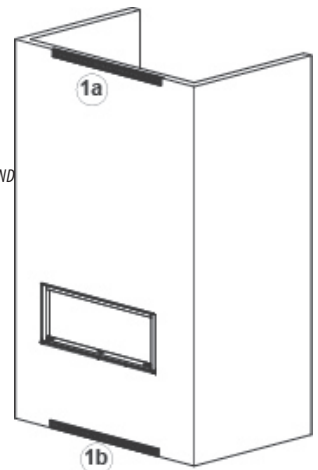


FIGURE 9 - INSULATION OF UNIT FROM WALLS AND CLADDING



7-OPERATION

For a better understanding of the amount, size and function of the ventilation outlets to be installed on the cladding, illustrated below is an installation example with the relative outlets.

1a) Grille for convection air release

1b) Grille for convection air input

Grilles 1a and 1b are essential for releasing the heat the collects in the hood and **it is mandatory** to fit them regardless of the type of installation or cladding one must fit.

START-UP PRECAUTIONS

Make sure you have read and fully understood the contents of this instruction manual.

Remove all components that could burn from the firebox and door (instructions and various adhesive labels).

Remove the stickers from the ceramic glass otherwise the high temperature could melt them and cause irreparable damage to the glass. The product can be positioned at an angle or against the wall.



***Avoid touching the product during the initial start-up, as the paint completes its drying process and hardens during this phase. It is good practice to guarantee effective ventilation in the room during the initial start-up, as the product will emit some smoke and smell of paint, which is absolutely normal!
If necessary, touch up the paint with the spray can of the specific colour.***

Do not stand close to the product and air the room. The smoke and smell of paint will disappear after about an hour of operation, however, remember they are not harmful in any case.



The product will be subject to expansion and contraction during the start-up and cooling phases, therefore light creaking noises may be heard.

This is absolutely normal as the structure is made of laminated steel and must not be considered a defect.

It is extremely important to make sure the product is not immediately overheated and the temperature increases gradually.

***This will prevent damaging the welds and the steel structure.
Do not expect heating efficiency immediately!***



OPERATION TEST

ATTENTION !!

BEFORE PERFORMING ANY CLADDING ASSEMBLY OPERATION, CARRY OUT A GENERAL TEST ON THE FIREPLACE FOLLOWING THE POINTS BELOW:



- Lift and lower the hearth door 7-8 times to check that it slides smoothly and that the counterweights do not cause any noise against the structure.
- Check that all wiring and the control unit (if one fits the COMFORT AIR VF kit) are distant from the hot body of the closed fireplace.
- Test at all speeds and ventilation kit modalities (if one fits the COMFORT AIR VF kit).
- Light the fire with moderation, to check that the smoke fitting has no smoke/soot leaks.

THE MANUFACTURER DECLINES ALL LIABILITY FOR DAMAGE TO THE CLADDING IF THE PREVENTIVE CHECKS ABOVE ARE NOT CARRIED OUT, RESULTING IN THE DEMOLITION OF THE CLADDING ITSELF TO PERFORM REPAIRS OR ADJUSTMENTS.



7-OPERATION

STAGES FOR THE FIRST START-UP TEST

- Make sure you have read and fully understood the contents of this instructions manual.
- Remove all components that could burn from the closed fireplace firebox and door (instructions and various adhesive labels).
- Remove the stickers from the ceramic glass otherwise the high temperature could melt them and cause irreparable damage to the glass. In this case the manufacturer will not guarantee the glass.
- Open the front combustion air damper completely using the hook supplied.
- Position small sized and thoroughly dry wood (moisture 15/20%). Light the fire on moderate power without heating the structure excessively. Any smells from processing and/or evaporation residues will be emitted the first few times the fireplace is lit and will disappear after it has been used a few times on full power.
- Do not close the sliding door immediately, but leave it open by about 10 cm so that the wood can burn better and so that any internal moisture can dry out. When the flame is stable close the door completely.

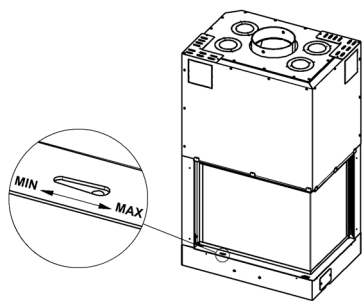


FIGURE 10 - MAXIMUM ADJUSTMENT OF COMBUSTION AIR DAMPER

FUEL

FUEL: Wood

In order to achieve maximum efficiency from your product, it is of utmost importance to use wood with adequate characteristics.

One can use wood for heating such as **oak-beech-ash-robinia-durmast** wood or uncoated pressed wood logs. **The latter have a high calorific value and must be used with caution to avoid overheating that could damage the product.** Fuels such as poplar-pine-linden-chestnut have a low calorific value as the wood is soft. The humidity content is fundamental for all types of wood.

Wood drying time (e.g. beech)	Moisture %	Calorific value Kcal/h
Freshly cut	50	/
3 Months	40	2410
6 Months	35	2700
9 Months	30	2900
12 Months	25	3150
15 Months	20	3400
18 Months	15	3710
21 Months	10	3980

7-OPERATION

A high percentage of moisture causes condensation in the smoke duct, thereby causing an alteration to the draught and generating smoke and considerable soot deposits in the firebox, on the glass of the door and on the product, with the subsequent risk of this catching fire. It also leads to a much lower overall efficiency.

The use of humid or treated wood releases a greater amount of smoke than usual, which could dirty the glass more quickly. Poor chimney performance can also compromise the cleanliness of the glass, as the smoke remains in the combustion chamber longer than usual.



Do not use treated fuels (painted or lacquered wood) or non-compliant fuels (plastic or derivatives), which could release toxic substances or pollutants.

Do not burn waste.

The gases produced by combustion of unsuitable fuel could damage the product and pollute and compromise your health.

FIRST IGNITION

A NOTE REGARDING PAINT EXHALATION

It is recommended to air the room before the first start-up to evacuate any smells and/or fumes emitted by the paint during the drying and hardening phase due to the heat.



Do not stand close to the stove and as mentioned, air the room. The smoke and smell of paint will disappear after about an hour of operation, however, remember they are not harmful in any case.

It is recommended to first start-up the product using fine and seasoned wood.

The combustion air inlet must be completely open. When combustion has started up, normal sized wood can be introduced.

Each time the wood is loaded, the door must be opened slowly to prevent smoke blow back in the room.

Proceed as follows:

- place a small ball of scrunched up paper into the product.
- Cover the paper with a few twigs and a few pieces of wood.
- Turn the lever completely to the right (MAX).
- Light the paper and if necessary keep the door ajar for a few minutes until the combustion chamber and the flue begin to warm up.
- The door can be closed once the twigs start to burn.

As the fire gradually burns, add wood. Never overload the product with wood (see the technical data in the table).

As soon as the flames have died down and a bed of embers has formed, load the product normally.

Small loads are preferable to large loads of wood for combustion.

It is recommended to adopt this fuel loading method also in subsequent product use.



To achieve the nominal output and optimal combustion, load the amount of wood and comply with the loading interval indicated in the technical data table (Chapter 3).

7-OPERATION

FUEL LOADING

For normal fuel loading simply open the hearth door acting with the supplied cold handle on one of the outlets to the right or left of the closed fireplace, as shown in figure 11-12-13. Simply insert the cold handle into the hole and lift the door upwards. To close the door perform the same procedure in reverse order.

During use the metal structure and glass reach high temperatures, so use suitable thermal protection (for example gloves). During normal use always keep the hearth door completely lowered/closed, as intermediate positions cause anomalous combustion (forge effect); a rapid consumption of wood may also cause release of smoke due to the high temperatures of the fireplace. Open the door solely for fuel loading operations and only for brief periods.

The closed fireplace has maximum efficiency and works best with the door closed, as the combustion chamber tightness and the calibrated oxygen input enable to raise performance levels.



Nominal combustion lasts 50 minutes. Therefore to achieve the nominal hourly loading envisaged in the table in chapter 3, load the amount expressed in brackets in the same table every 50 minutes.

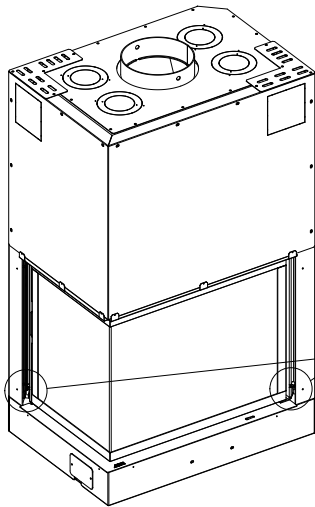


FIGURE 11 - HEARTH DOOR OPENING / CLOSING (FORMA DX-SX)

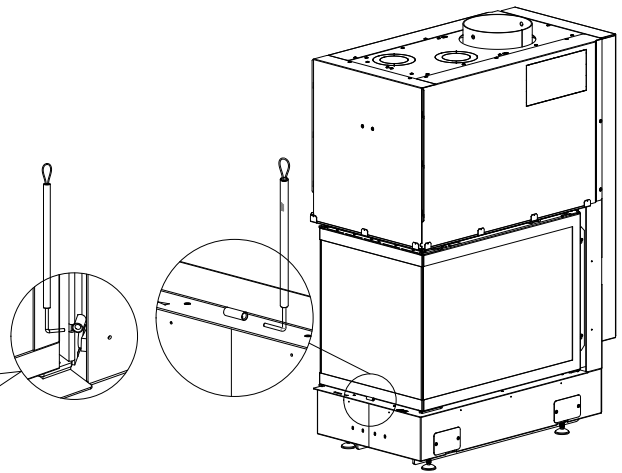


FIGURE 12 - HEARTH DOOR OPENING / CLOSING (FORMA T50)

7-OPERATION

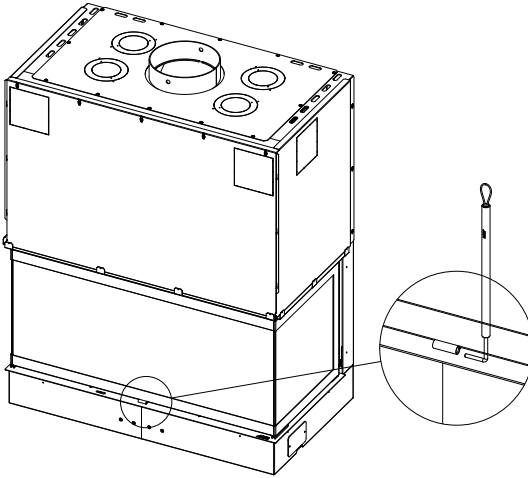


FIGURE 13 - HEARTH DOOR OPENING / CLOSING (FORMA T95)



The closed fireplace package contains a handle that can be installed on the door (as per instructions supplied with the handle).

COMBUSTION CONTROL PRIMARY AIR

Primary air enters directly via the openings present between the casing and structure of the closed fireplace. This air enables combustion. By moving the supplied lever to the right as shown in the figure, one has full opening with faster combustion while if it is moved to the left one has closure with slower combustion.

The lever turned towards MAX is designed to bring a large quantity of primary air beneath the fireplace hearth, to allow rapid and effective ignition of the fire.

Air for cleaning the glass enters directly from the door with a fixed passage section, both in MAX and MIN combustion modes.

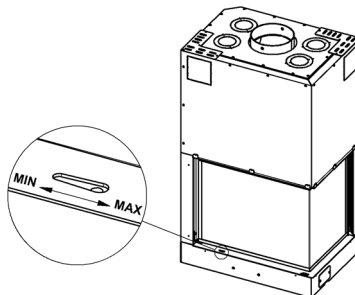


FIGURE 14 - ADJUSTMENT OF PRIMARY/SECONDARY AIR

7-OPERATION

SECONDARY AIR

Adjustment is carried out with the same lever for primary air. Secondary air is released proportionally to primary air in a pre-calculated balance that the user can never change incurring in wrong adjustments. One will thus not have combustion excesses. Secondary air allows the combustion process to be completed and enhances efficiency. In the left position (Min) one decreases the amount of air in the combustion chamber where i.e. only a minimum amount of primary and secondary air is present.

This position is used to prolong combustion (for instance, at night, or when you are not at home) so that the stove is set to minimum for auto-combustion, to save on fuel and keep the flame burning.



The use of humid or treated wood releases a greater amount of smoke than usual, which could dirty the glass more quickly. The poor performance of the flue pipe can also compromise the cleanliness of the glass, considering that the smoke remains in the combustion chamber longer than usual.

DOOR OPENING SWITCH

On closed fireplaces there is a switch installed by MCZ and in the case of forced ventilation, it turns off the fans when the door of the closed fireplace is open (see the relative manual for the basic-slim comfort air kit).

QUICK RESPONSE

If for any reason one needs to extinguish the fire in the stove suddenly and quickly or put out a fire that has started in the flue pipe, act as follows:

- Time permitting, remove the embers and ashes using a metal container.
- Request immediate help from the relative organisations.

8-MAINTENANCE AND CLEANING



ATTENTION!

All cleaning operations of all parts must be performed when the closed fireplace is completely cold.

CLEANING PERFORMED BY THE USER

CLEANING THE GLASS

The glass can be cleaned with specific products (see our price list), with a cloth soaked in a water and ammonia solution or a little white ash and a sheet of newspaper.

To open the door (figure 15-16) to clean the glass, **LOWER THE GLASS COMPLETELY** and open the door as shown in the figure, using the cold handle supplied. One does not need to block the door opening as, in the "Forma right/left" version, once the handle is lowered, this blocks the sliding system, while in the "T50/T95" version, when one pulls the handle towards point B, this prevents the sliding opening. To close repeat the stages described above in the reverse order.

DURING OPENING BUT ESPECIALLY CLOSING ACCOMPANY THE DOOR WITHOUT FORCING IT.

FOR EXAMPLE FORCING THE DOOR DOWNWARDS WHEN CLOSING COULD MAKE THE GLASS KNOCK AGAINST THE MANTEL AT THE BOTTOM OF THE FIREPLACE, BREAKING IT.



ATTENTION!

Do not spray the product onto the painted parts or onto the door gaskets (ceramic fibre cord)

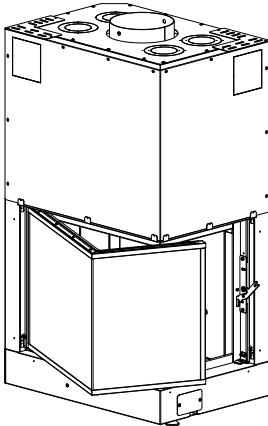


FIGURE 15 - DOOR OPENING (FORMA DX-SX)

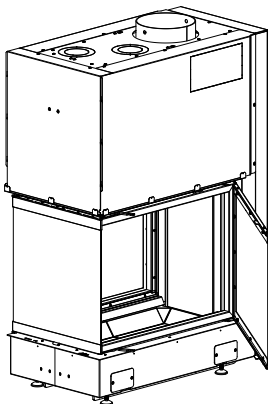
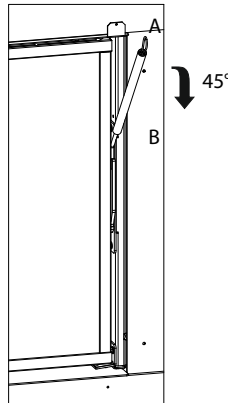
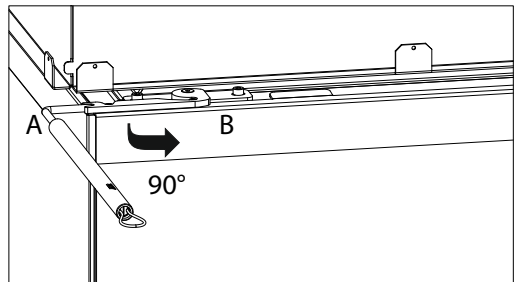


FIGURE 16 - DOOR OPENING (FORMA T50/T95)



DETAIL OF HANDLE FOR DOOR OPENING (ABOVE FORMA DX/
SX - BELOW FORMA T95/T50)

A - CLOSED POSITION
B - OPEN POSITION



8-MAINTENANCE AND CLEANING

CLEANING THE ASH

One recommends adequate cleaning of the hearth for proper combustion. To remove the ash from the hearth use a metal scoop and brush and store the ash in non-flammable containers for transport.

Hot ashes must not be stored outside unsupervised or thrown into the rubbish bin. Allow it to cool in the open air in a metal container.

CLEANING THE REFRACTORY PARTS (ALUTEC®)

They do not require any cleaning as the characteristic of this material (ALUTEC®) is that it does not absorb soot but instead it repels it when the fireplace is hot. After the start-up stage in which the fireplace tends to tarnish, the refractory parts will turn white again, starting from the base of the flame, when the combustion chamber reaches working temperature (~ 400° C).

If this phenomena does not take place it may be caused by:

- Damp or resinous wood that does not emit sufficient heat or that dirties the combustion chamber
- Chimney with poor performance and therefore smoke stays in the combustion chamber for too long, dirtying the firebox
- Chimney with low performance that does not allow the closed fireplace to reach high efficiency and therefore adequate temperatures for the refractory parts.



***Never clean the refractory parts with a damp cloth or other as it could get stained.
If required use a dry paintbrush to remove thick accumulations of soot.***



Should the Alutec not whiten, it must not be considered as a defect in light of the warnings and indications reported above.

CLEANING PERFORMED BY A QUALIFIED TECHNICIAN

CLEANING THE CHIMNEY

We recommend the mechanical cleaning of the flue pipe at least once a year; excess build-up of unburned waste could cause problems with the smoke outlet pipe and start a fire in the flue pipe itself. To clean the chimney flue by accessing from the appliance, remove the smoke deflector: to remove it properly lift it from the front part and make it simultaneously come forwards to free it from the resting supports at the back.



MCZ GROUP S.p.A.

Via La Croce n°8

33074 Vigonovo di Fontanafredda (PN) – ITALY

Telephone: 0434/599599 r.a.

Fax: 0434/599598

Internet: www.mcz.it

e-mail: mcz@mcz.it