

# HVA/HVM

USER MANUAL



UM\_EN  
Part No.: 1730015\_02



CONTENT ..... 2

GENERAL..... 3

Introduction ..... 3

Warnings..... 3

Precautions..... 3

Intended use..... 3

Facts & weight ..... 4

OVERVIEW OF COMPONENTS..... 5

INSTALLATION AND START-UP ..... 6

Positioning..... 6

Start-up procedure..... 6

Adjusting water temperature..... 7

Dispensing hot water..... 7

CLEANING AND CARE..... 8

ERROR MESSAGES ..... 9

PROGRAMMING ..... 10

Set machine for manual water filling..... 10

DIMENSION SKETCH..... 11

HVA/HVM..... 11

Some important information may appear in textboxes seen below

 <b>IMPORTANT!</b> INFO.	 <b>CAUTION!</b> INFO.	More INFO.	Note INFO.
---	--	------------	------------

## Introduction

Thank you for choosing a HVA/HVM hot water machine.  
We hope you enjoy it !

- Read the user guide before using the machine.
- This guide contains important instructions for proper and safe use of the vending machine.
- Always keep this guide close at hand for future reference.

## Warnings

- Never immerse the machine, plug or mains cable in water because there is a danger of electric shock.
- The appliance is not intended for use by persons (including children) with reduced physical, sensory or mental capabilities, or lack of experience and knowledge, unless they have been given supervision or instruction concerning the use of the appliance by a person responsible for their safety.
- Children should be supervised to ensure they do not play with the appliance.
- Do not use the machine if the mains cable, plug is damaged or the machine has fallen down.
- If the mains cable is damaged it must be replaced by the manufacturer, service agent or similarly qualified persons in order to avoid a hazard.
- Only plug the machine into a properly installed earthed safety socket whose line voltage matches the technical data for the machine.

## Precautions

- Do not use the machine outdoors so it can be exposed to weather (rain, snow, frost). It will cause material damage to the machine.
- Do not try to open the machine or repair it in any way. To avoid danger only have the machine repaired in a technical workshop, Service Centre or by a qualified person.
- Remove the mains cable from the socket when the machine is not in use for longer periods. To do this, pull the plug not the cable.
- This appliance must be placed in a horizontal position which is resistant to any water that may leak.
- Place the machine out of the reach of children.
- Position the mains cable so that people cannot trip over it. Keep it away from sharp edges and heat sources.
- The new hose-sets supplied with this appliance are to be used, old hose-sets must not be re-used.
- This appliance is not suitable for installation in an area where a pressure washer may be used.
- This appliance must not be cleaned with a pressure washer.

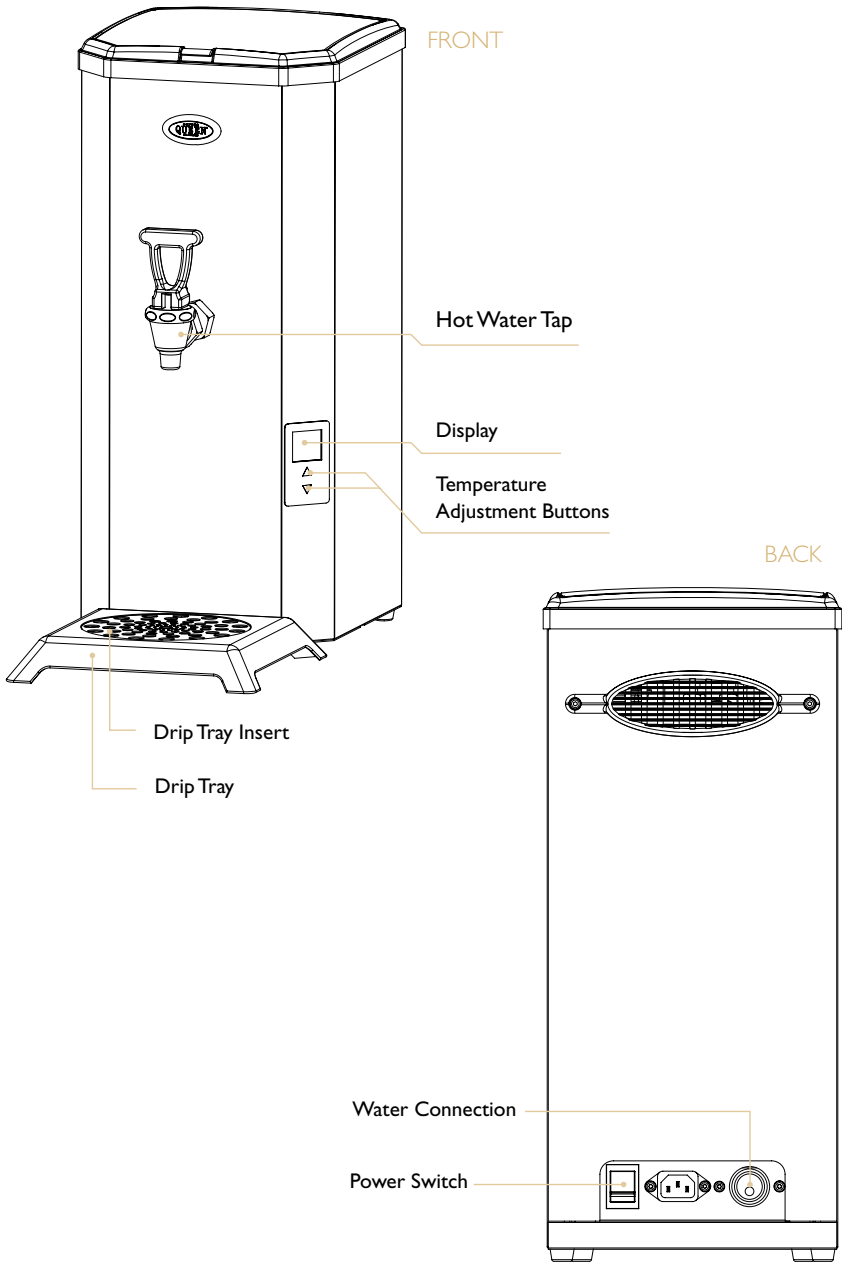
## Intended use

- This appliance is intended to be used in household and similar applications such as:
  - Staff kitchen areas in shops.
  - Offices and other commercial working environments.
  - On agricultural estates.
  - By clients in hotels, motels and other residential type environments.
  - Bed and breakfast type environments.
- For the optimal performance of the machine these parameters shall not be exceeded:
  - Maximum permissible inlet water pressure : 800KPa (8Bar)
  - Minimum permissible inlet water pressure: 200KPa (2Bar)
  - Maximum working temperature: 40 °C
  - Minimum working temperature: 10 °C

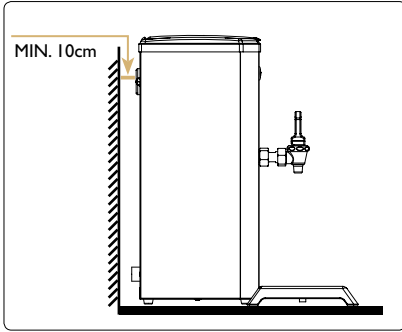
## Facts &amp; weight

FACTS	HVA/HVM 1 phase	HVA/HVM 3 phase
<b>Height, Width, Depth</b>	500, 225, 410mm	500, 225, 410mm
<b>Tank volume</b>	7.5 Litres	7.5 Litres
<b>Power supply</b>	220-230VAC 1N~ 2200W 50/60Hz	380VAC 3N~6600W 50/60Hz
<b>Cold water connection</b>	½" External thread	½" External thread
<b>Capacity</b>	18 litres/hour	67 litres/hour
<b>Water purification filter</b>	Option	Option
<b>Filling and heating time</b>	~16.5min	~6min

MODEL/NAME	WEIGHT
<b>HVA/HVM 1 phase</b>	9 kg
<b>HVA/HVM 3 phase</b>	10 kg



## Positioning

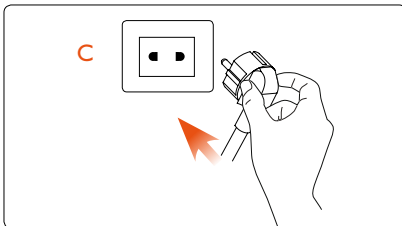
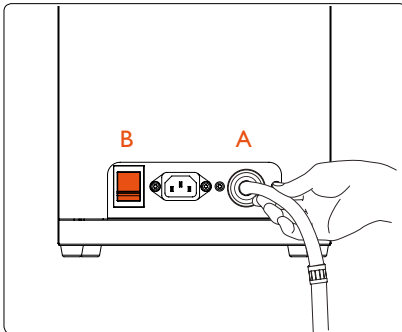


- Place the machine on a flat and waterproof surface that will support the weight of the machine.

**Note**

Make sure air is able to circulate behind the machine (minimum 10cm).

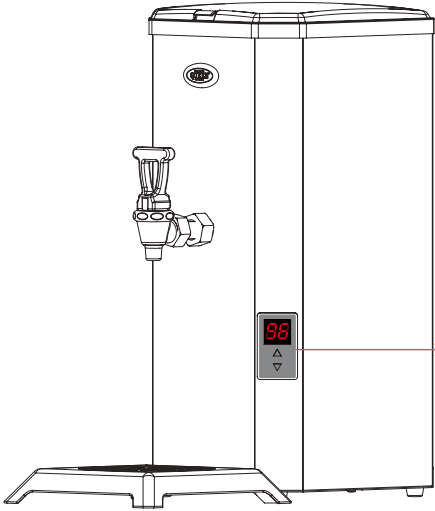
## Start-up procedure



- Connect the supplied water hose to the cold water connection using a 1/2" R-connection(A). When pushing the machine into position make sure there is no interference to the hose to ensure proper water flow.
- Water supply to the machine is the customer's responsibility according to instruction and advice from the supplier.
- In areas with high level lime problem, a descaling filter should be mounted.
- Insert the power plug in a separately-earthed wall socket. (See fig.C)
- Turn on the machine using the power switch(See fig.B) that is located at the back of the machine.
- The machine will now start to fill up with water and then heat the water.
- The display will flash while the machine is filling with water (See fig.D).
- While the machine is heating the current temperature will flash in the display.
- When the water has reached the preset temperature of 90°C the display will show a steady light. (See fig.E)
- The machine is now ready for use.

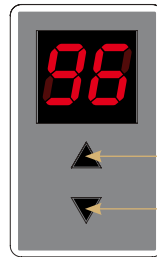


## Adjusting water temperature



Adjust water temperature by pressing the buttons on membrane switch.

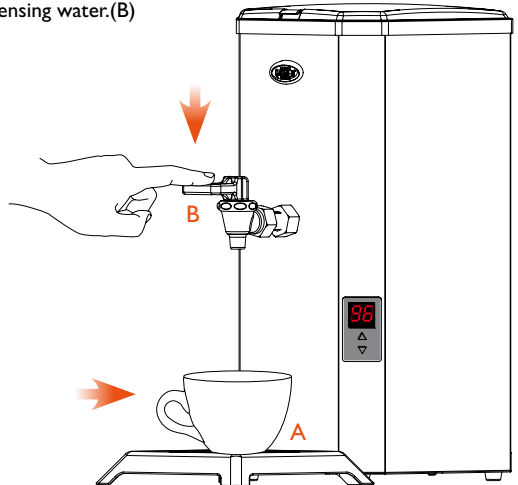
- Max temperature 96°C
- Min temperature 70°C



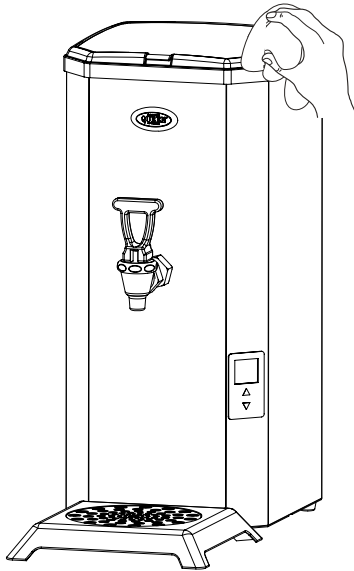
- Increase the temperature
- Reduce the temperature

## Dispensing hot water

- Place a glass or decanter under the hot water tap.(A)
- Pull down the tap handle to start dispensing water.(B)
- Release tap handle to stop dispensing.



## Exterior cleaning when necessary





- To clean the exterior of the machine, use a soft cloth and liquid cleaning agent that is non-abrasive.





## LEVEL CONTROL

Remove the power cord from the wall socket during any installation work.

SHOWN ON THE DISPLAY	POSSIBLE FAULT	POSSIBLE SOLUTION
	<ul style="list-style-type: none"> <li>- The high water level sensor is triggered before the low level sensor.</li> </ul>	<ul style="list-style-type: none"> <li>- Clean the level sensor.</li> <li>- Replace.</li> <li>- Cables connected is incorrectly.</li> </ul>
	<ul style="list-style-type: none"> <li>- The machine fills slowly.</li> <li>- Poor water pressure.</li> <li>- Water connection tap is not open</li> </ul>	<ul style="list-style-type: none"> <li>- Check water connection.</li> <li>- Restart machine.</li> </ul>

## TEMPERATURE CONTROL

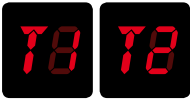
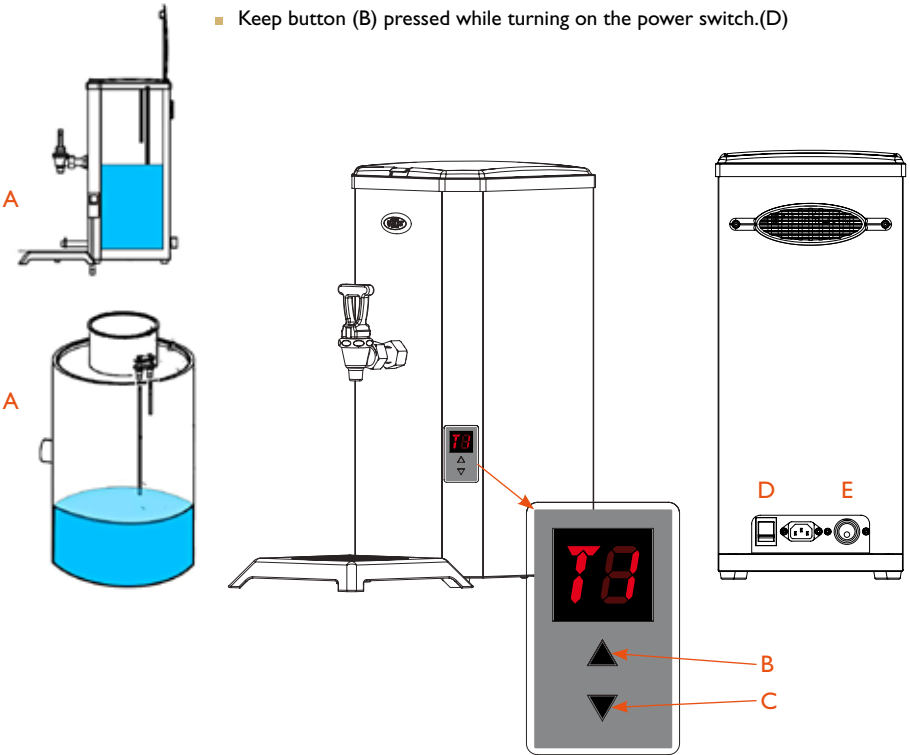
SHOWN ON THE DISPLAY	POSSIBLE FAULT	POSSIBLE SOLUTION
	<ul style="list-style-type: none"> <li>- Temperature sensor out of range.</li> <li>- Temperature sensor is broken.</li> <li>- Cable loose.</li> </ul>	<ul style="list-style-type: none"> <li>- 5°C - 105°C.</li> <li>- Replace temperature sensor.</li> <li>- Check cables.</li> </ul>
	<ul style="list-style-type: none"> <li>- Heating time too long.</li> <li>- Solid state broken.</li> <li>- Element broken.</li> <li>- Overheating guard tripped or broken.</li> </ul>	<ul style="list-style-type: none"> <li>- Restart the machine.</li> <li>- Replace element.</li> <li>- Replace solid state.</li> <li>- Check overheating protection.</li> </ul>

**Note**

The installation work and all repairs shall be done by a qualified technician.

Set machine for manual water filling

- Use a decanter to fill up the water tank to the long sensor pin.(A)
- Keep button (B) pressed while turning on the power switch.(D)

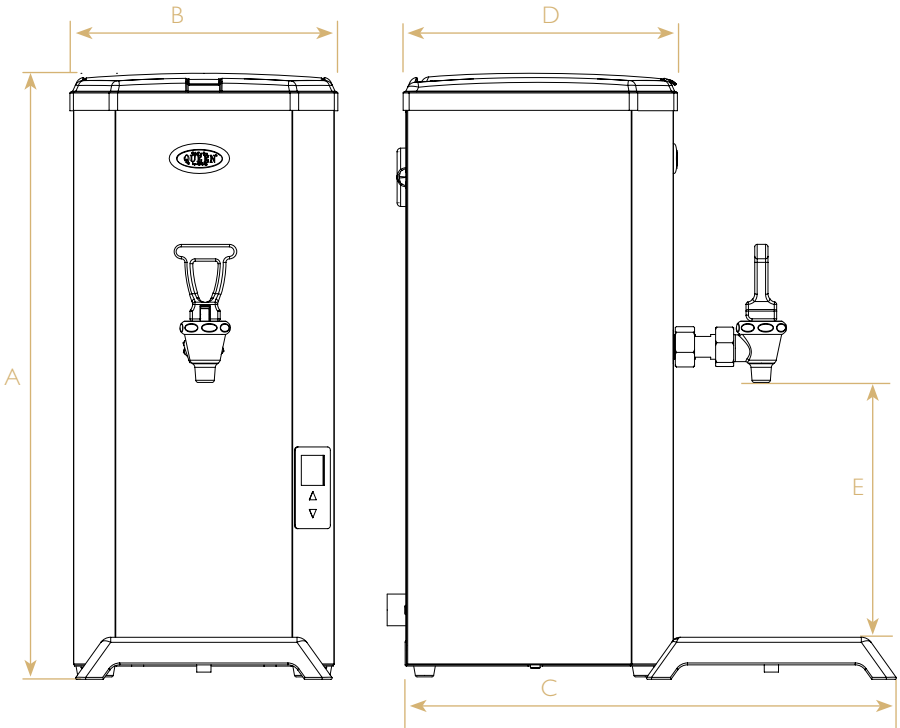


- The display will show T1, change the type of machine with buttons (B) or (C).  
 T1 = HVA automatic  
 T2 = HVM manual
- Confirm the choice by holding down the buttons (B) and (C) at the same time for approximately 5 seconds.

Note

Install the cover plug at the inlet valve (E) to avoid possible leakage.

HVA/HVM



Model	A	B	C	D	E
HVA/HVM 1 phase	500mm	225mm	410mm	240mm	210mm
HVA/HVM 3 phase	500mm	225mm	410mm	240mm	210mm

For the warranty to be valid the conditions for maintenance must have been followed according to our instructions, proper precaution has been made and warranty claim been issued without delay.

The affected equipment may not be used during awaiting service if there is any risk that the damage or defect would worsen.

The warranty will not cover consumption supplies such as glassware, normal maintenance such as cleaning of filters, contaminations in water, lime, incorrect voltages, pressure or adjustment of water amounts.

The warranty will not cover damages of defects caused by incorrect handling and operation of the appliance.

## **FOR SERVICE**

**Please contact your dealer**

**Your Dealer**

-----  
-----  
-----

