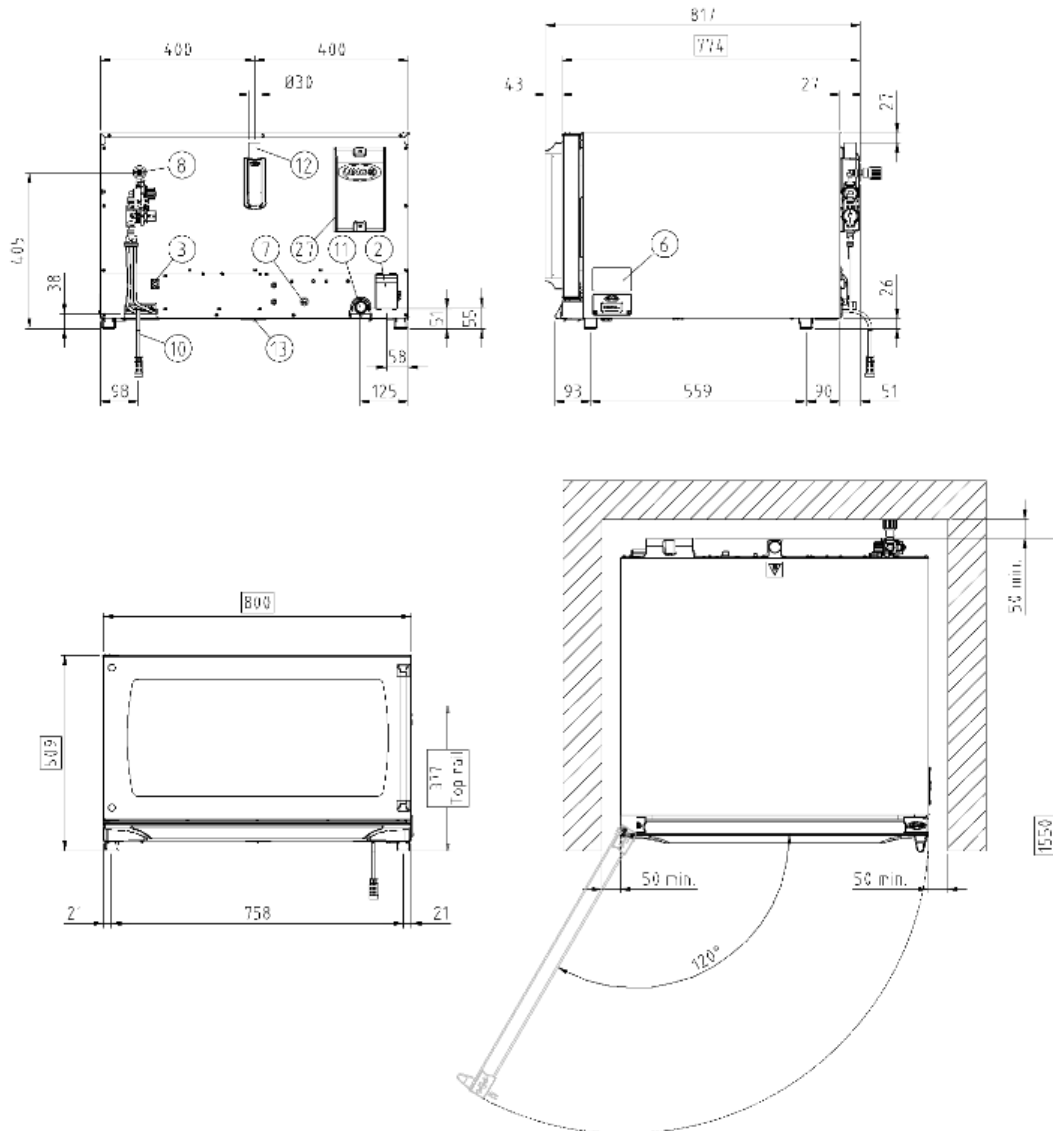


XFT200

ЭЛЕКТРИЧЕСКИЙ



Вместимость	4 600x400
Расстояние	75 mm
Частота	50/60 Hz
Напряжение	230 V~ IN / 400 V ~ 3N
Мощность	6,5 Kw
Размеры	800x774x509
Вес	50 kg



■ :Standard □ :Optional - :Not available

BAKING MODES

Convection baking 30 °C - 260 °C ■

Mixed humidity and convection baking 90 °C - 260 °C ■

AIR DISTRIBUTION IN THE BAKING CHAMBER

AIR.Plus technology: 2 air speeds, programmable by the user ■

AIR.Plus technology: fans with reversing gear ■

CLIMA MANAGEMENT IN THE BAKING CHAMBER

DRY.Plus technology: quick extraction of the humidity from the baking chamber ■

STEAM.Plus technology: humidity injection that can be set from the control panel at 20% intervals ■

PANS

Aluminium flat pans (for 460x330 models) ■

AUXILIARY FUNCTIONS

99 Baking program memory, each one made up of pre-heating + 3 baking steps ■

Protek.SAFE™ technology: maximum thermal efficiency and working safety (cool door glass and external surfaces) ■

Visualisation of the residual baking time ■

Continuous baking mode «INF» ■

Visualisation of the set and actual temperature values in the oven chamber ■

Temperature unit that can be set in either °C or °F ■

AUTOMATIC CLEANING

Rotor.KLEAN™ automatic washing system ■

DOOR OPENING

Flag opening door from right to left ■

Automatic door opening at the end of the baking process ■

TECHNICAL DETAILS

Rounded stainless steel chamber for improved hygiene and ease of cleaning ■

Oven chamber lighting with halogen lamp ■

L shaped pan support plates ■

Light weight - heavy duty structure made from innovative materials ■

Proximity door contact switch ■

Autodiagnosis system for problems or breakdown ■

Safety temperature switch ■