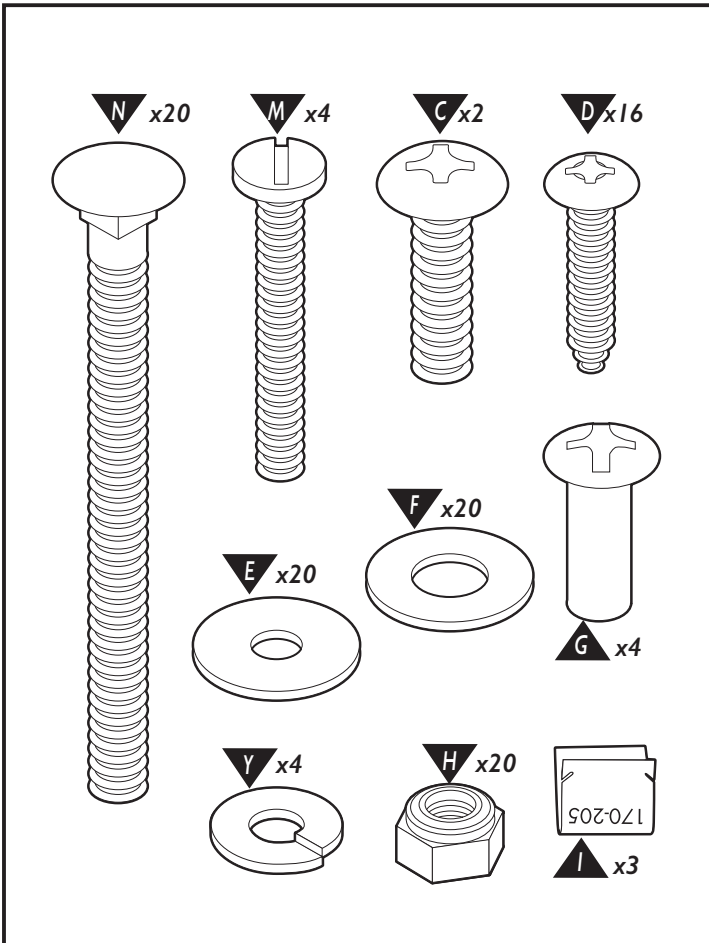
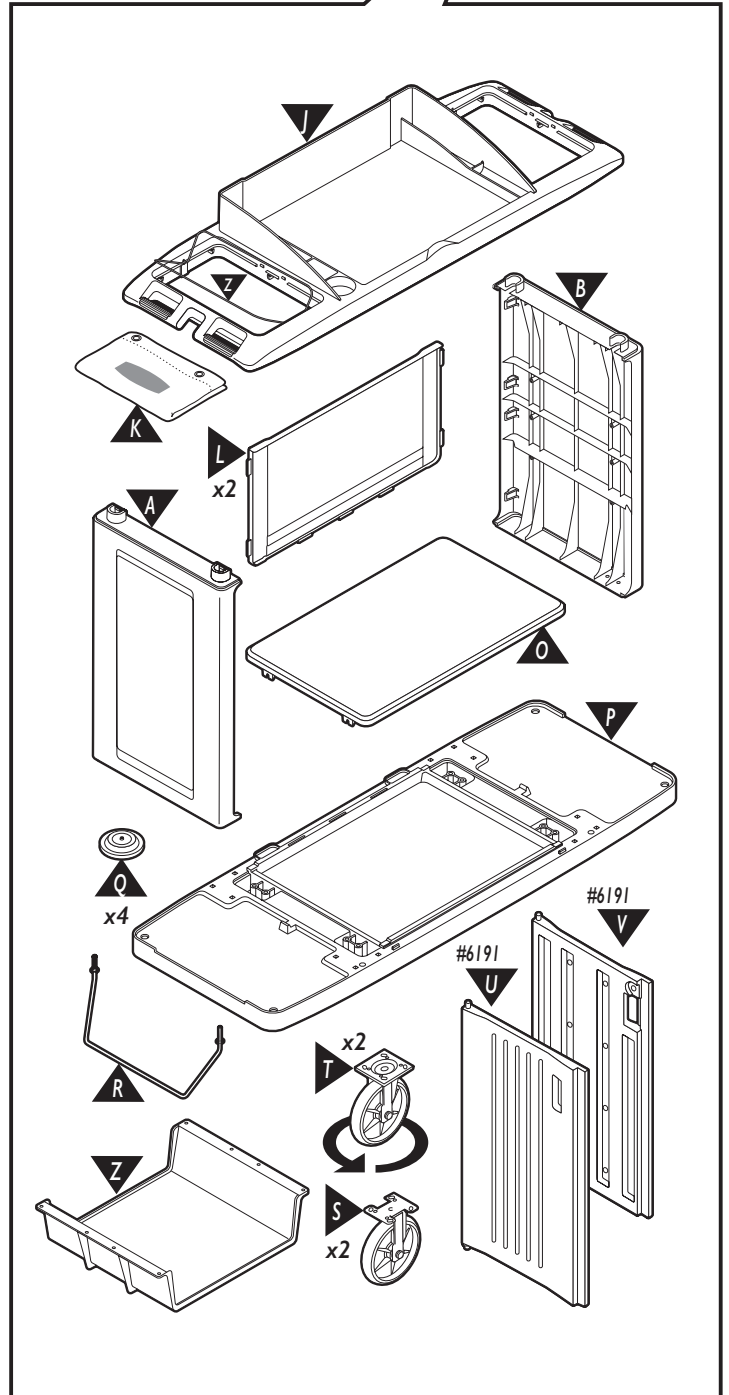
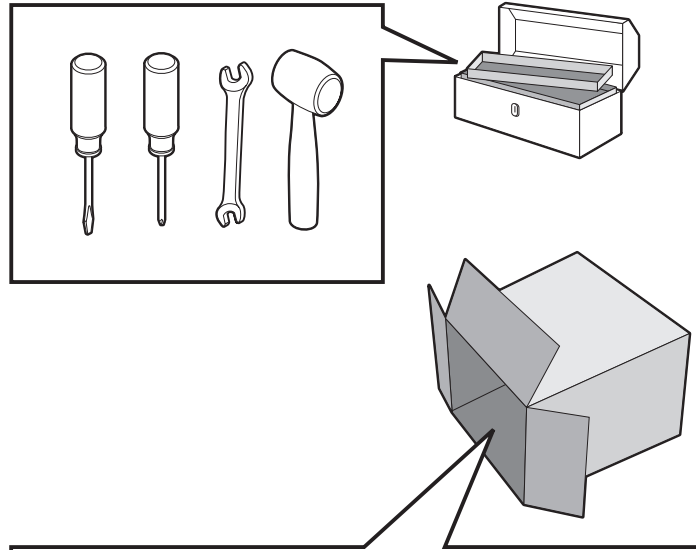
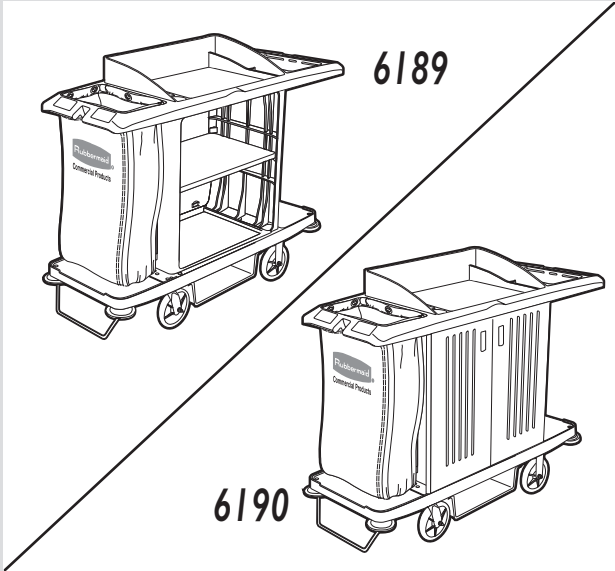
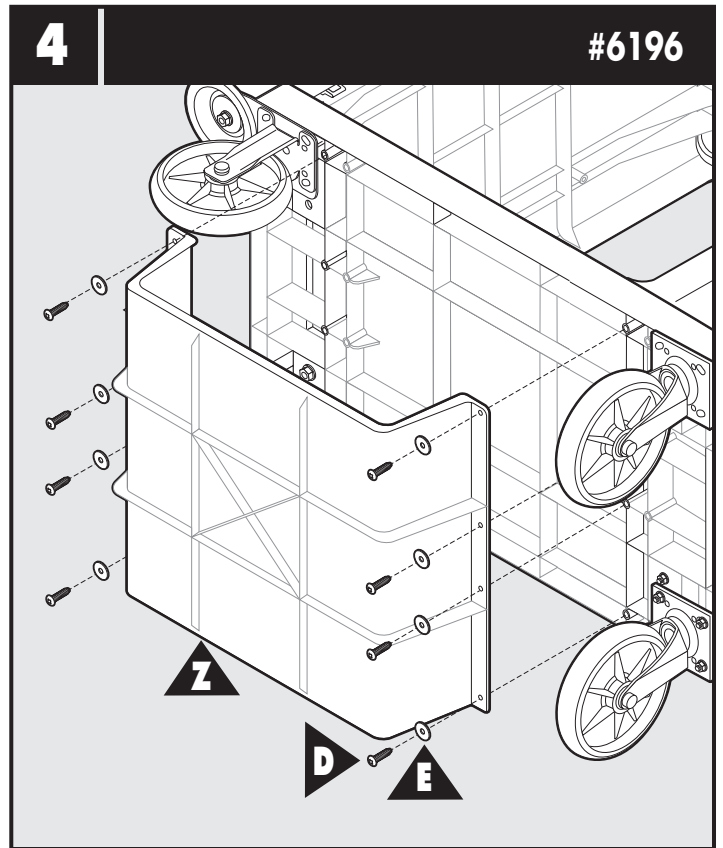
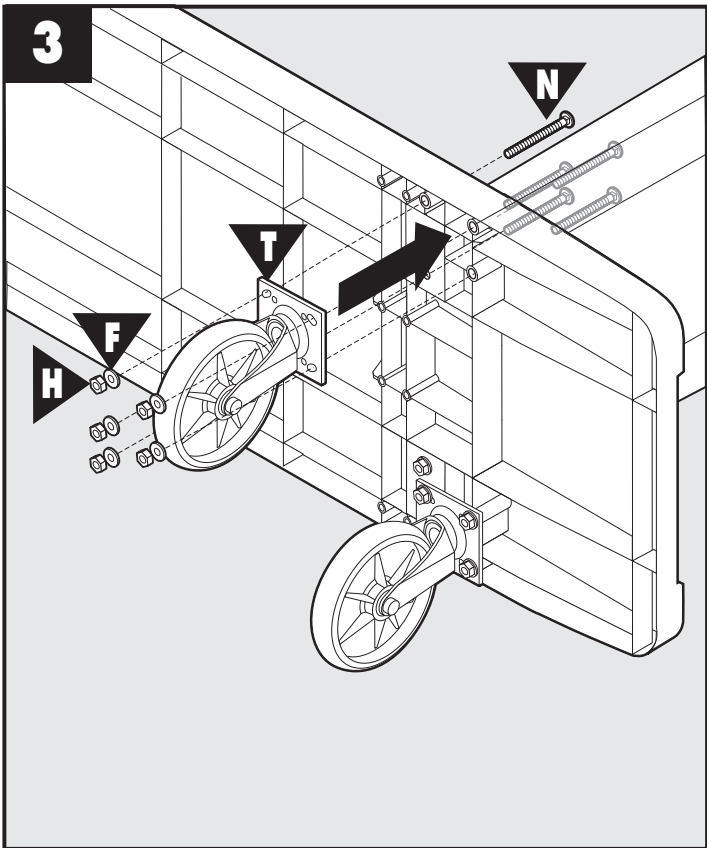
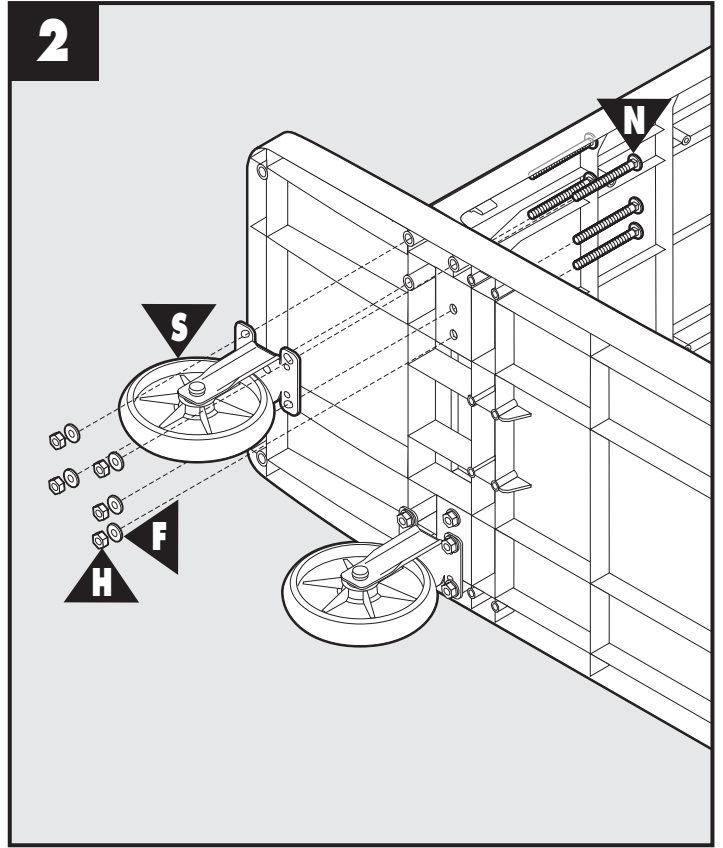
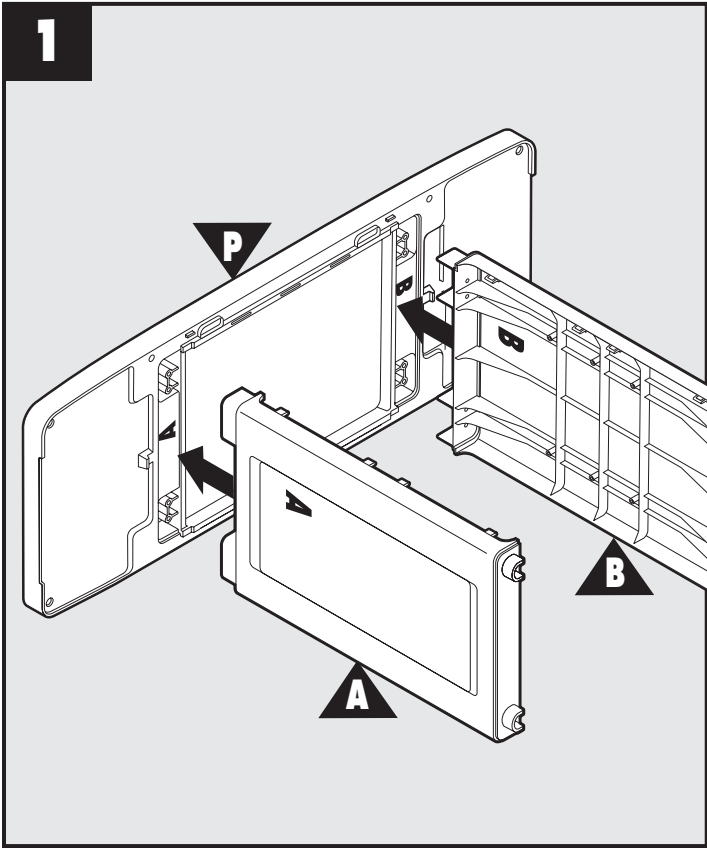
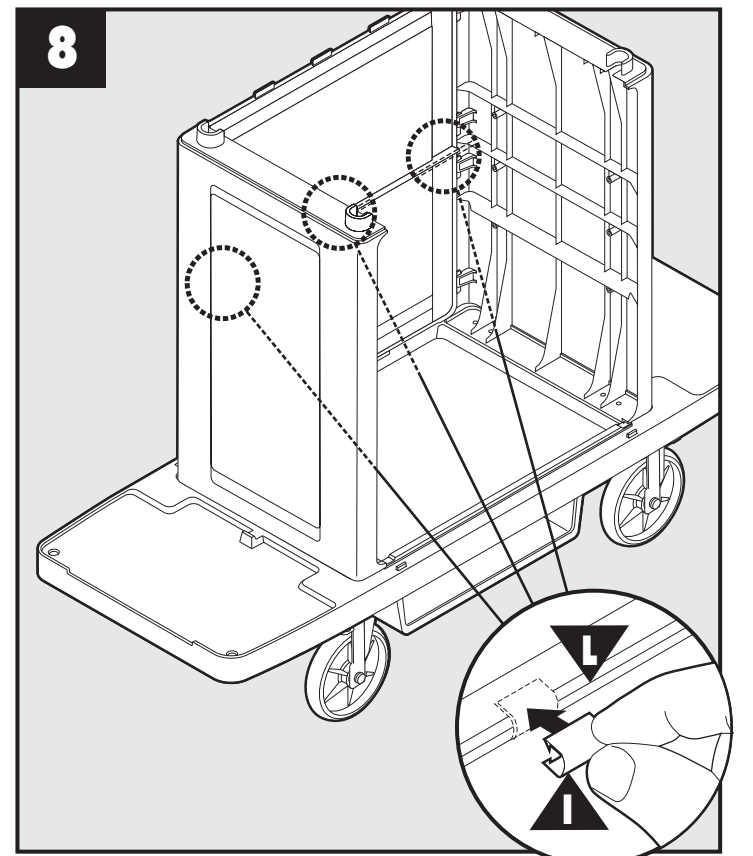
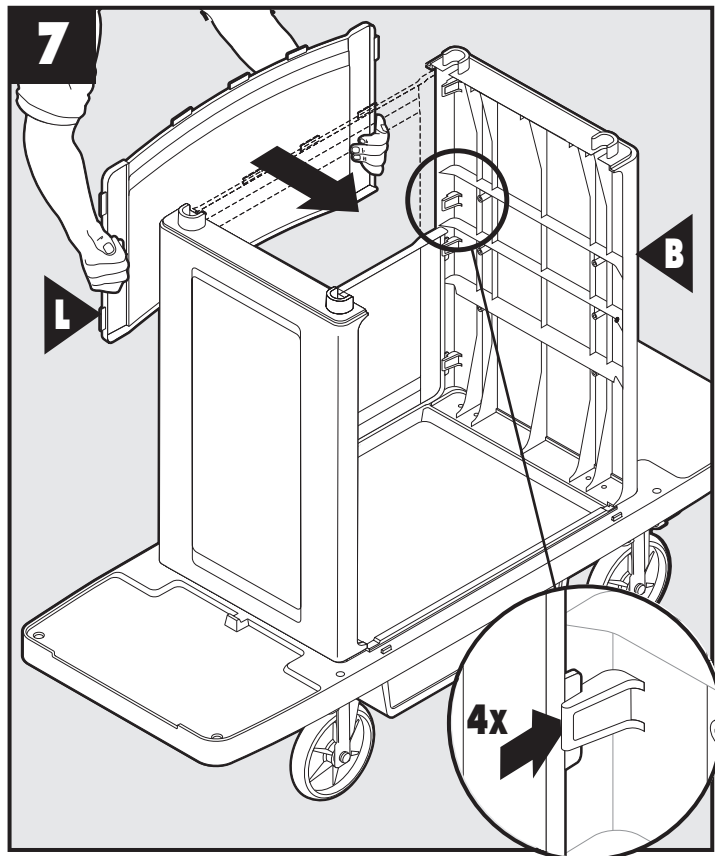
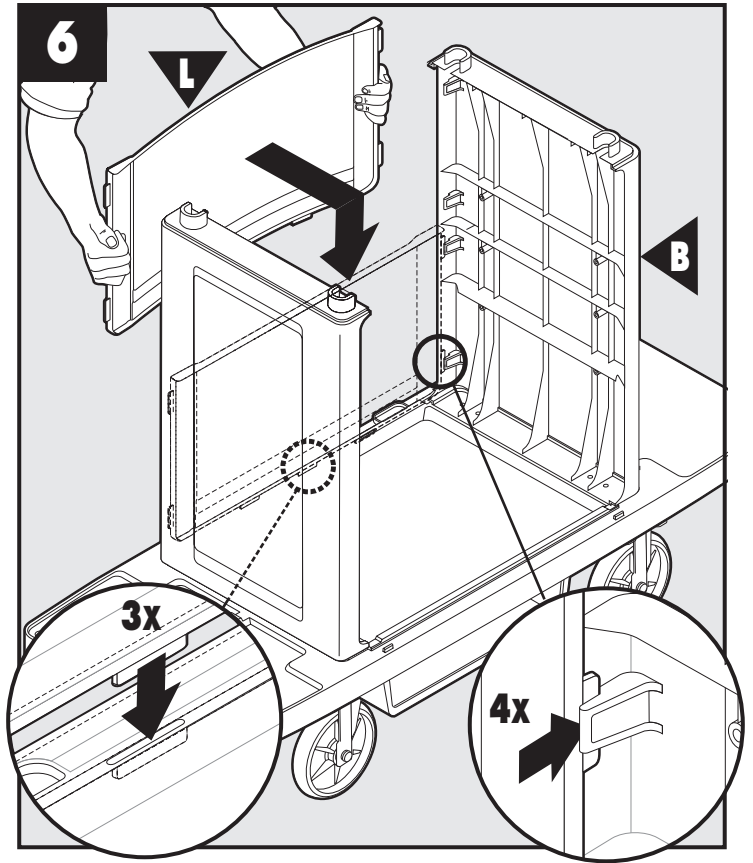
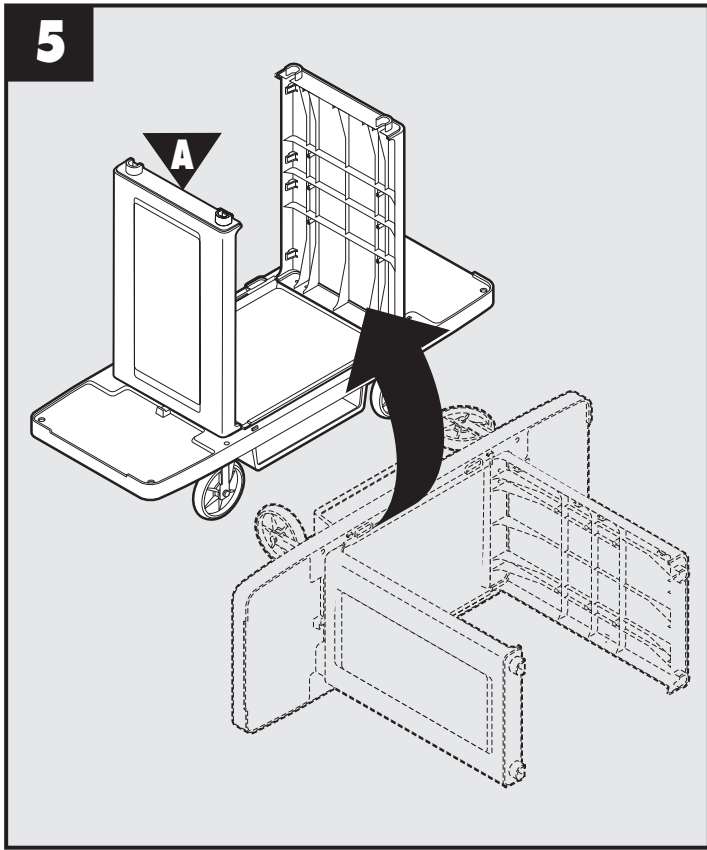


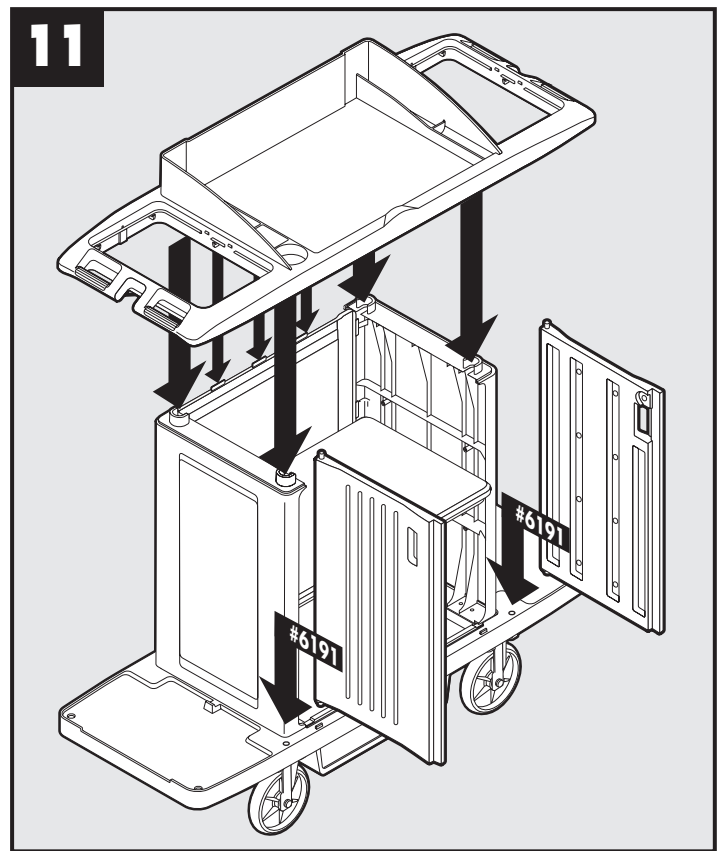
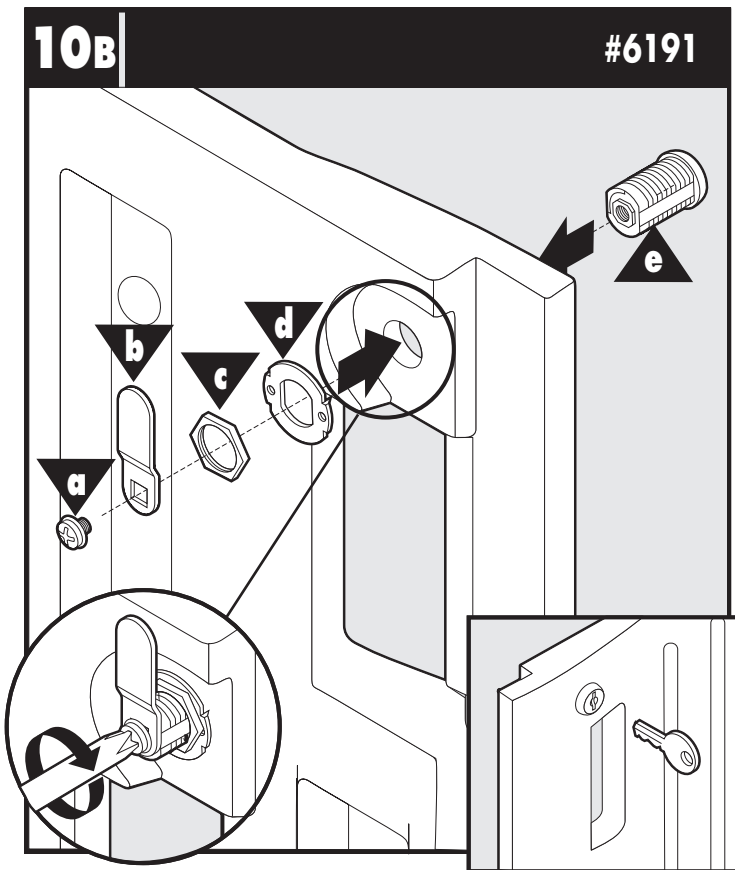
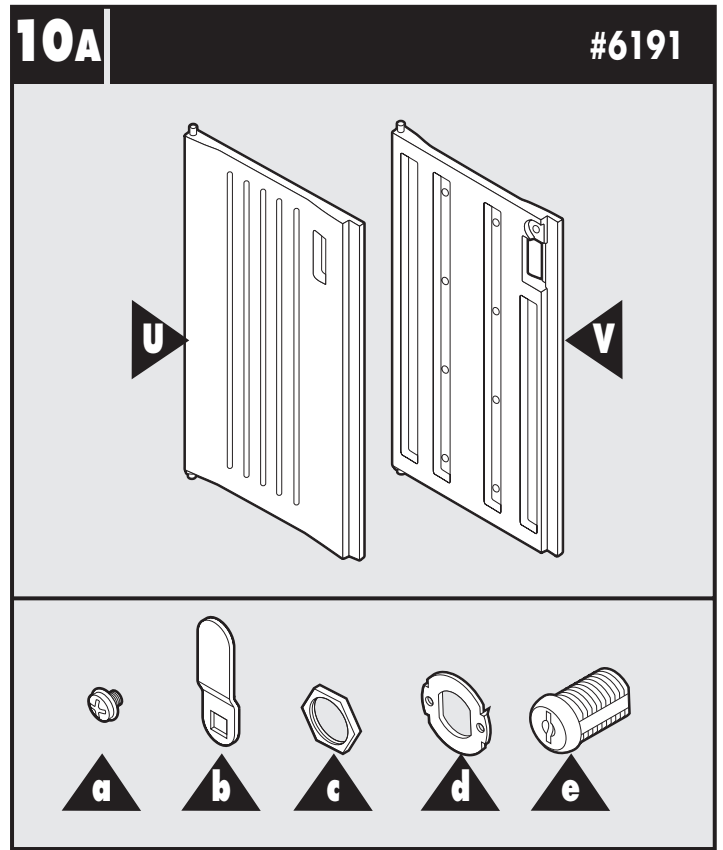
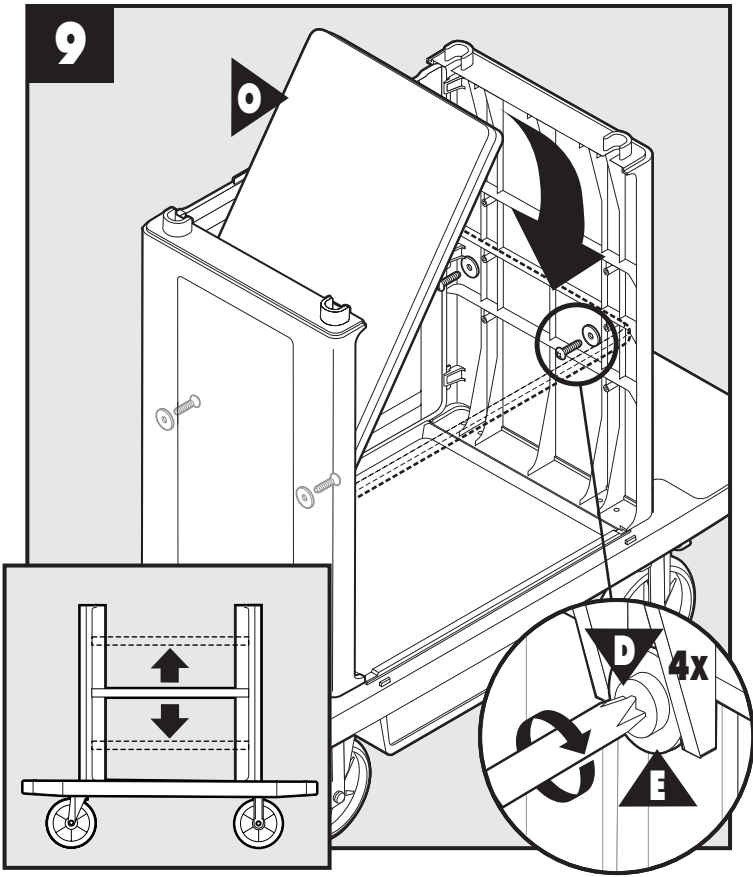
# Rubbermaid®

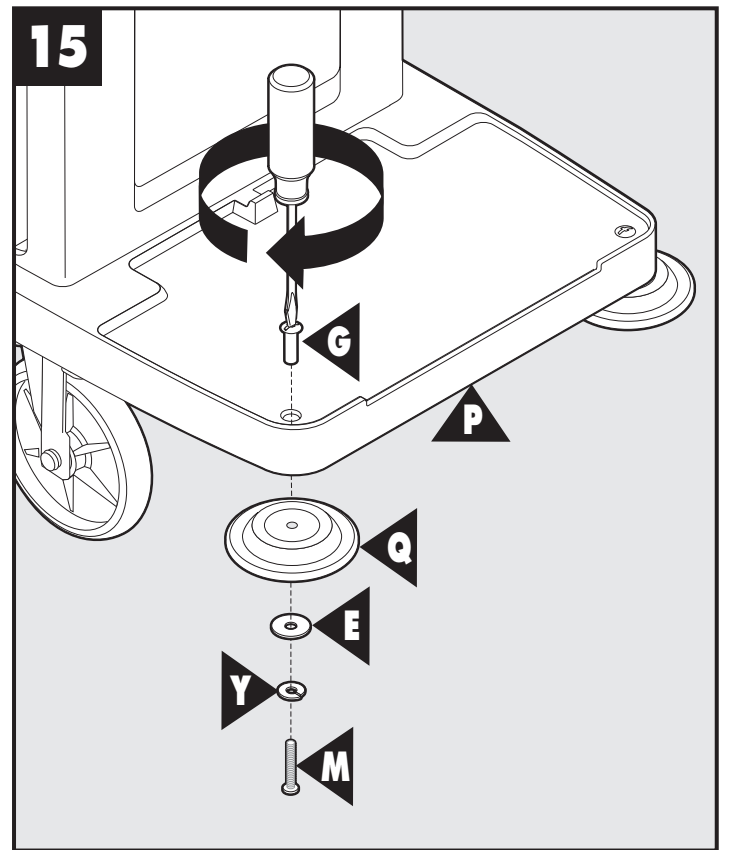
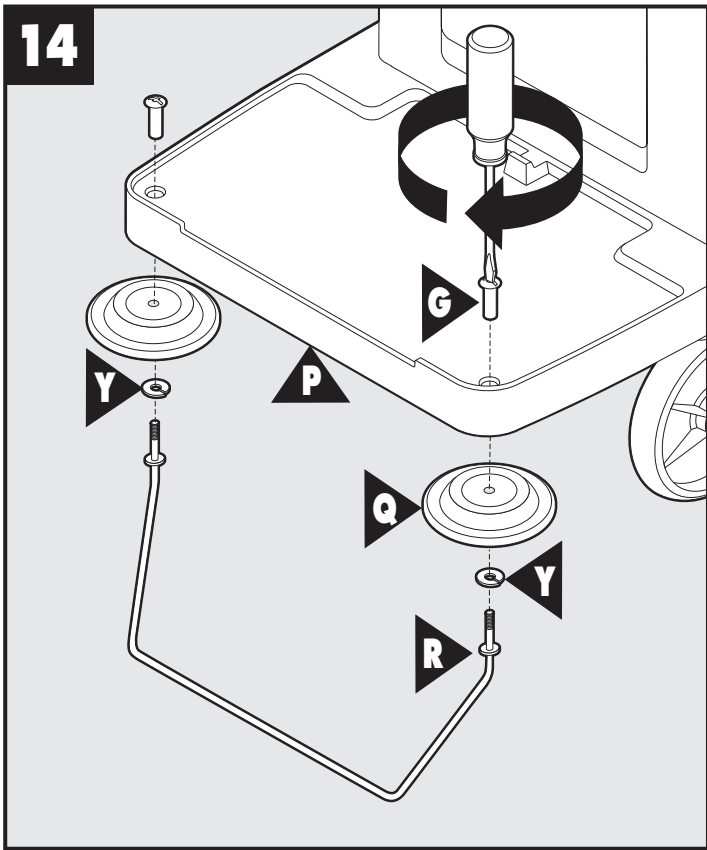
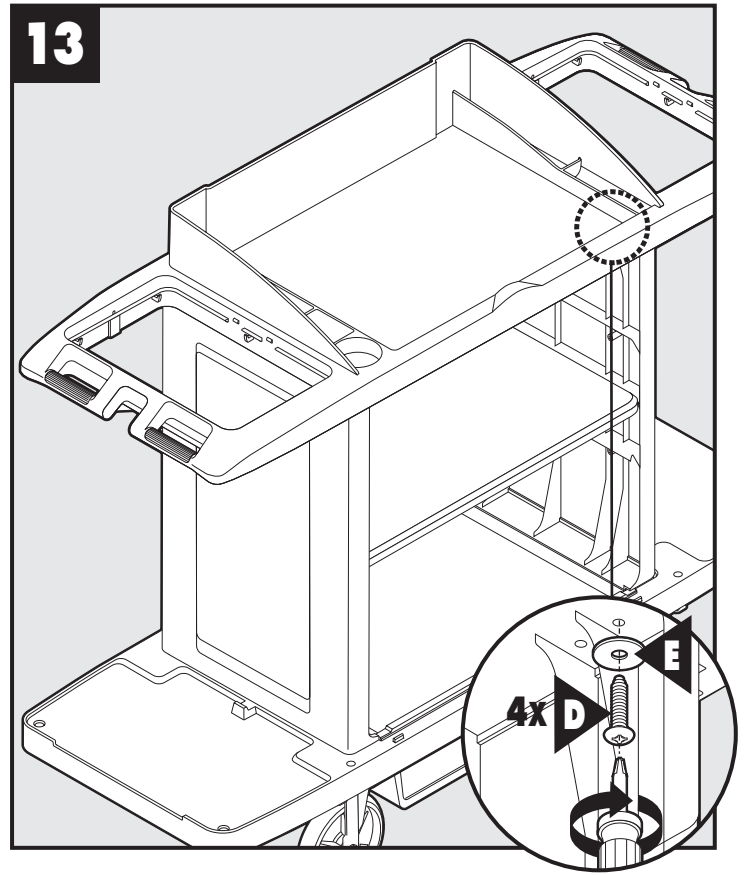
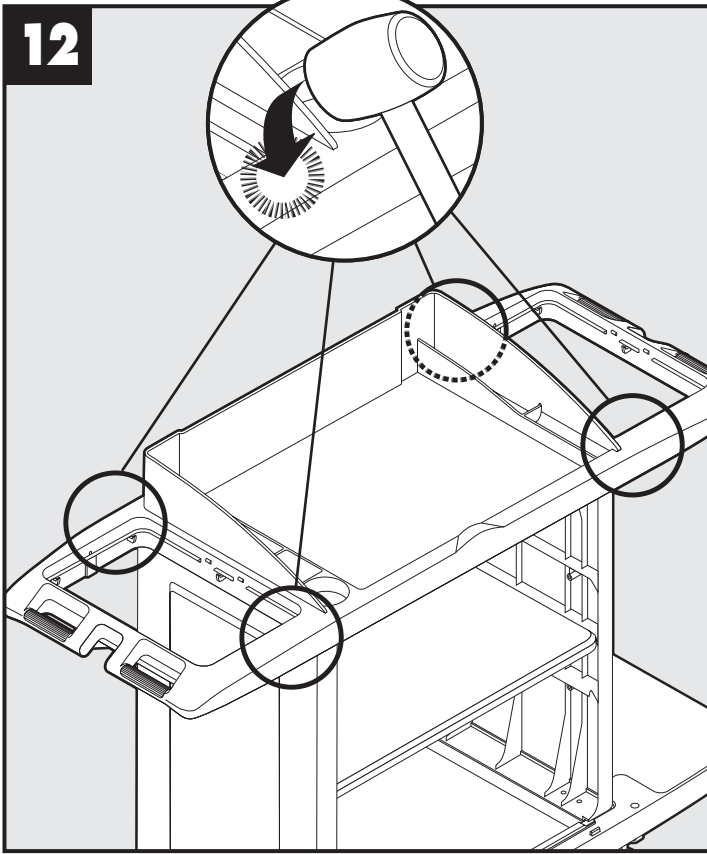
## Commercial Products



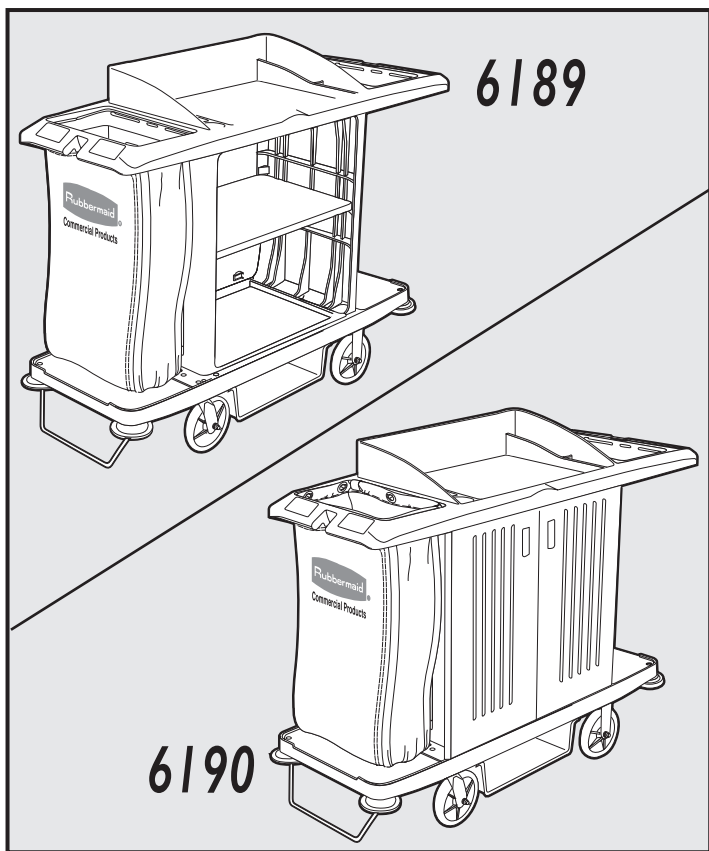
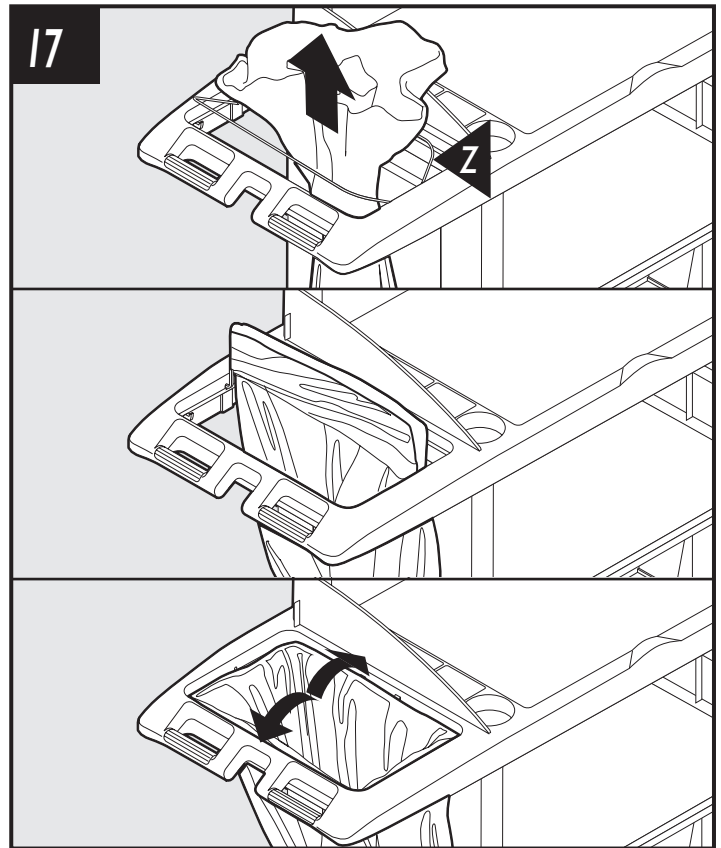
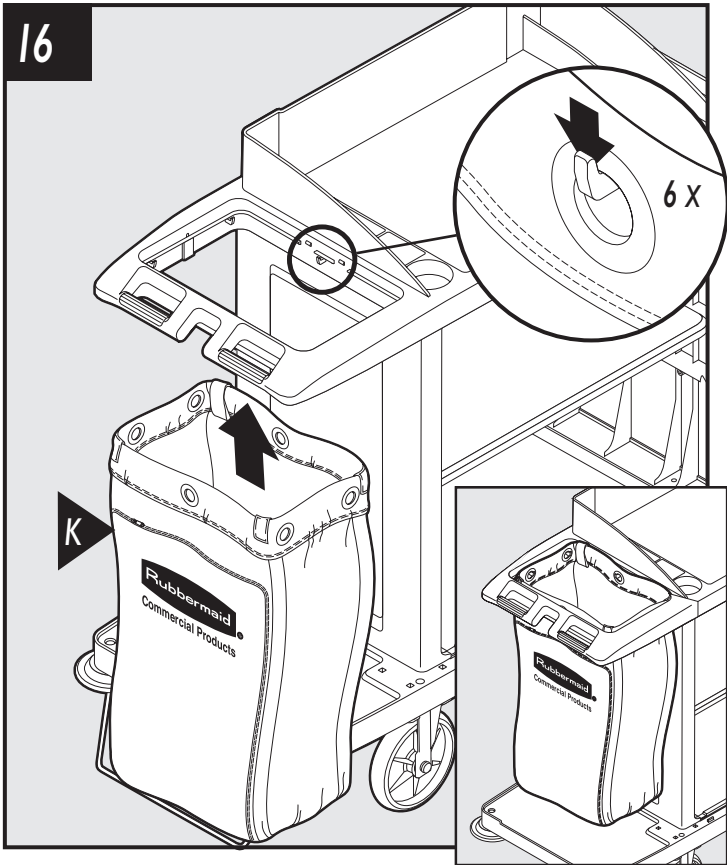












Products manufactured under quality management  
system registered to ISO 9002  
©2001 Rubbermaid Commercial Products LLC  
Printed in U.S.A. 6/01  
**Product #6189/6191**  
Instruction #70-6189-00

**Rubbermaid**®  
**Commercial Products**

Rubbermaid Commercial Products LLC  
3124 Valley Avenue  
Winchester, VA 22601 U.S.A.  
Phone: 540-667-8700  
Fax: 540-542-8770  
[www.rubbermaidcommercial.com](http://www.rubbermaidcommercial.com)